

Product datasheet

Specifications



circuit breaker EasyPact EZC100N - TMD - 45 A - 1 pole 1d

EZC100N1045

⚠ Discontinued on: 19 Apr 2022

⚠ End-of-service on: 19 Aug 2023

⚠ Discontinued

Main

Range of product	EasyPact
Product or component type	Circuit breaker
Device short name	Easypact EZC100N
Circuit breaker name	Easypact EZC100N
Device application	Distribution
Poles description	1P
Protected poles description	1t
Network type	DC AC
Network frequency	50/60 Hz
[In] rated current	45 A at 40 °C
[Ui] rated insulation voltage	690 V AC 50/60 Hz conforming to IEC 60947-2
[Uimp] rated impulse withstand voltage	6 kV conforming to IEC 60947-2
[Ue] rated operational voltage	125 V DC conforming to IEC 60947-2 415 V AC 50/60 Hz conforming to IEC 60947-2
Breaking capacity code	N
Breaking capacity	25 kA Icu at 110...130 V AC 50/60 Hz conforming to IEC 60947-2 5 kA Icu at 125 V DC 1P conforming to IEC 60947-2 18 kA Icu at 220...240 V AC 50/60 Hz conforming to IEC 60947-2 2.5 kA Icu at 380...400 V AC 50/60 Hz conforming to IEC 60947-2 2.5 kA Icu at 415 V AC 50/60 Hz conforming to IEC 60947-2
[Ics] rated service breaking capacity	2.5 kA at 125 V DC conforming to IEC 60947-2 9 kA at 220...240 V AC 50/60 Hz conforming to IEC 60947-2 1.25 kA at 380...400 V AC 50/60 Hz conforming to IEC 60947-2 1.25 kA at 415 V AC 50/60 Hz conforming to IEC 60947-2 12.5 kA at 110...130 V AC 50/60 Hz conforming to IEC 60947-2
Suitability for isolation	Yes conforming to IEC 60947-2
Utilisation category	Category A
Trip unit name	TM-D
Trip unit technology	Thermal-magnetic
Trip unit rating	45 A at 50 °C
Protection type	Overload protection Short-circuit protection
Pollution degree	3 conforming to IEC 60947

Complementary

Control type	Toggle
Mounting mode	Fixed
Mounting support	Backplate
Upside connection	Front
Downside connection	Front
Mechanical durability	13000 cycles
Connection pitch	25 mm
Local signalling	Positive contact indication
Neutral protection setting	Without protection
Earth-leakage protection	Without
Height	130 mm
Width	25 mm
Depth	60 mm

Environment

Standards	GB/T 14048.2 EN/IEC 60947-1 EN/IEC 60947-2 JIS C8201-2-2
IP degree of protection	IP20 conforming to IEC 60529
IK degree of protection	IK07 conforming to EN 50102
Ambient air temperature for operation	-25...70 °C
Ambient air temperature for storage	-35...85 °C

Packing Units

Unit Type of Package 1	PCE
Number of Units in Package 1	1



Environmental Data

Schneider Electric aims to achieve Net Zero status by 2050 through supply chain partnerships, lower impact materials, and circularity via our ongoing “Use Better, Use Longer, Use Again” campaign to extend product lifetimes and recyclability.

[Environmental Data explained >](#)

[How we assess product sustainability >](#)



Environmental footprint

[Environmental Disclosure](#)

[Product Environmental Profile](#)

Use Better



Materials and Substances

[EU RoHS Directive](#)

Compliant

Use Longer



Lifetime extension

Repair

No

Use Again



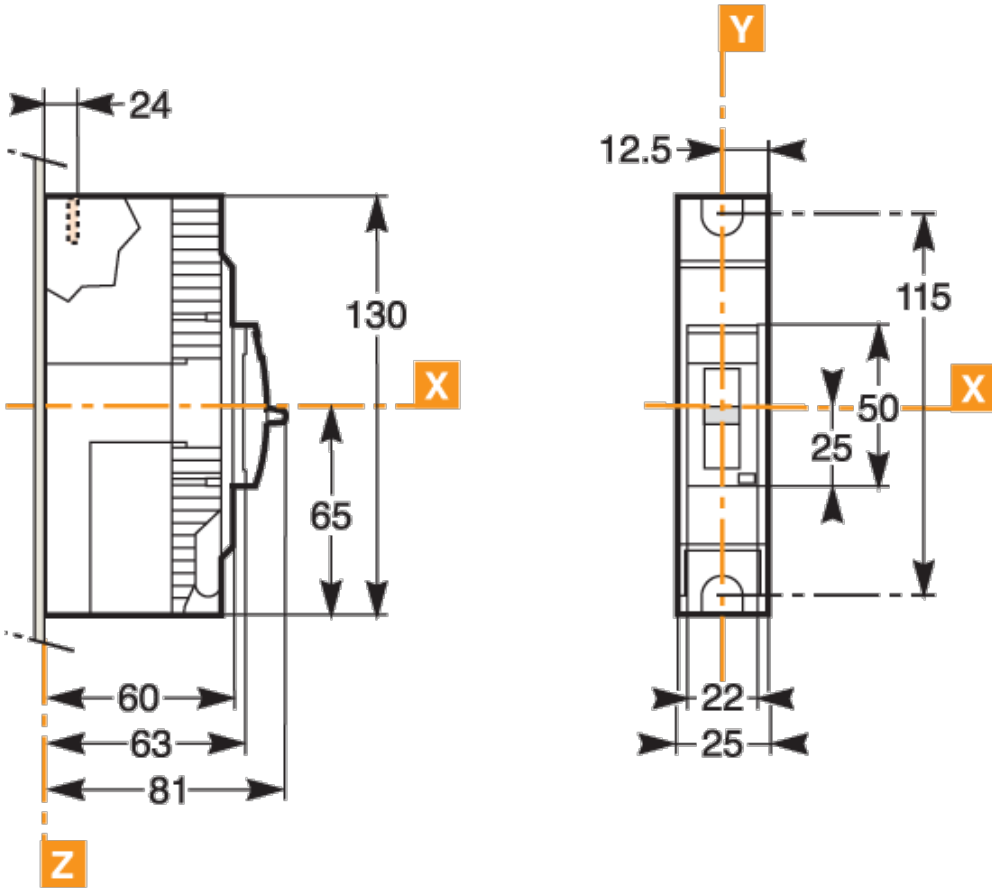
Repack and remanufacture

WEEE Label

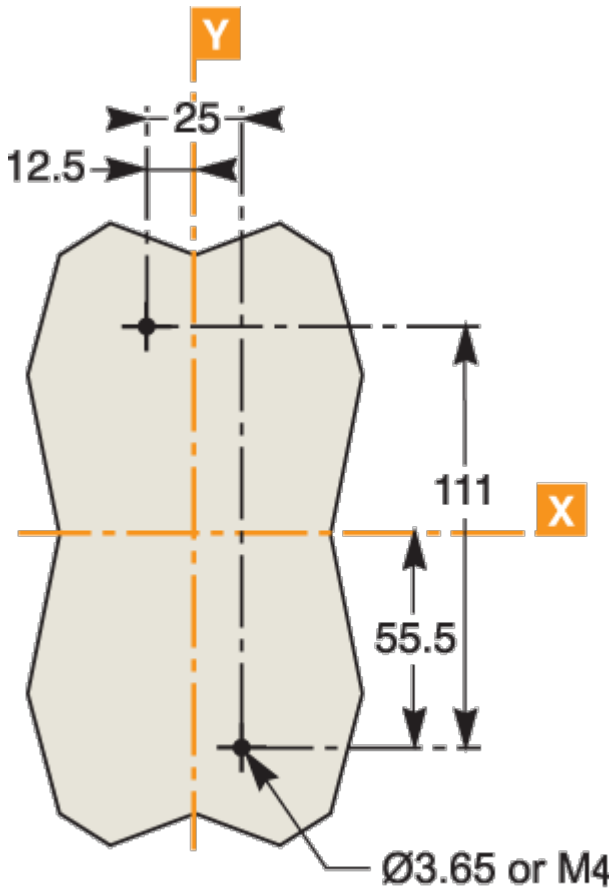


The product must be disposed on European Union markets following specific waste collection and never end up in rubbish bins

Dimensions Drawings



Assembly



Performance Curves

