

# Product data sheet

Specifications



## Power relay, SE Relays, DPDT, 40A, 240 VAC, auxiliary switch, open type

199AMX-15

⚠ Discontinued on: Oct 22, 2024

⚠ Discontinued

**Product availability: Non-Stock - Not normally stocked in distribution facility**

### Main

Product Type	Power relay
Switch Function	DPDT
Contact Composition	2 C/O
Accessory Type	Auxiliary switch
Cover Type	Open cover

### Complementary

Input Current	40 A
Short Circuit Current	3 kA
Associated Fuse Rating	50 A gG at 690 V coordination type 2 for power circuit
Average Pole Impedance	4 mOhm
Contacts Material	Silver alloy contacts
Wire Strip Length	0.3 in (8 mm)
Rated Operational Voltage	6...600 V AC 50-60 Hz 6...250 V DC
Minimum Switching Current	1000 mA 5 V AC/DC
Coil Resistance	1200 Ohm
Input voltage	240 V AC
Drop-out Voltage Threshold	$\geq 0.1 U_c$ AC/DC
Rated Operational Current	40 A at 300 V AC (on resistive load) conforming to UL 40 A at 28 V DC (on resistive load) conforming to UL 5 A at 480 V AC (on resistive load) conforming to UL 5 A at 600 V AC (on resistive load) conforming to UL 15 A at 120 V AC (tungsten filament) conforming to UL
Power consumption in W	4 W DC
Power consumption in VA	10 VA AC
Voltage Range	0.85...1.1 $U_n$ AC/DC
Maximum Switching Voltage	600 V AC
Motor Power HP	2 hp 120...600 V AC 50/60 Hz
Connections Terminals	screw terminal - 1 x 0.009 in <sup>2</sup> (6 mm <sup>2</sup> )
Terminal Tightening Torque	10.6...15.05 lbf.in (1.2...1.7 N.m)

### Environment

Price is "List Price" and may be subject to a trade discount – check with your local distributor or retailer for actual price.

<b>Ambient Air Temperature for Operation</b>	-67...131 °F (-55...55 °C)
<b>Ambient Air Temperature for Storage</b>	-67...212 °F (-55...100 °C)
<b>Product Certifications</b>	UL Listed CSA CE
<b>Electrical Durability</b>	50000 cycles resistive
<b>Dielectric Strength</b>	2200 V AC between coil and contact 2200 V AC between poles 1500 V AC between open contacts

## Ordering and shipping details

<b>Category</b>	US10CP221127
<b>Discount Schedule</b>	0CP2
<b>GTIN</b>	3606481104410
<b>Returnability</b>	No

## Packing Units

<b>Unit Type of Package 1</b>	PCE
<b>Nbr. of units in pkg.</b>	1
<b>Package 1 Height</b>	2.31 in (5.88 cm)
<b>Package 1 Width</b>	4.28 in (10.87 cm)
<b>Package 1 Length</b>	2.50 in (6.36 cm)
<b>Package weight(Lbs)</b>	10.4 oz (295 g)

## Contractual warranty

<b>Warranty (in months)</b>	18
-----------------------------	----



## Environmental Data

Schneider Electric aims to achieve Net Zero status by 2050 through supply chain partnerships, lower impact materials, and circularity via our ongoing “Use Better, Use Longer, Use Again” campaign to extend product lifetimes and recyclability.

[Environmental Data explained >](#)

[How we assess product sustainability >](#)

### Use Better

<b>Materials and Substances</b>	
Packaging made with recycled cardboard	Yes
Packaging without single use plastic	No
<a href="#">EU RoHS Directive</a>	Pro-active compliance (Product out of EU RoHS legal scope)
REACH Regulation	<a href="#">REACH Declaration</a>
California proposition 65	<b>WARNING:</b> This product can expose you to chemicals including: Nickel compounds, which is known to the State of California to cause cancer, and Di-isodecyl phthalate (DIDP), which is known to the State of California to cause birth defects or other reproductive harm. For more information go to <a href="http://www.P65Warnings.ca.gov">www.P65Warnings.ca.gov</a>

### Use Longer

<b>Lifetime extension</b>	
Repair	No

### Use Again

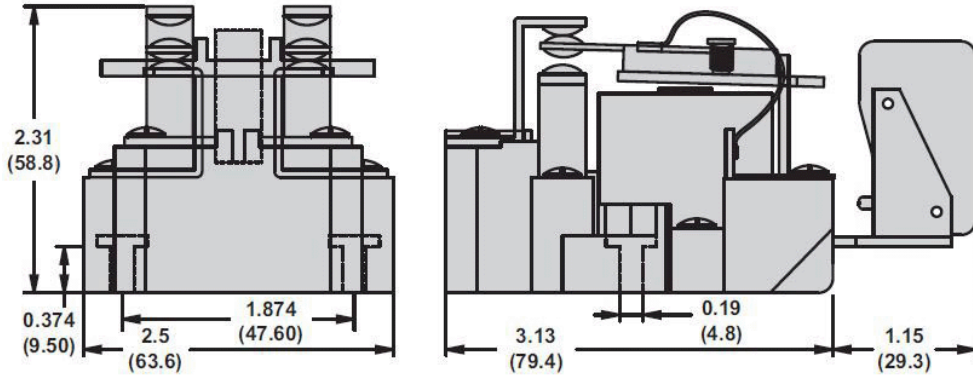
<b>Repack and remanufacture</b>	
Circularity Profile	No need of specific recycling operations

Dimensions Drawings

Approximate Dimensions

---

DPDT – Long Base (shown w/optional Auxiliary Switch)



Connections and Schema

Connections and Wiring Diagrams

---

