

Product datasheet

Specifications



Miniature plug in relay, Harmony, 5A, 4CO, with LED, 12V DC

RXM4NB3JD

⚠ Discontinued on: 15 Aug 2024

⚠ Discontinued

Main

Range of product	Harmony Electromechanical Relays
Series name	Miniature
Product or component type	Plug-in relay
Device short name	RXM
[Uc] control circuit voltage	12 V DC
Contacts type and composition	4 C/O
status LED	With
Control type	Without lockable test button
[Ithe] conventional enclosed thermal current	3 A at -40...55 °C

Complementary

[Uimp] rated impulse withstand voltage	2.5 kV during 1.2/50 µs
[Ie] rated operational current	5 A at 28 V (DC) NO conforming to IEC 5 A at 250 V (AC) NO conforming to IEC 2.5 A at 28 V (DC) NC conforming to IEC 2.5 A at 250 V (AC) NC conforming to IEC
Minimum switching capacity	170 mW at 10 mA, 17 V
Electrical durability	100000 cycles for resistive load depending on mounting position and working environment
Rated operational voltage limits	9.6...13.2 V DC
[Ui] rated insulation voltage	250 V conforming to IEC
Maximum switching voltage	250 V AC conforming to IEC 28 V DC
Drop-out voltage threshold	$\geq 0.1 U_c$
Load current	5 A at 250 V AC 5 A at 28 V DC
Operating time	20 ms
Maximum switching capacity	1250 VA/140 W
Average resistance	160 Ohm at 20 °C +/- 10 %
Average coil consumption	1.2 W, DC 1.4 VA, AC
Mechanical durability	10000000 cycles
Operating rate	≤ 1200 cycles/hour under load ≤ 18000 cycles/hour no-load

Utilisation coefficient	20 %
reset time	20 ms
Dielectric strength	1000 V AC between contacts with micro disconnection 1800 V AC between coil and contact 1550 V AC between poles
Compatibility code	RXM
Protection category	RT I
Pollution degree	2
Operating position	Any position
Test levels	Level A group mounting
Device presentation	Complete product
Contacts material	AgNi
Shape of pin	Flat
Net weight	0.037 kg

Environment

Ambient air temperature for operation	-40...55 °C
IP degree of protection	IP40 conforming to IEC 60529
Standards	IEC 61810-1
Product certifications	CE
Ambient air temperature for storage	-40...85 °C
Vibration resistance	3 gn, amplitude = +/- 1 mm (f = 10...55 Hz)without clip 6 gn, amplitude = +/- 1 mm (f = 10...55 Hz)with clip
Shock resistance	10 gn (duration = 11 ms) for without clip 30 gn (duration = 11 ms) for with clip

Packing Units

Unit Type of Package 1	PCE
Number of Units in Package 1	1
Package 1 Height	4.6 cm
Package 1 Width	2.75 cm
Package 1 Length	2.08 cm
Package 1 Weight	35 g
Unit Type of Package 2	BB1
Number of Units in Package 2	10
Package 2 Height	3.2 cm
Package 2 Width	10.4 cm
Package 2 Length	12.6 cm
Package 2 Weight	350 g
Unit Type of Package 3	S02
Number of Units in Package 3	270
Package 3 Height	15 cm
Package 3 Width	30 cm

Package 3 Length	40 cm
------------------	-------

Package 3 Weight	9910 g
------------------	--------

Contractual warranty

Warranty (in months)	18
----------------------	----



Environmental Data

Schneider Electric aims to achieve Net Zero status by 2050 through supply chain partnerships, lower impact materials, and circularity via our ongoing “Use Better, Use Longer, Use Again” campaign to extend product lifetimes and recyclability.

[Environmental Data explained >](#)

[How we assess product sustainability >](#)

Use Better



Materials and Substances

Packaging made with recycled cardboard	Yes
Packaging without single use plastic	Yes
EU RoHS Directive	Compliant
REACH Regulation	Free of Substances of Very High Concern above the threshold

Use Longer

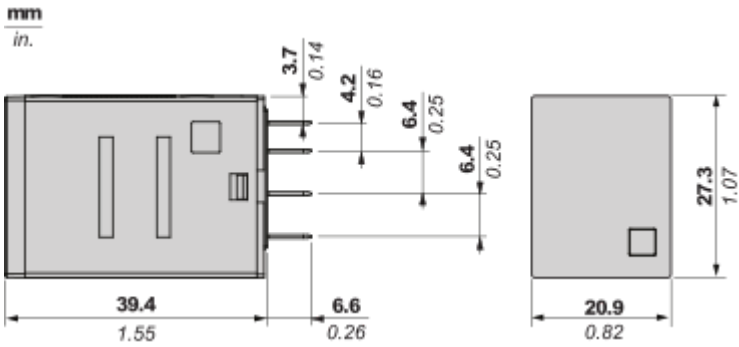


Lifetime extension

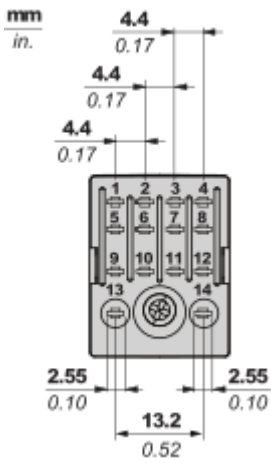
Repair	No
--------	----

Dimensions Drawings

Dimensions



Pin Side View



Connections and Schema

Wiring Diagram

