

Product data sheet

Specifications



Panel PC, Harmony P6, display size 15.6 inch, 2 core

HMIP6AFB0NA0DNAN00

Main

Range of product	Harmony P6
Product or component type	Modular box PC Touch panel screen
Software package	Node-RED preinstalled EcoStruxure Machine SCADA Expert run time (on configured offer) EcoStruxure Operator Terminal Expert run time (on configured offer) AVEVA system platform installer (on configured offer) EcoStruxure secure connect (license to be purchased separately) Stratus EverRun (exchange partner) (license to be purchased separately) Trellix (license to be purchased separately)

Complementary

Display size	15.6 inch
Aspect ratio	16:9
Display type	LED
Display resolution	4096 x 2304 pixels at 60 Hz
Display colour	16 million colours
Pixel resolution	1024 x 768
Backlight lifespan	50000 hours at 77 °F (25 °C)
Number of slots	1 slot(s) for optional interface
[Us] rated supply voltage	12...24 V DC power supply
Supply voltage limits	9...36 V
Type of cooling	Fanless
Inrush current	30 A
Device mounting	Panel mounting VESA mounting
Cut-out dimensions	394 (+ 1/- 0) x 250 (+ 1/- 0) mm
Width	16.06 in (408 mm)
Depth	2.6 in (67 mm)
Height	10.4 in (264 mm)
Net weight	12.6 lb(US) (5.7 kg)

Environment

Standards	EN/IEC 61000-4-2 IEC 61000-4-4 FCC part 15 UL 61010-2-201
-----------	--

Pollution degree	2
Product certifications	CE CULus UL 61010-2-201 CSA RCM UKCA DNV ATEX zone 2 ATEX zone 22 dust CULus Class 1 Division 2 IECEX zone 2 IECEX zone 22
IP degree of protection	IP20 conforming to IEC 61131-2 IP66f IP67f
Operating altitude	2000 m
NEMA degree of protection	NEMA 4X/13
Ambient air temperature for operation	32...131 °F (0...55 °C) panel side 32...131 °F (0...55 °C) book mounting side 32...131 °F (0...55 °C) flat mounting top 32...131 °F (0...55 °C) panel top 32...122 °F (0...50 °C) panel with 19" W, 22" W display) side
Ambient air temperature for storage	-4...140 °F (-20...60 °C)
Relative humidity	10...90 % non-condensing
Vibration resistance	9.8 m/s ² 9...150 Hz) - M.2 SSD - IEC 61131-2
Shock resistance	147 m/s ² X, Y, Z directions for 3 times
Electromagnetic compatibility	Electrostatic discharge immunity test 6 kV contact discharge IEC 61000-4-2 level 3

Packing Units

Unit Type of Package 1	PCE
Number of Units in Package 1	1
Package 1 Height	16.8 in (42.6 cm)
Package 1 Width	19.4 in (49.4 cm)
Package 1 Length	5.6 in (14.3 cm)
Package 1 Weight	208.1 oz (5900 g)

Contractual warranty

Warranty (in months)	18
-----------------------------	----



Environmental Data

Schneider Electric aims to achieve Net Zero status by 2050 through supply chain partnerships, lower impact materials, and circularity via our ongoing “Use Better, Use Longer, Use Again” campaign to extend product lifetimes and recyclability.

[Environmental Data explained >](#)

[How we assess product sustainability >](#)



Environmental footprint

Total lifecycle Carbon footprint	2 934 kg CO2 eq.
Environmental Disclosure	Product Environmental Profile
Carbon footprint of the manufacturing phase [A1 to A3]	345 kg CO2 eq.
Carbon footprint of the distribution phase [A4]	0.9 kg CO2 eq.
Carbon footprint of the installation phase [A5]	2 kg CO2 eq.
Carbon footprint of the use phase [B2, B3, B4, B6]	2 580 kg CO2 eq.
Carbon footprint of the end-of-life phase [C1 to C4]	6 kg CO2 eq.

Use Better



Materials and Substances

F-gas usage performance	Only air and vacuum used for insulation / breaking, no F-gas including SF6
Packaging made with recycled cardboard	Yes
Packaging without single use plastic	No
SCIP Number	3e485f57-089b-461f-87ef-eb75768c4245
Halogen content performance	Product contains halogen above thresholds
PVC free	No
Silicon free	No

Use Longer



Lifetime extension

Repair	No
--------	----

Use Again



Repack and remanufacture

Recyclability potential, in %	55
Circularity Profile	End of Life Information
Removable battery	User replaceable
Take-back	No
WEEE Label	The product must be disposed on European Union markets following specific waste collection and never end up in rubbish bins

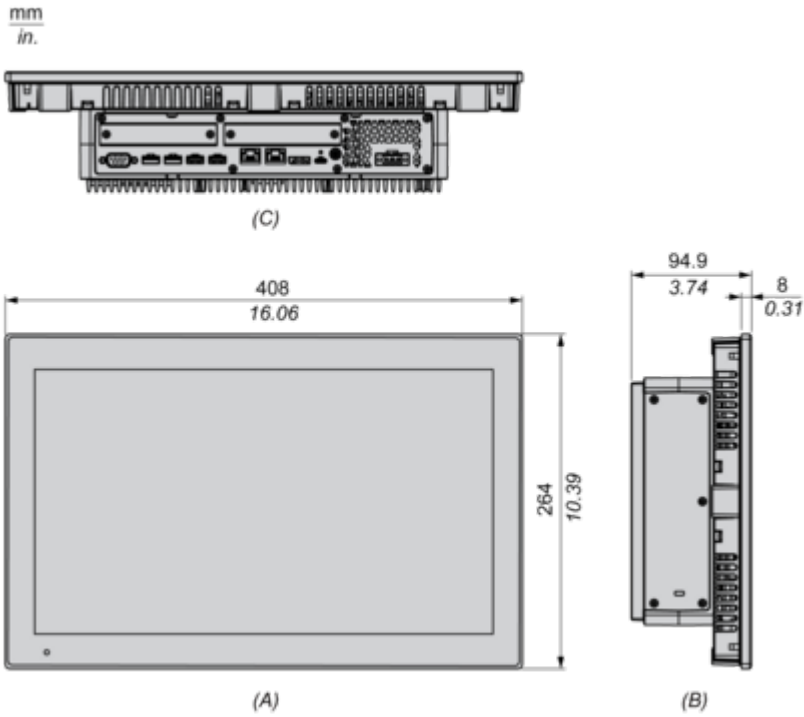
Product data sheet HMIP6AFB0NA0DNAN00

Dimensions Drawings

Dimensions

15-inch Wide Advanced Model

External Dimensions

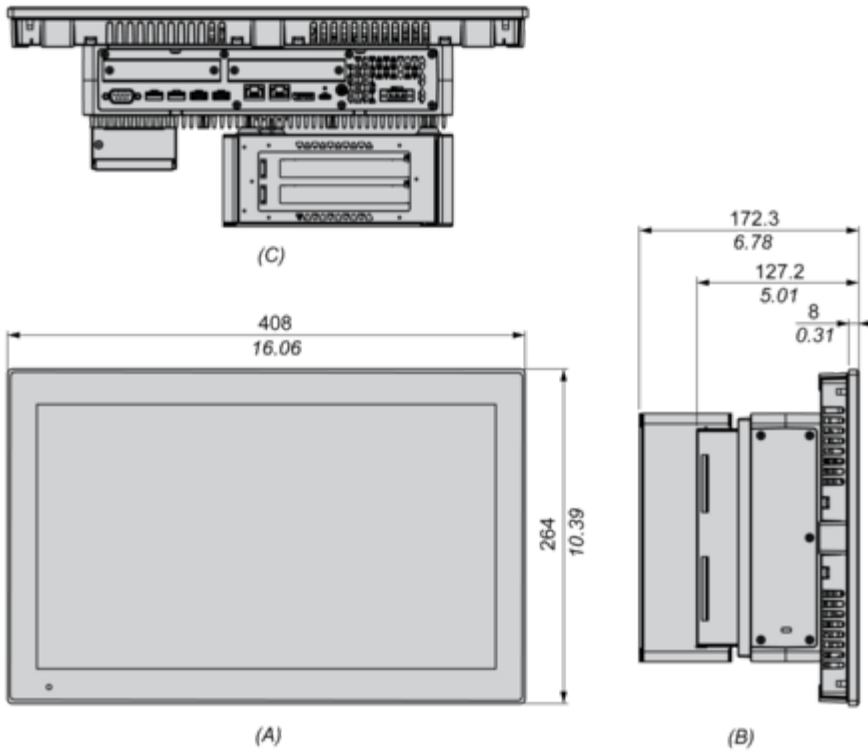


- (A) : Front
- (B) : Left
- (C) : Bottom

External Dimensions with PCI/PCIe Slots and FAN kit

Product data sheet HMIP6AFB0NA0DNAN00

mm
in.

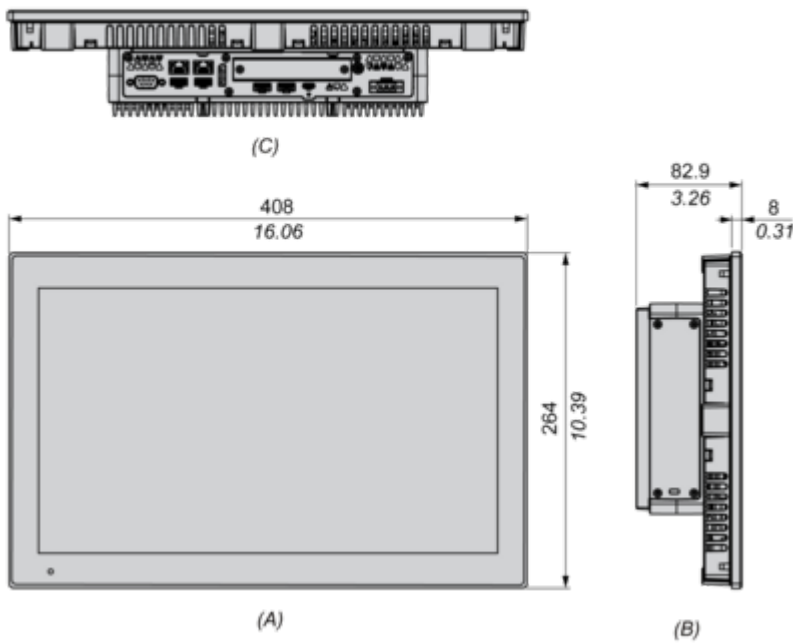


- (A) : Front
- (B) : Left
- (C) : Bottom

15-inch Wide Standard Model

External Dimensions

mm
in.



- (A) : Front
- (B) : Left

Product data sheet HMIP6AFB0NA0DNAN00

(C) : Bottom

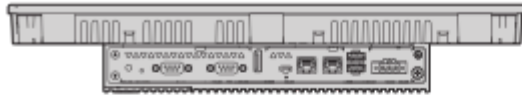
Product data sheet HMIP6AFB0NA0DNAN00

Dimensions

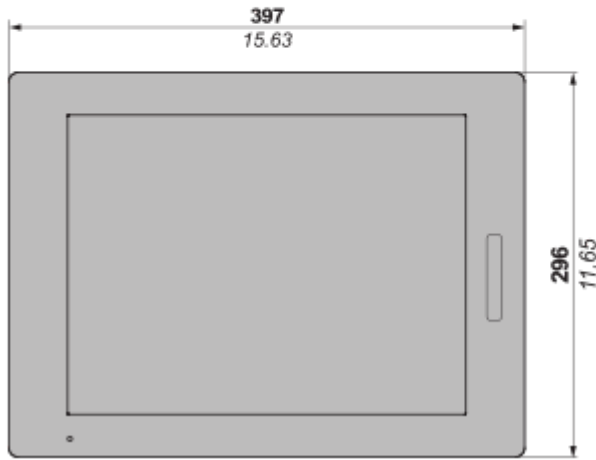
15-inch Basic Model

External Dimensions

mm
in



(3)



(A)



(B)

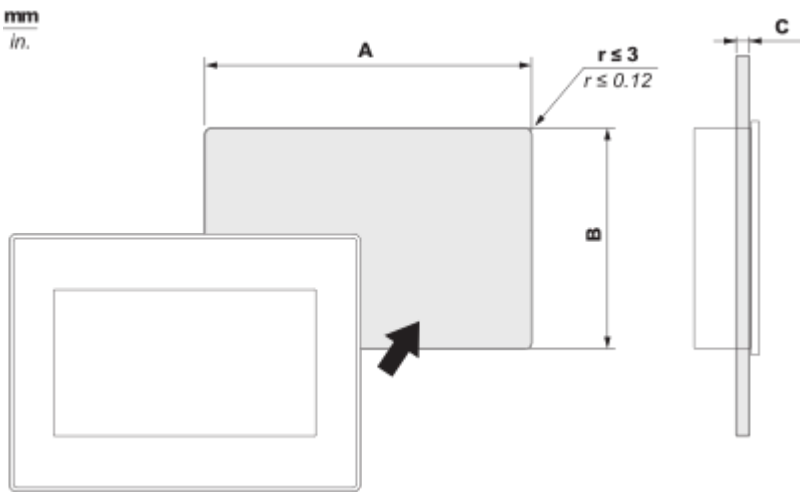
- (1) : Front
- (2) : Left
- (3) : Bottom

Product data sheet HMIP6AFB0NA0DNAN00

Mounting and Clearance

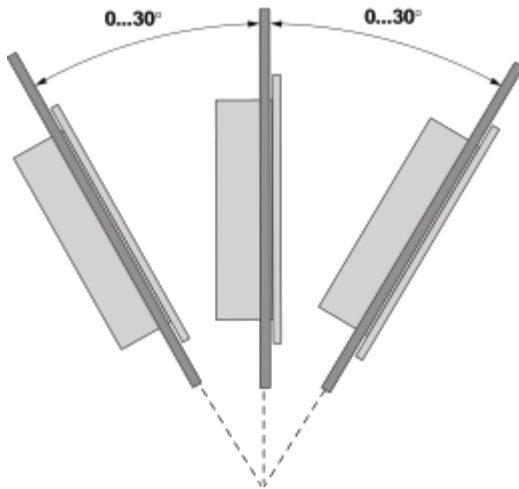
Mounting

Panel Cut Dimensions



A		B		C	
mm	in.	mm	in.	mm	in.
394 (+1, -0)	15.51 (+0.04, -0)	250 (+1, -0)	9.84 (+0.04, -0)	1.6...5	0.06...0.2

Mounting Angle

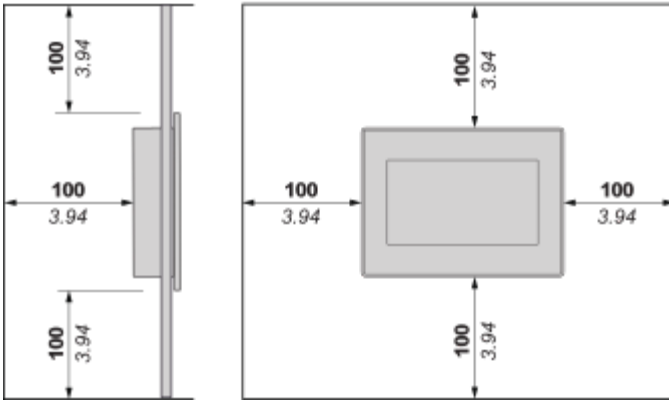


When installing this product in a slanted position, the product face should not incline more than 30° .

Clearance

Product data sheet HMIP6AFB0NA0DNAN00

mm
in.



Product data sheet HMIP6AFB0NA0DNAN00

Technical Illustration

Dimensions

mm
in.

15-inch Wide Basic Model

