

Product data sheet

Specifications



Power relay, SE Relays, 12A, 3PDT, 12 VDC, hermetically sealed contacts, hazardous location series

750XCXH-12D

⚠ Discontinued on: Oct 22, 2024

⚠ Discontinued

Product availability: Non-Stock - Not normally stocked in distribution facility

Main

Product Type	Relay
Switch Function	3PDT
Contact Composition	3 NO + 3 NC

Complementary

Input Current	12 A
Contacts Material	Silver alloy contacts
Minimum Switching Current	100 mA 5 V
Coil Resistance	120 Ohm
Input voltage	12 V DC
Drop-out Voltage Threshold	$\geq 0.15 U_c$ AC $\geq 0.1 U_c$ DC
Rated Operational Current	12 A at 120 V AC conforming to UL 12 A at 240 V AC conforming to UL 12 A at 28 V DC conforming to UL
Power consumption in W	1.2 W DC
Voltage Range	0.8...1.1 U_n AC/DC
Maximum Switching Voltage	300 V
Motor Power HP	0.5 hp 240 V AC 50/60 Hz 0.33 hp 120 V AC 50/60 Hz
Connections Terminals	octal terminal - 11 pins
Mounting	Socket
Height	2.07 in (52.5 mm)
Width	1.4 in (36.5 mm)
Depth	1.6 in (41.2 mm)
Product Weight	4.6 oz (130 g)
Operating Time	20 ms

Environment

Ambient Air Temperature for Operation	-40...131 °F (-40...55 °C)
Ambient Air Temperature for Storage	-40...185 °F (-40...85 °C)

Price is "List Price" and may be subject to a trade discount – check with your local distributor or retailer for actual price.

Product Certifications	UL CSA
Electrical Durability	100000 cycles resistive
Mechanical Durability	10000000 cycles
IP Degree of Protection	IP67
Dielectric Strength	1600 V AC between coil and contact 1600 V AC between poles 1500 V AC between open contacts
Shock Resistance	10 gn
Vibration Resistance	3 gn 35...150 Hz)operating +/- 1 mm 10...35 Hz)operating 6 gn 35...150 Hz)not operating +/- 1 mm 10...35 Hz)not operating

Ordering and shipping details

Category	US10CP221127
Discount Schedule	0CP2
GTIN	3606480780387
Returnability	No

Packing Units

Unit Type of Package 1	PCE
Nbr. of units in pkg.	1
Package 1 Height	1.62 in (4.12 cm)
Package 1 Width	1.44 in (3.65 cm)
Package 1 Length	2.07 in (5.25 cm)
Package weight(Lbs)	4.6 oz (130 g)

Contractual warranty

Warranty (in months)	18
-----------------------------	----



Environmental Data

Schneider Electric aims to achieve Net Zero status by 2050 through supply chain partnerships, lower impact materials, and circularity via our ongoing “Use Better, Use Longer, Use Again” campaign to extend product lifetimes and recyclability.

[Environmental Data explained >](#)

[How we assess product sustainability >](#)



Environmental footprint

Total lifecycle Carbon footprint	20 kg CO2 eq.
Environmental Disclosure	Product Environmental Profile
Carbon footprint of the manufacturing phase [A1 to A3]	0.9 kg CO2 eq.
Carbon footprint of the distribution phase [A4]	0 kg CO2 eq.
Carbon footprint of the installation phase [A5]	0 kg CO2 eq.
Carbon footprint of the use phase [B2, B3, B4, B6]	19 kg CO2 eq.
Carbon footprint of the end-of-life phase [C1 to C4]	0.3 kg CO2 eq.

Use Better



Materials and Substances

Packaging made with recycled cardboard	Yes
Packaging without single use plastic	Yes
EU RoHS Directive	Pro-active compliance (Product out of EU RoHS legal scope)
REACH Regulation	REACH Declaration
California proposition 65	WARNING: This product can expose you to chemicals including: Nickel compounds, which is known to the State of California to cause cancer, and Di-isodecyl phthalate (DIDP), which is known to the State of California to cause birth defects or other reproductive harm. For more information go to www.P65Warnings.ca.gov

Use Longer



Lifetime extension

Repair	No
--------	----

Use Again

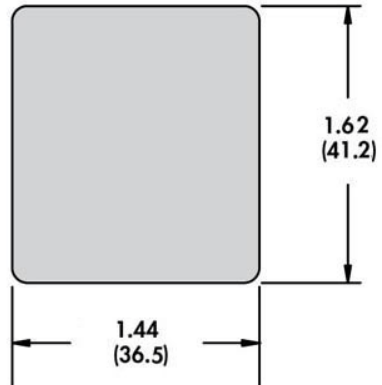
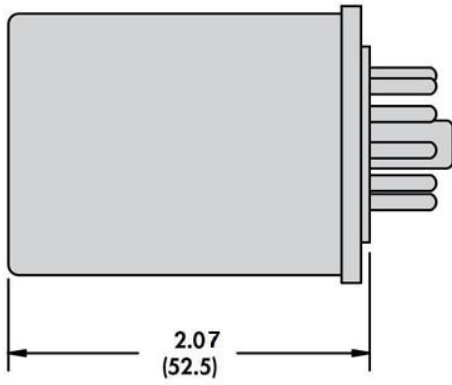


Repack and remanufacture

Circularity Profile	End of Life Information
---------------------	---

Dimensions Drawings

Approximate Dimensions



Connections and Schema

Connections and Wiring Diagrams

