

Product datasheet

Specifications



passive filter - 23 A - 400 V - 50 Hz - for variable speed drive

VW3A46123

Price: 80,625.19 ZAR

Main

Product or component type	Passive filter
Product specific application	Reduction of current harmonics

Complementary

Range compatibility	Altivar 61 Altivar Process ATV900 Altivar Process ATV600 Altivar 71
[Us] rated supply voltage	400 V +/- 10 %
power supply frequency	50 Hz +/- 2 %
Quantity per drive	1 filter per drive for variable speed drive ATV61W motor: 11 kW/15 hp 1 filter per drive for variable speed drive ATV61H motor: 11 kW/15 hp 1 filter per drive for variable speed drive ATV71H motor: 11 kW/15 hp 1 filter per drive for variable speed drive ATV71P motor: 11 kW/15 hp 1 filter per drive for variable speed drive ATV71W motor: 11 kW/15 hp 1 filter per drive for variable speed drive ATV630 wall mount, motor: 11 kW/15 hp 1 filter per drive for variable speed drive ATV650 wall mount, motor: 11 kW/15 hp 1 filter per drive for variable speed drive ATV930 wall mount, motor: 11 kW/15 hp 1 filter per drive for variable speed drive ATV950 wall mount, motor: 11 kW/15 hp
[In] rated current	22 A for input 23 A for output
Network number of phases	3 phases
THDI	10 % for variable speed drive ATV61H motor: 11 kW/15 hp 10 % for variable speed drive ATV71H motor: 11 kW/15 hp 10 % for variable speed drive ATV71P motor: 11 kW/15 hp 10 % for variable speed drive ATV71W motor: 11 kW/15 hp 5 % for variable speed drive ATV61W motor: 11 kW/15 hp 5 % for variable speed drive ATV630 motor: 11 kW/15 hp 5 % for variable speed drive ATV650 motor: 11 kW/15 hp 5 % for variable speed drive ATV930 motor: 11 kW/15 hp 5 % for variable speed drive ATV950 motor: 11 kW/15 hp
Max current	1.5 x nominal current (duration = 60 s)
Efficiency	98 %
Thermal losses	258 W
Cos phi	1 (150 % of line current) 0.85 (75 % of line current) 0.99 (100 % of line current)
Electrical connection	X1-1...X2-3 terminal, connection capacity: 0.5...10 mm ² A, B terminal, connection capacity: 2.5 mm ²
Electrical insulation class	Class F
Net weight	30 kg

Environment

Excluding VAT and subject to change. Please check with your local distributor through "Where to buy"

IP degree of protection	IP20 IP55 (enclosure mounting)
Vibration resistance	2 mm peak to peak (f= 5...13.2 Hz) conforming to IEC 60068-2-6 0.7 gn (f= 13.2...150 Hz) conforming to IEC 60068-2-6
Relative humidity	5...85 % without condensation
Ambient air temperature for operation	45...60 °C (with current derating 3 % per °C) 5...45 °C (without current derating)
Ambient air temperature for storage	-25...55 °C storage in original packaging -25...65 °C during transport
Operating altitude	<= 1000 m without current derating > 1000...4000 m with current derating 5 % per 1000 m
Standards	IEC 61000-3-4 G5/4 engineering recommendation IEC 61000-3-12 IEC 61000-2-2 IEC 61000-2-4 IEC 61000-3-2

Packing Units

Unit Type of Package 1	PCE
Number of Units in Package 1	1
Package 1 Height	56.000 cm
Package 1 Width	60.000 cm
Package 1 Length	40.000 cm
Package 1 Weight	32.000 kg
Unit Type of Package 2	P06
Number of Units in Package 2	2
Package 2 Height	75.000 cm
Package 2 Width	80.000 cm
Package 2 Length	60.000 cm
Package 2 Weight	72.000 kg

Contractual warranty

Warranty (in months)	18
-----------------------------	----



Environmental Data

Schneider Electric aims to achieve Net Zero status by 2050 through supply chain partnerships, lower impact materials, and circularity via our ongoing “Use Better, Use Longer, Use Again” campaign to extend product lifetimes and recyclability.

[Environmental Data explained >](#)

[How we assess product sustainability >](#)

Use Better



Materials and Substances

Packaging made with recycled cardboard

No

Packaging without single use plastic

No

[EU RoHS Directive](#)

Pro-active compliance (Product out of EU RoHS legal scope)

Use Longer



Lifetime extension

Repair

No

Use Again



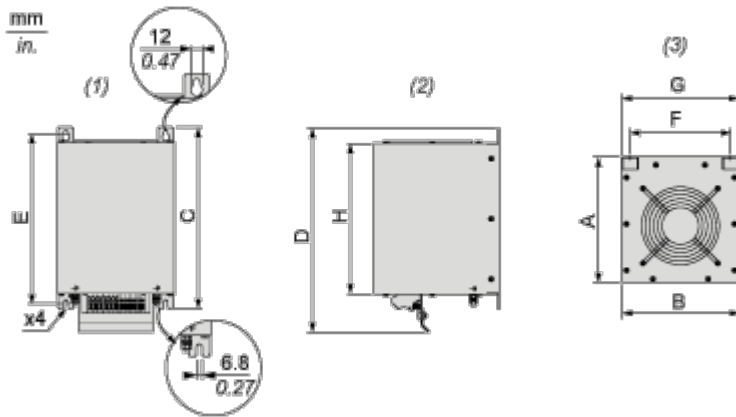
Repack and remanufacture

Take-back

No

Dimensions Drawings

Dimensions



- (1) Front view
- (2) Right side view
- (3) Top view

Dimensions in mm

A	B	C	D	E	F	G	H
247.5	232	399.55	436.11	380	205	230	350

Dimensions in in.

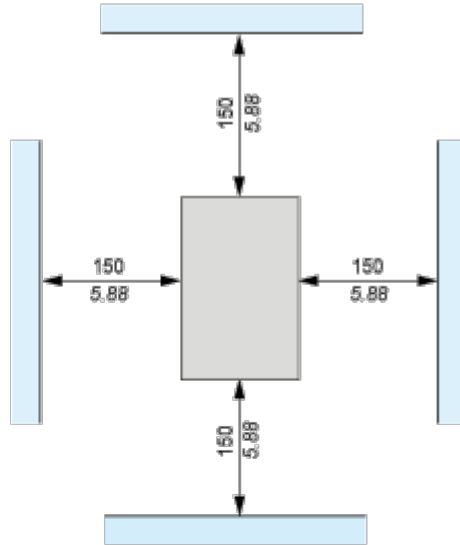
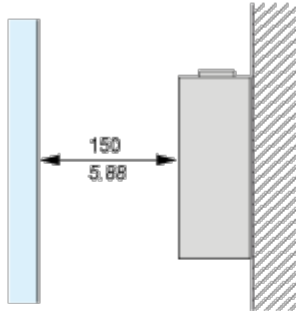
A	B	C	D	E	F	G	H
9.74	9.13	15.73	17.17	14.96	8.07	9.06	13.78

Mounting and Clearance

Mounting Recommendations

Vertical Mounting Only

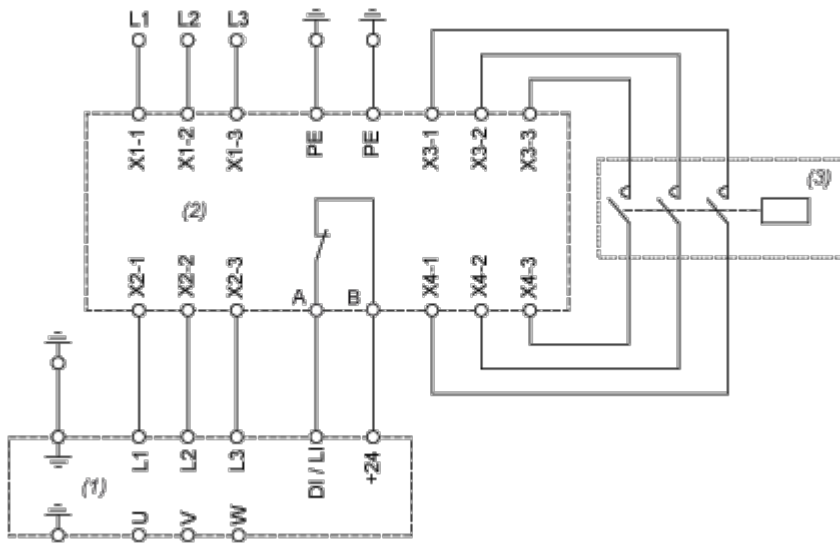
mm
in.



(1) Filter

Connections and Schema

Recommended Schema



- (1) Drive
- (2) Filter
- (3) Optional