



Main

Range of product	OsiSense XU
Series name	General purpose single mode
Electronic sensor type	Photo-electric sensor
Sensor name	XUM
Sensor design	Miniature
Detection system	Thru beam
Material	Plastic
Type of output signal	Discrete
Supply circuit type	DC
Wiring technique	3-wire
Discrete output type	PNP
Discrete output function	1 NO or 1 NC programmable
Electrical connection	1 male connector M8, 4 pins
Product specific application	-
Emission	Red thru beam
[Sn] nominal sensing distance	15 m thru beam

Complementary

Enclosure material	PBT
Lens material	PMMA
Output type	Solid state
Wire insulation material	PVC
Status LED	1 LED (red) for instability 1 LED (yellow) for output state
[Us] rated supply voltage	12...24 V DC
Switching capacity in mA	<= 100 mA (overload and short-circuit protection)
Switching frequency	<= 500 Hz
Voltage drop	<= 1.5 V (closed state)
Current consumption	35 mA (no-load)
Delay first up	30 ms
Delay response	1 ms


Disclaimer: This documentation is not intended as a substitute for and is not to be used for determining suitability or reliability of these products for specific user applications

Delay recovery	1 ms
Setting-up	Sensitivity adjustment
Depth	27 mm
Height	38 mm
Width	12 mm
Product weight	0.119 kg
Kit composition	Transmitter + receiver XUM2AKCNM8T + XUM2APCNM8R

Environment

Product certifications	CE CSA UL
Ambient air temperature for operation	-25...55 °C
Ambient air temperature for storage	-30...70 °C
Vibration resistance	7 gn, amplitude = +/- 1.5 mm (f = 10...55 Hz) conforming to IEC 60068-2-6
Shock resistance	30 gn (duration = 11 ms) conforming to IEC 60068-2-27
IP degree of protection	IP65 double insulation conforming to IEC 60529 IP67 double insulation conforming to IEC 60529

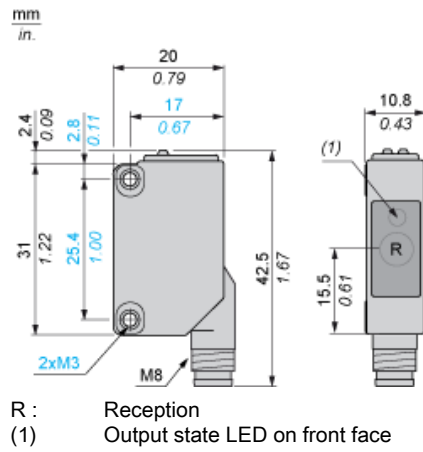
Offer Sustainability

RoHS (date code: YYWW)	Compliant - since 1152 - Schneider Electric declaration of conformity  Schneider Electric declaration of conformity
------------------------	---

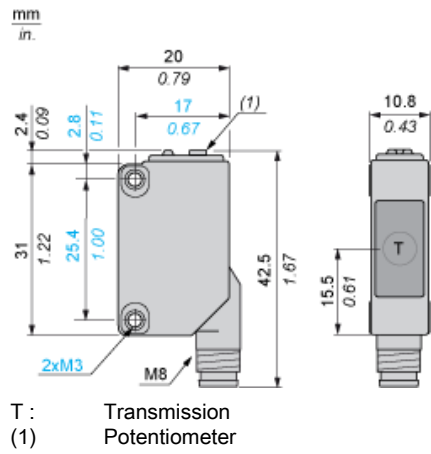
Contractual warranty

Warranty period	18 months
-----------------	-----------

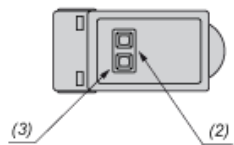
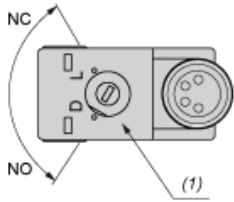
Receiver's Dimensions



Transmitter's Dimensions

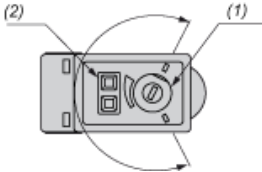
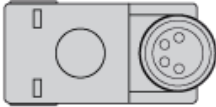


Mounting and Clearance



- (1) Configuration switch
- (2) Output state LED
- (3) Stability and power on LED

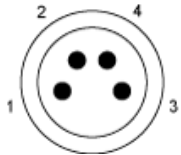
Mounting and Clearance



- (1) Adjustment potentiometer
- (2) Power on LED

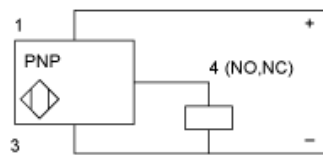
Connections and Schemes

M8 Connector

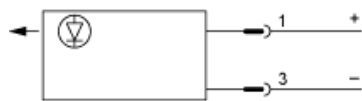


- 1 : (+)
- 3 : (-)
- 4 : OUT/Output

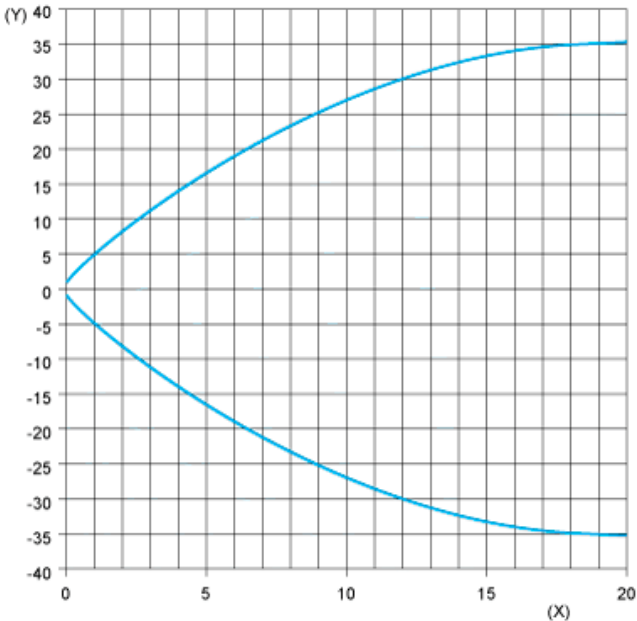
PNP



Transmitter DC



Detection Curves



(Y) Parallel movement (cm)
(X) Distance (m)