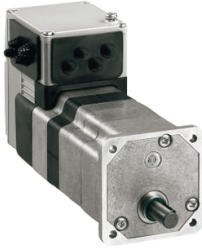


# Product data sheet

Specifications



## brushless dc motor 24..48 V - Ethernet Powerlink interface - L = 174 mm - 92:1

ILE2P661PB1A7

! Discontinued

! Discontinued on: Mar 31, 2023

! To be end-of-service on: Dec 31, 2026

**Product availability: Non-Stock - Not normally stocked in  
distribution facility**

## Main

Range of Product	Lexium integrated drive
Product or Component Type	Motion integrated drive
Device short name	ILE
Motor Type	Brushless DC motor
Number of motor poles	6
Phase	Single phase
[Us] rated supply voltage	48 V 24 V
Network type	DC
Communication interface	Ethernet Powerlink, Integrated
Length	9.02 in (229 mm)
Winding type	Medium speed of rotation and medium torque
Electrical Connection	Printed circuit board connector
Holding brake	Without
Gear box type	Worm gear, 3 stages
Reduction ratio	92:1 (735:5)
Nominal speed	44 rpm 24 V 44 rpm 48 V
Nominal torque	81.4 lbf.in (9.2 N.m) 24 V 81.4 lbf.in (9.2 N.m) 48 V

## Complementary

Transmission Rate	100 Mbits
Mounting Support	Flange
Motor flange size	2.6 in (66 mm)
Number of motor stacks	1
Centring collar diameter	1.4 in (36 mm)
Number of mounting holes	2
Mounting holes diameter	0.2 in (4.4 mm)
Feedback type	BLDC encoder

Price is "List Price" and may be subject to a trade discount – check with your local distributor or retailer for actual price.

<b>Shaft end</b>	Hole
<b>Second shaft</b>	Without second shaft end
<b>Supply voltage limits</b>	18...55.2 V
<b>Current consumption</b>	7000 mA peak 5500 mA maximum continuous
<b>Associated fuse rating</b>	16 A
<b>Commissioning interface</b>	RS485 Modbus TCP 9.6, 19.2 and 38.4 kbauds)
<b>Input/output type</b>	4 signals (each be used as input or output)
<b>Voltage state 0 guaranteed</b>	-3...4.5 V
<b>Voltage state 1 guaranteed</b>	15...30 V
<b>Discrete input current</b>	10 mA at 24 V on/STO_A safety input 3 mA at 24 V on/STO_B safety input 2 mA at 24 V 24 V signal interface
<b>Discrete output voltage</b>	23...25 V
<b>Maximum switching current</b>	100 mA per output 200 mA total
<b>Protection Type</b>	Safe torque off Short circuit of the output voltage Overload of output voltage
<b>Maximum supply current</b>	0.1 A power stage disabled) 6.8 A 24 V 2.6 A 48 V
<b>Nominal output power</b>	41 W 24 V 42 W 48 V
<b>Peak stall torque</b>	175.07 lbf.in (19.78 N.m) 24 V 175.07 lbf.in (19.78 N.m) 48 V
<b>Continuous stall torque</b>	102.7 lbf.in (11.6 N.m)
<b>Detent torque</b>	108.9 lbf.in (12.3 N.m)
<b>Speed feedback resolution</b>	12 points/turn motor 0.33° gearbox output
<b>Accuracy error</b>	+/- 1 point
<b>Rotor inertia</b>	1270 kg.cm <sup>2</sup>
<b>Maximum mechanical speed</b>	54 rpm
<b>Maximum radial force Fr</b>	200 N
<b>Maximum axial force Fa</b>	80 N
<b>Service life in hours</b>	9000 h bearing
<b>Marking</b>	CE
<b>Type of cooling</b>	Natural convection
<b>Net Weight</b>	5.07 lb(US) (2.3 kg)

## Environment

<b>Standards</b>	EN 61800-3 : 2001-02 IEC 60072-1 IEC 61800-3, Ed 2 EN 50347 EN 61800-3:2001, second environment EN/IEC 50178 EN/IEC 61800-3
------------------	---

<b>Product Certifications</b>	TÜV cUL UL
<b>Ambient air temperature for operation</b>	104...131 °F (40...55 °C) (with power derating of 2 % per °C) 32...104 °F (0...40 °C) (without derating)
<b>Permissible ambient air temperature around the device</b>	221 °F (105 °C) power amplifier 230 °F (110 °C) motor
<b>Ambient Air Temperature for Storage</b>	-13...158 °F (-25...70 °C)
<b>Operating altitude</b>	<= 3280.84 ft (1000 m) without derating
<b>Relative humidity</b>	15...85 % without condensation
<b>Vibration resistance</b>	20 m/s <sup>2</sup> 10...500 Hz) 10 cycles EN/IEC 60068-2-6
<b>Shock resistance</b>	150 m/s <sup>2</sup> 1000 shocks EN/IEC 60068-2-29
<b>IP degree of protection</b>	IP41 shaft bushing: conforming to EN/IEC 60034-5 IP54 total except shaft bushing: conforming to EN/IEC 60034-5

## Ordering and shipping details

<b>Category</b>	18288 - LEXIUM INTEGRATED DRIVES II
<b>Discount Schedule</b>	PC56
<b>GTIN</b>	3606485189062
<b>Returnability</b>	No
<b>Country of origin</b>	DE

## Packing Units

<b>Unit Type of Package 1</b>	PCE
<b>Nbr. of units in pkg.</b>	1
<b>Package 1 Height</b>	4.09 in (10.4 cm)
<b>Package 1 Width</b>	7.09 in (18.0 cm)
<b>Package 1 Length</b>	14.4 in (36.5 cm)
<b>Package weight(Lbs)</b>	6.2 lb(US) (2.8 kg)

## Contractual warranty

<b>Warranty (in months)</b>	18
-----------------------------	----



## Environmental Data

Schneider Electric aims to achieve Net Zero status by 2050 through supply chain partnerships, lower impact materials, and circularity via our ongoing “Use Better, Use Longer, Use Again” campaign to extend product lifetimes and recyclability.

[Environmental Data explained >](#)

[How we assess product sustainability >](#)



### Environmental footprint

[Environmental Disclosure](#)

[Product Environmental Profile](#)

## Use Better



### Materials and Substances

[EU RoHS Directive](#)

Pro-active compliance (Product out of EU RoHS legal scope)

SCIP Number

C2ce416c-ac1e-4e66-863f-bde9b6d94d11

REACH Regulation

[REACH Declaration](#)

California proposition 65

WARNING: This product can expose you to chemicals including: Lead and lead compounds, which is known to the State of California to cause cancer and birth defects or other reproductive harm. For more information go to [www.P65Warnings.ca.gov](http://www.P65Warnings.ca.gov)

PVC free

Yes

## Use Longer



### Lifetime extension

Repair

No

## Use Again



### Repack and remanufacture

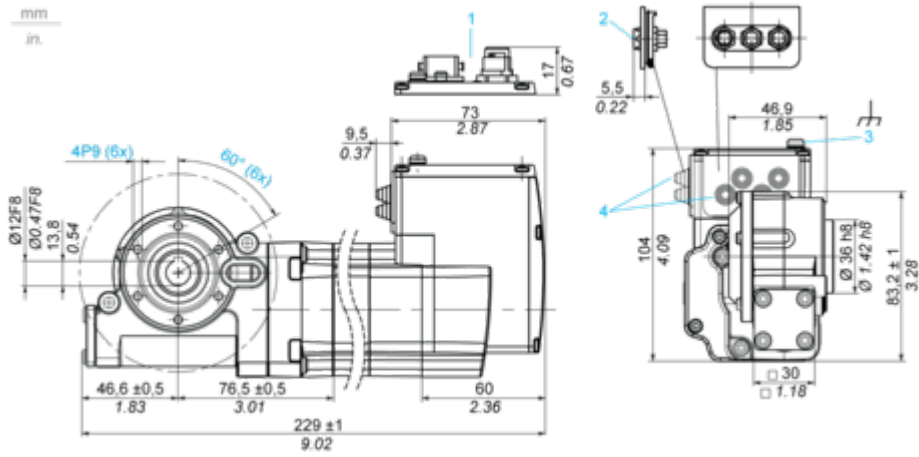
[Circularity Profile](#)

[End of Life Information](#)

Dimensions

Integrated Drive with Worm Gear

Dimensions

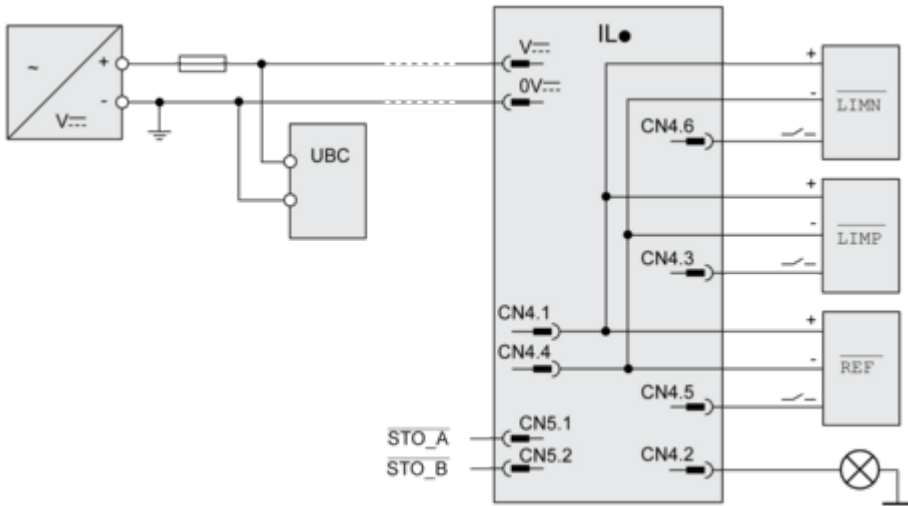


- 1 Option: industrial connectors
- 2 Accessories: I/O signal insert with industrial connectors
- 3 Earth (ground) terminal
- 4 Accessories: cable entries  $\varnothing = 3 \dots 9 \text{ mm} / 0.12 \dots 0.35 \text{ in.}$

Wiring

Connection Example with 4 I/O Signals

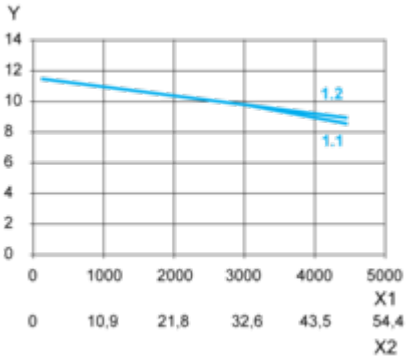
---



PerformanceCurves

Torque Characteristics

---



- X1 Speed of rotation of motor in rpm
- X2 Speed of rotation of gearing in rpm
- Y Torque in Nm
- 1.1 Max. torque at 24 V
- 1.2 Max. torque at 48 V