



pneumatically time-delayed auxiliary switch, ON-delay, 10-180 s, 1 NO + 1 NC, for mounting to contactors 3RT202

product brand name	SIRIUS
product category	Pneumatic delay blocks
product designation	pneumatic delay block
design of the product	slow-operating
product type designation	3RT29
General technical data	
certificate of suitability	CE / UL / CSA / CCC
size of contactor	S0
insulation voltage with degree of pollution 3 at AC rated value	690 V
protection class IP on the front	IP20
mechanical service life (operating cycles) typical	3 000 000
mechanical service life (operating cycles)	
• with 3RT2.2 contactor	3 000 000
electrical endurance (operating cycles) at AC-15 at 230 V typical	200 000
adjustable pickup delay time	10 ... 180 s
relative accuracy of the operating delay time/backslide delay time	10 %
active principle	pneumatic
Substance Prohibitance (day/month/year)	10/01/2009
Net Weight	0.09 kg
Switching Function	
switching function	
• ON-delay	Yes
• OFF delay	No
number of NC contacts delayed switching	1
number of NO contacts delayed switching	1
operational current at AC-15	
• at 500 V rated value	2.5 A
• at 690 V rated value	1.5 A
operational current of auxiliary contacts at AC-14	
• at 230 V	6 A
• at 400 V	4 A
• at 500 V	2.5 A
operational current of auxiliary contacts at AC-12 maximum	10 A
operational current of auxiliary contacts at AC-15	
• at 230 V	6 A
• at 400 V	4 A
operational current of auxiliary contacts at DC-13	
• at 24 V	4 A

- at 48 V
 - at 110 V
 - at 220 V
 - at 440 V
- 2 A
0.7 A
0.3 A
0.15 A

Ambient conditions

ambient temperature	
• during operation	0 ... 60 °C
• during storage	-50 ... +80 °C

Electrical Safety

touch protection against electrical shock	finger-safe
--	-------------

Short-circuit protection

design of the fuse link for short-circuit protection of the auxiliary switch required	Fuse gG 10 A with short-circuit current I _k = 1 kA according to IEC 60947-5-1
---	--

Installation/ mounting/ dimensions

mounting position	any
fastening method	clip-on
height	45 mm
width	45 mm
depth	60 mm

Connections/ Terminals

type of electrical connection for auxiliary and control circuit	screw-type terminals
connectable conductor cross-section for auxiliary contacts	
• solid or stranded	0.5 ... 2.5 mm ²
• finely stranded with core end processing	0.5 ... 2.5 mm ²
type of connectable conductor cross-sections	
• for auxiliary contacts	
— solid	2x (0.5 ... 1.5 mm ²), 2x (0.75 ... 2.5 mm ²)
— finely stranded with core end processing	2x (0.5 ... 1.5 mm ²), 2x (0.75 ... 2.5 mm ²)
• for AWG cables for auxiliary contacts	2x (18 ... 14), 2x (20 ... 16)
AWG number as coded connectable conductor cross section for auxiliary contacts	20 ... 14

Approvals Certificates

Environment	General Product Approval
-------------	--------------------------

[Environmental Conformations](#)



EMV	Maritime application	other
-----	----------------------	-------

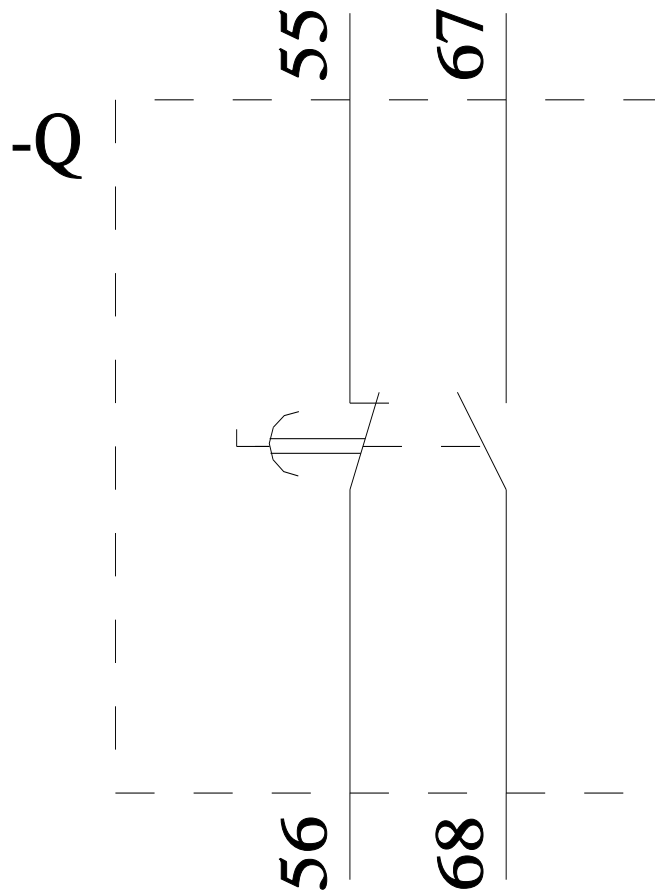
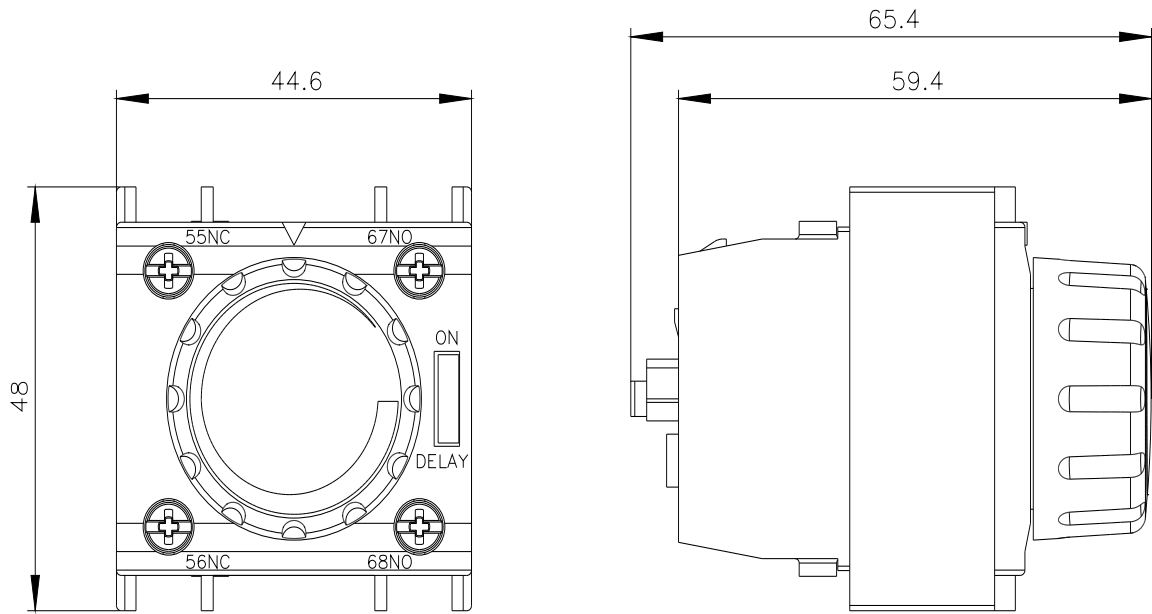


[Confirmation](#)

[Miscellaneous](#)

Further information

Information on the packaging
<https://support.industry.siemens.com/cs/ww/en/view/109813875>
 Information for data generation and storage
<https://support.industry.siemens.com/cs/ww/en/view/109995012>
 Information- and Downloadcenter (Catalogs, Brochures,...)
<https://www.siemens.com/ic10>
 Industry Mall (Online ordering system)
<https://mall.industry.siemens.com/mall/en/en/Catalog/product?mlfb=3RT2927-2PA11>
 Cax online generator
<https://support.automation.siemens.com/WW/CAXorder/default.aspx?lang=en&mlfb=3RT2927-2PA11>
 Service&Support (Manuals, Certificates, Characteristics, FAQs,...)
<https://support.industry.siemens.com/cs/ww/en/ps/3RT2927-2PA11>
 Image database (product images, 2D dimension drawings, 3D models, device circuit diagrams, EPLAN macros, ...)
https://www.automation.siemens.com/bilddb/cax_de.aspx?mlfb=3RT2927-2PA11&lang=en



last modified:

4/18/2025

