

Product datasheet

Specifications



Miniature plug in relay, Harmony, 10A, 2CO, with LED, 220V AC

RXM2NB3MD

⚠ Discontinued on: 15 Aug 2024

⚠ Discontinued

Main

Range of product	Harmony Electromechanical Relays
Series name	Miniature
Product or component type	Plug-in relay
Device short name	RXM
[Uc] control circuit voltage	220 V DC
Contacts type and composition	2 C/O
status LED	Without
Control type	Lockable test button

Complementary

[Uimp] rated impulse withstand voltage	3.6 kV during 1.2/50 μ s
[Ie] rated operational current	10 A at 28 V (DC) NO conforming to IEC 10 A at 250 V (AC) NO conforming to IEC 5 A at 28 V (DC) NC conforming to IEC 5 A at 250 V (AC) NC conforming to IEC
Minimum switching capacity	170 mW at 10 mA, 17 V
Electrical durability	200000 cycles for resistive load
Rated operational voltage limits	176...242 V DC
[Ui] rated insulation voltage	250 V conforming to IEC
Maximum switching voltage	250 V AC 28 V DC
Drop-out voltage threshold	$\geq 0.1 U_c$
Load current	10 A at 250 V AC 10 A at 28 V DC
Operating time	20 ms
Maximum switching capacity	2500 VA/280 W
Average resistance	48400 Ohm at 20 °C +/- 10 %
Average coil consumption	1.2 W, DC 1.4 VA, AC
Mechanical durability	10000000 cycles
Safety reliability data	B10d = 100000
Operating rate	≤ 1200 cycles/hour under load ≤ 18000 cycles/hour no-load
Utilisation coefficient	20 %

CAD overall height	82.8 mm
CAD overall depth	80.35 mm
reset time	20 ms
Dielectric strength	1000 V AC between contacts with micro disconnection 1800 V AC between coil and contact 1550 V AC between poles
Compatibility code	RXM
Protection category	RT I
Pollution degree	3
Operating position	Any position
Device presentation	Complete product
Contacts material	AgNi
Shape of pin	Flat
Net weight	0.037 kg

Environment

Ambient air temperature for operation	-40...40 °C
IP degree of protection	IP40 conforming to IEC 60529
Standards	IEC 61810-1
Product certifications	CE
Ambient air temperature for storage	-40...85 °C
Vibration resistance	3 gn, amplitude = +/- 1 mm (f = 10...55 Hz)without clip 6 gn, amplitude = +/- 1 mm (f = 10...55 Hz)with clip
Shock resistance	10 gn (duration = 11 ms) for without clip 30 gn (duration = 11 ms) for with clip

Packing Units

Unit Type of Package 1	PCE
Number of Units in Package 1	1
Package 1 Height	4.6 cm
Package 1 Width	2.75 cm
Package 1 Length	2.08 cm
Package 1 Weight	35 g
Unit Type of Package 2	BB1
Number of Units in Package 2	10
Package 2 Height	3.2 cm
Package 2 Width	10.4 cm
Package 2 Length	12.6 cm
Package 2 Weight	350 g
Unit Type of Package 3	S02
Number of Units in Package 3	270
Package 3 Height	15 cm
Package 3 Width	30 cm

Package 3 Length	40 cm
------------------	-------

Package 3 Weight	9910 g
------------------	--------

Contractual warranty

Warranty (in months)	18
----------------------	----



Environmental Data

Schneider Electric aims to achieve Net Zero status by 2050 through supply chain partnerships, lower impact materials, and circularity via our ongoing “Use Better, Use Longer, Use Again” campaign to extend product lifetimes and recyclability.

[Environmental Data explained >](#)

[How we assess product sustainability >](#)

Use Better



Materials and Substances

EU RoHS Directive

[Compliant](#)

REACH Regulation

[Free of Substances of Very High Concern above the threshold](#)

Use Longer



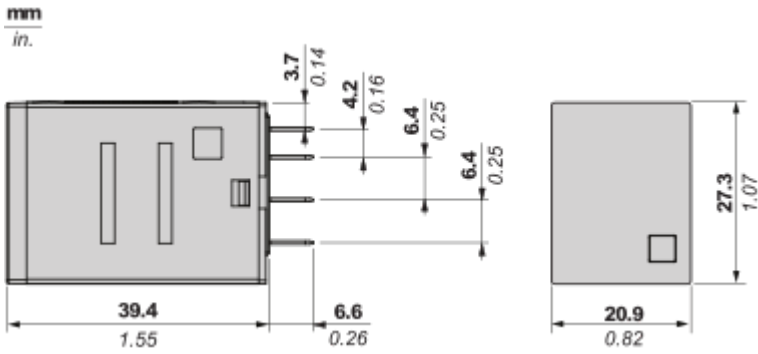
Lifetime extension

Repair

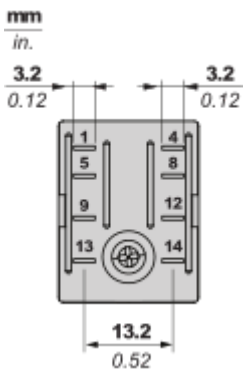
No

Dimensions Drawings

Dimensions



Pin Side View



Connections and Schema

Wiring Diagram

