

Siemens  
EcoTech



output coupler with plug-in relay, 24 V DC, 1 change-over contact, spring-loaded terminal (push-in), width 6.2 mm, thermal current 6 A



product brand name	SIRIUS
product category	SIRIUS 3RQ4 coupling relay, narrow design
product designation	Coupling relay with plug-in relay
design of the product	output coupling link
product type designation	3RQ4
manufacturer's article number of coupling relay usable	<a href="#">3RQ4914-7BM00</a>
<b>General technical data</b>	
display version LED	Yes
product feature protective coating on printed-circuit board	No
product component	
• relay output	Yes
• semi-conductor output	No
power loss [W] maximum	0.25 W
consumed active power	0.3 W
insulation voltage for overvoltage category III according to IEC 60664 with degree of pollution 3 rated value	300 V
surge voltage resistance rated value	4 kV
maximum permissible voltage for protective separation	
• between control and auxiliary circuit	300 V
• between control and auxiliary circuit according to IEC 60947-1	300 V
percental drop-out voltage related to the input voltage	10 %
protection class IP	IP20
flammability class of enclosure material	UL94 V-0
shock resistance	
• according to IEC 60068-2-27	sinusoidal half-wave 15 g / 11 ms
vibration resistance	
• according to IEC 60068-2-6	6 ... 150 Hz: 2 g
operating frequency maximum	72 000 1/h
switching behavior	monostable
mechanical service life (operating cycles) typical	10 000 000
electrical endurance (operating cycles)	
• at AC-15 at 250 V typical	100 000
thermal current	6 A
reference code according to IEC 81346-2	K
Substance Prohibitance (day/month/year)	09/26/2024
Net Weight	0.034 kg

Control circuit/ Control	
control supply voltage at DC rated value	24 V
operating range factor control supply voltage rated value at DC	
• initial value	0.8
• full-scale value	1.25
inrush current maximum	1 A
ON-delay time	
• at AC maximum	10 ms
• at DC maximum	10 ms
OFF-delay time maximum	10 ms
Switching Function	
design of the switching function positively driven	No
Digital Outputs	
property of the output short-circuit proof	No
Mechanical data	
product component plug-in socket	Yes
design of the relay operating mechanism	poled
Short-circuit protection	
design of the fuse link for short-circuit protection of the auxiliary switch required	fuse gG: 4 A
Auxiliary circuit	
type of switching contact	double contact
material of contact coating	other
material of switching contacts	Silver tin oxide (AgSnO <sub>2</sub> )
material of the contact insert	Thermoplastic
number of NC contacts for auxiliary contacts	0
number of NO contacts for auxiliary contacts	0
number of CO contacts for auxiliary contacts	1
operational current of auxiliary contacts at AC-15	
• at 24 V	3 A
• at 250 V	3 A
operational current of auxiliary contacts at DC-13	
• at 24 V	1 A
• at 125 V	0.2 A
• at 250 V	0.1 A
contact reliability of auxiliary contacts	one incorrect switching operation of 100 million switching operations (17 V, 5 mA)
Main circuit	
type of voltage	DC
ampacity of the output relay at AC-15 at 250 V at 50/60 Hz	3 A
ampacity of the output relay at DC-13	
• at 24 V	1 A
• at 125 V	0.2 A
• at 250 V	0.1 A
Electromagnetic compatibility	
electromagnetic compatibility	acc. to EN 60947-5-1
EMC emitted interference according to IEC 60947-1	ambience A (industrial sector)
EMC immunity according to IEC 60947-1	corresponds to degree of severity 3
conducted interference	
• due to burst according to IEC 61000-4-4	2 kV
• due to conductor-earth surge according to IEC 61000-4-5	2 kV
• due to conductor-conductor surge according to IEC 61000-4-5	1 kV
field-based interference according to IEC 61000-4-3	10 V/m
electrostatic discharge according to IEC 61000-4-2	6 kV contact discharge / 8 kV air discharge
Display	
display version as status display by LED	LED green
Connections/ Terminals	

<b>product function removable terminal</b>	No
<b>type of electrical connection</b> • for auxiliary and control circuit	spring-loaded terminals spring-loaded terminals
<b>type of connectable conductor cross-sections</b> • solid • finely stranded with core end processing • finely stranded without core end processing • for AWG cables solid • for AWG cables stranded	1x (0.25 ... 2.5 mm <sup>2</sup> ) 1x (0.25 ... 1.5 mm <sup>2</sup> ) 1x (0.25 ... 2.5 mm <sup>2</sup> ) 1x (20 ... 14) 1x (20 ... 14)
<b>connectable conductor cross-section</b> • solid • finely stranded with core end processing • finely stranded without core end processing	0.25 ... 2.5 mm <sup>2</sup> 0.25 ... 1.5 mm <sup>2</sup> 0.25 ... 2.5 mm <sup>2</sup>
<b>AWG number as coded connectable conductor cross section</b> • solid • stranded	20 ... 14 20 ... 14
<b>size of the screwdriver tip</b>	PZ1
<b>stripped length</b>	10 mm
<b>Installation/ mounting/ dimensions</b>	
<b>mounting position</b>	any
<b>fastening method</b>	snap-on mounting
<b>height</b>	93 mm
<b>width</b>	6.2 mm
<b>depth</b>	88.5 mm
<b>required spacing</b> • with side-by-side mounting — forwards — backwards — upwards — downwards — at the side • for grounded parts — forwards — backwards — upwards — at the side — downwards • for live parts — forwards — backwards — upwards — downwards — at the side	0 mm 0 mm 0 mm 0 mm 0 mm 0 mm 0 mm 0 mm 0 mm 0 mm 0 mm 0 mm 0 mm 0 mm 0 mm
<b>Ambient conditions</b>	
installation altitude at height above sea level maximum	2 000 m
<b>ambient temperature</b> • during operation • during storage • during transport	-25 ... +60 °C -40 ... +85 °C -40 ... +85 °C
relative humidity during operation	10 ... 95 %
<b>Approvals Certificates</b>	
<b>Environment</b>	<b>General Product Approval</b>





[Confirmation](#)

Further information

Information on the packaging

<https://support.industry.siemens.com/cs/ww/en/view/109813875>

Information for data generation and storage

<https://support.industry.siemens.com/cs/ww/en/view/109995012>

Information- and Downloadcenter (Catalogs, Brochures,...)

<https://www.siemens.com/ic10>

Industry Mall (Online ordering system)

<https://mall.industry.siemens.com/mall/en/en/Catalog/product?mlfb=3RQ4118-2AM00>

Cax online generator

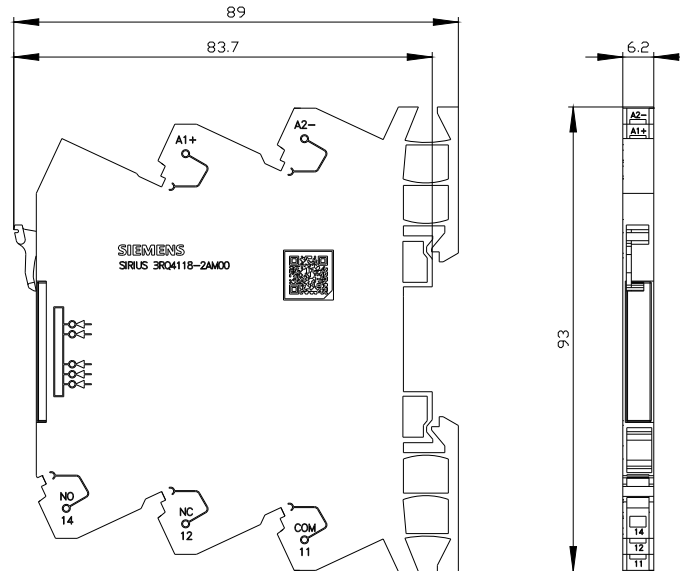
<https://support.automation.siemens.com/WW/CAXorder/default.aspx?lang=en&mlfb=3RQ4118-2AM00>

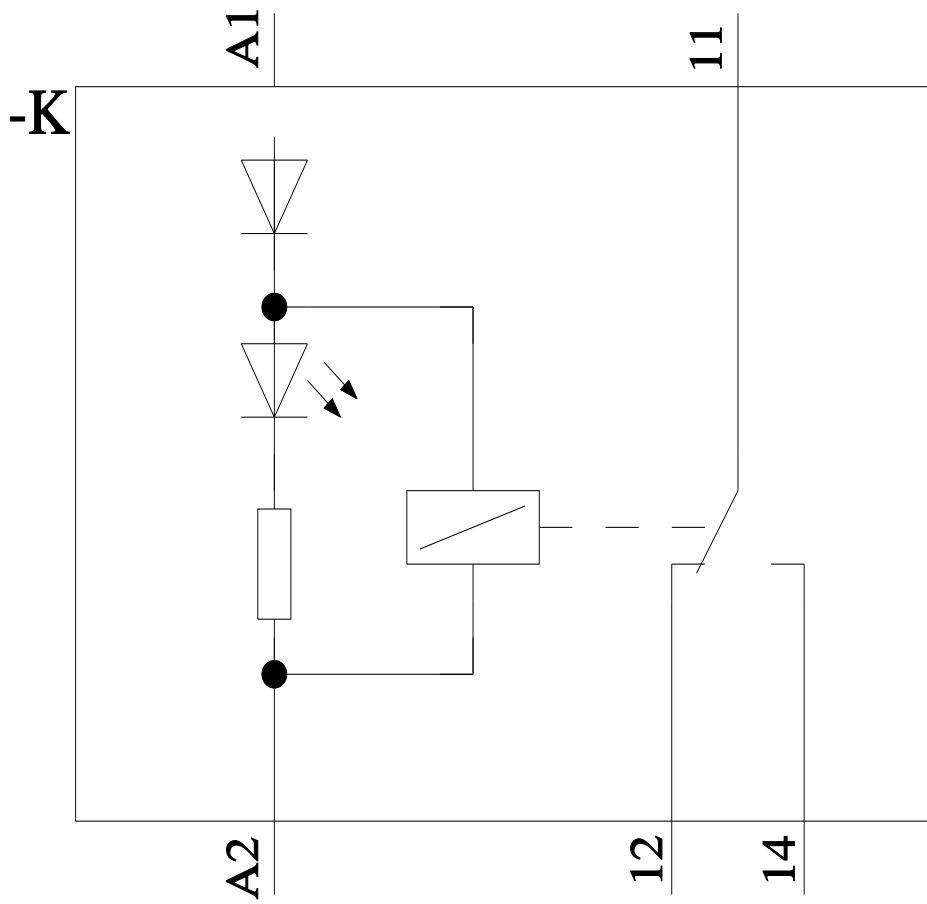
Service&Support (Manuals, Certificates, Characteristics, FAQs,...)

<https://support.industry.siemens.com/cs/ww/en/ps/3RQ4118-2AM00>

Image database (product images, 2D dimension drawings, 3D models, device circuit diagrams, EPLAN macros, ...)

[https://www.automation.siemens.com/bilddb/cax\\_de.aspx?mlfb=3RQ4118-2AM00&lang=en](https://www.automation.siemens.com/bilddb/cax_de.aspx?mlfb=3RQ4118-2AM00&lang=en)





last modified:

4/24/2026 