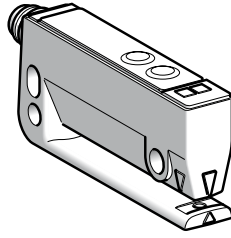


# Photo-electric sensors

OsiSense XUVE Application, packaging series  
Optical fork for detection of opaque labels  
DC supply. Solid-state output

## Fork design



<b>System</b>	Thru-beam						
<b>Type of transmission</b>	Infrared						
<b>Nominal sensing distance (Sn)</b>	3 mm						
<b>Depth</b>	40 mm						
<b>References</b>							
<b>4-wire</b>	<table border="1"> <tr> <td><b>XUVE04M3KSNM8</b></td> <td><b>XUVE04M3PSNM8</b></td> <td><b>XUVE04M3NSNM8</b></td> </tr> <tr> <td>NO or NC programmable function</td> <td>PNP</td> <td>NPN</td> </tr> </table>	<b>XUVE04M3KSNM8</b>	<b>XUVE04M3PSNM8</b>	<b>XUVE04M3NSNM8</b>	NO or NC programmable function	PNP	NPN
<b>XUVE04M3KSNM8</b>	<b>XUVE04M3PSNM8</b>	<b>XUVE04M3NSNM8</b>					
NO or NC programmable function	PNP	NPN					
<b>Remote adjustment</b>	No						
<b>Adjustment</b>	By numeric potentiometer (+/- buttons) and red LED						
<b>Protection of settings</b>	By locking keypad						
<b>Weight (kg)</b>	0.035						

## Characteristics

<b>Product certifications</b>	CE, cULus												
<b>Material</b>	Thermoplastic case (PA12)												
<b>Connection</b>	M8, 4-pin connector												
<b>Detection performance</b>	<table border="1"> <tr> <td>Minimum length of label</td> <td>2 mm</td> </tr> <tr> <td>Minimum distance between 2 labels</td> <td>2 mm</td> </tr> <tr> <td>Maximum flow rate</td> <td>200 m/min</td> </tr> <tr> <td><b>Detection accuracy</b></td> <td><b>+/- 50 µm at 150 m/min</b></td> </tr> </table>	Minimum length of label	2 mm	Minimum distance between 2 labels	2 mm	Maximum flow rate	200 m/min	<b>Detection accuracy</b>	<b>+/- 50 µm at 150 m/min</b>				
Minimum length of label	2 mm												
Minimum distance between 2 labels	2 mm												
Maximum flow rate	200 m/min												
<b>Detection accuracy</b>	<b>+/- 50 µm at 150 m/min</b>												
<b>Supply</b>	<table border="1"> <tr> <td>Rated supply voltage</td> <td>12...24 V with protection against reverse polarity</td> </tr> <tr> <td>Voltage limits</td> <td>10...30 V ~ (including ripple)</td> </tr> <tr> <td>Current consumption, no-load</td> <td>35 mA</td> </tr> <tr> <td>Residual voltage at 100 mA</td> <td>&lt; 2 V</td> </tr> </table>	Rated supply voltage	12...24 V with protection against reverse polarity	Voltage limits	10...30 V ~ (including ripple)	Current consumption, no-load	35 mA	Residual voltage at 100 mA	< 2 V				
Rated supply voltage	12...24 V with protection against reverse polarity												
Voltage limits	10...30 V ~ (including ripple)												
Current consumption, no-load	35 mA												
Residual voltage at 100 mA	< 2 V												
<b>Output</b>	<table border="1"> <tr> <td>Maximum rated current</td> <td>100 mA with overload and short-circuit protection</td> </tr> <tr> <td><b>Maximum switching frequency</b></td> <td><b>10 kHz</b></td> </tr> <tr> <td>Indicator lights</td> <td></td> </tr> <tr> <td>    Output state</td> <td>Yellow LED</td> </tr> <tr> <td>    Adjustment and keypad locking</td> <td>Red LED</td> </tr> <tr> <td>Delay (response and recovery)</td> <td>50 µs</td> </tr> </table>	Maximum rated current	100 mA with overload and short-circuit protection	<b>Maximum switching frequency</b>	<b>10 kHz</b>	Indicator lights		Output state	Yellow LED	Adjustment and keypad locking	Red LED	Delay (response and recovery)	50 µs
Maximum rated current	100 mA with overload and short-circuit protection												
<b>Maximum switching frequency</b>	<b>10 kHz</b>												
Indicator lights													
Output state	Yellow LED												
Adjustment and keypad locking	Red LED												
Delay (response and recovery)	50 µs												
<b>Environment</b>	<table border="1"> <tr> <td>Operating temperature</td> <td>- 20...+ 60°C</td> </tr> <tr> <td>Storage temperature</td> <td>- 30...+ 80°C</td> </tr> <tr> <td>Degree of protection</td> <td>IP 65</td> </tr> </table>	Operating temperature	- 20...+ 60°C	Storage temperature	- 30...+ 80°C	Degree of protection	IP 65						
Operating temperature	- 20...+ 60°C												
Storage temperature	- 30...+ 80°C												
Degree of protection	IP 65												

## Function table

	Function	Thru-beam system	
		No label present in the beam (output inactive)	Label present in the beam (output active)
Output state (PNP or NPN) indicator: yellow LED (illuminated when sensor output is ON)	NC		
	NO		

## References of pre-wired connectors

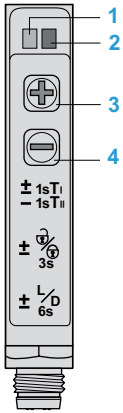
	Type of connector	For use with forks	Type	Cable length (m)	Reference	Weight kg
	Female, M8, 4 pins	XUVE04M3KSNM8, XUVE04M3PSNM8, XUVE04M3NSNM8,	Straight	2	<b>XZCP0941L2</b>	0,080
				5	<b>XZCP0941L5</b>	0,180
			Elbowed	2	<b>XZCP1041L2</b>	0,080
				5	<b>XZCP1041L5</b>	0,180

XZCP1041L

# Photo-electric sensors

OsiSense XUVE Application, packaging series  
Optical fork for detection of opaque labels  
DC supply. Solid-state output

## Presentation (adjustment and indicators)



- 1 Yellow LED "ON": Output activated
- 2 Red LED "ON": Adjustments and keypad locking
- 3,4 Sensitivity adjustment
- 3+4 Teach mode and automatic adjustment of sensitivity (press time < 3 seconds)
- 3+4 Keypad locking (3 s ≤ press time < 6 s)
- 3+4 NO/NC (press time ≥ 6 s)

## Connections

### Connector

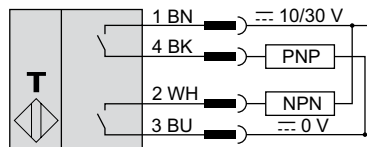


### Pin no. - colour

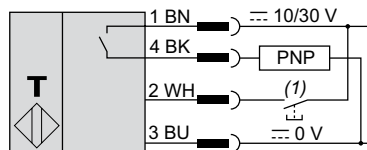
- 1 **BN**: Brown
- 2 **WH**: White (remote teaching)
- 3 **BU**: Blue
- 4 **BK**: Black

### Wiring schemes

#### PNP/NPN: XUVE04M3KSNM8

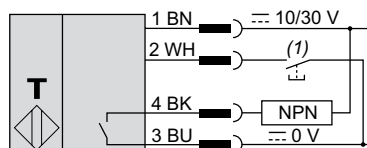


#### PNP: XUVE04M3PSNM8



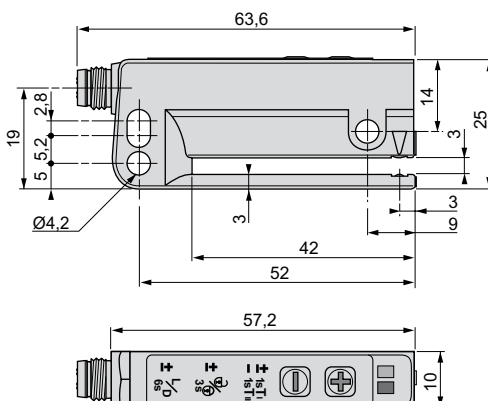
(1) Remote teaching.

#### NPN: XUVE04M3NSNM8



(1) Remote teaching.

## Dimensions



## Application example

Detection of opaque labels before application to a package

