

Product datasheet

Specifications



servo motor BCH, w oil seal,
smooth, 20-bit encoder, w/o brake-
straight con

BCH0601O22A1C

! Discontinued

! Discontinued on: Dec 31, 2018 AD

! End-of-service on: Dec 15, 2025 AD

Main

Range compatibility	Lexium 23 Plus
Device short name	BCH
Product or component type	Servo motor

Complementary

Maximum mechanical speed	5000 rpm
[Us] rated supply voltage	220 V
Network number of phases	Single phase
Continuous stall current	1.55 A
Continuous power	0.2 kW
Shaft end	Smooth shaft
Second shaft	Without second shaft end
Shaft diameter	14 mm
Shaft length	24 mm
Feedback type	20 bits incremental encoder
Holding brake	Without
Mounting support	Asian standard flange
Motor flange size	60 mm
Torque constant	0.41 N.m/A
Back emf constant	17.4 V/krpm at 20 °C
Rotor inertia	0.177 kg.cm ²
Stator resistance	5.58 Ohm at 20 °C
Stator inductance	24.14 mH at 20 °C
Stator electrical time constant	4.3 ms at 20 °C
Maximum radial force Fr	196 N
Maximum axial force Fa	68 N
Brake pull-in power	6.5 W
Type of cooling	Natural convection
Length	105.5 mm
Number of motor stacks	1

Centring collar diameter	50 mm
Centring collar depth	3 mm
Number of mounting holes	4
Mounting holes diameter	5.5 mm
Circle diameter of the mounting holes	70 mm
Distance shaft shoulder-flange	24 mm
Net weight	1.2 kg

Environment

IP degree of protection	IP65
Ambient air temperature for operation	0...40 °C

Packing Units

Unit Type of Package 1	PCE
Number of Units in Package 1	1
Package 1 Height	17.6 cm
Package 1 Width	14.2 cm
Package 1 Length	25.7 cm
Package 1 Weight	1.5 kg
Unit Type of Package 2	CAR
Number of Units in Package 2	2
Package 2 Height	17.6 cm
Package 2 Width	14.2 cm
Package 2 Length	25.7 cm
Package 2 Weight	3.0 kg

Contractual warranty

Warranty (in months)	18
----------------------	----



Environmental Data

Schneider Electric aims to achieve Net Zero status by 2050 through supply chain partnerships, lower impact materials, and circularity via our ongoing “Use Better, Use Longer, Use Again” campaign to extend product lifetimes and recyclability.

[Environmental Data explained >](#)

[How we assess product sustainability >](#)



Environmental footprint

[Environmental Disclosure](#)

[Product Environmental Profile](#)

Use Longer



Lifetime extension

[Repair](#)

[No](#)

Use Again



Repack and remanufacture

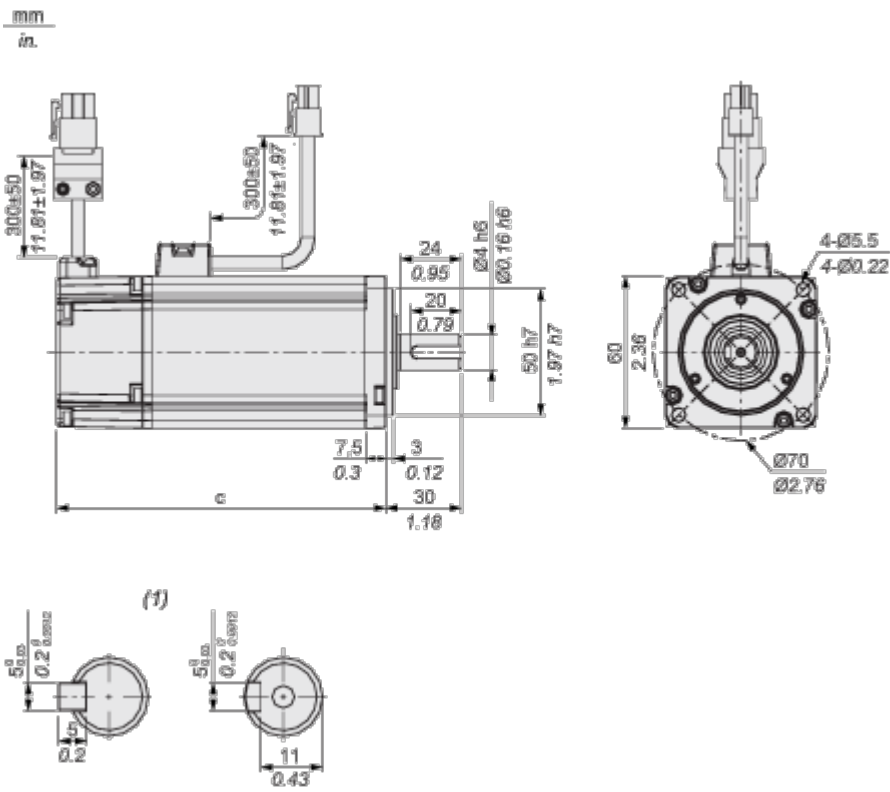
[WEEE Label](#)



The product must be disposed on European Union markets following specific waste collection and never end up in rubbish bins

Dimensions Drawings

Dimensions



(1) Shaft end, keyed slot (optional)

Dimensions in mm

c (without holding brake)	c (with holding brake)
105.5	141.6

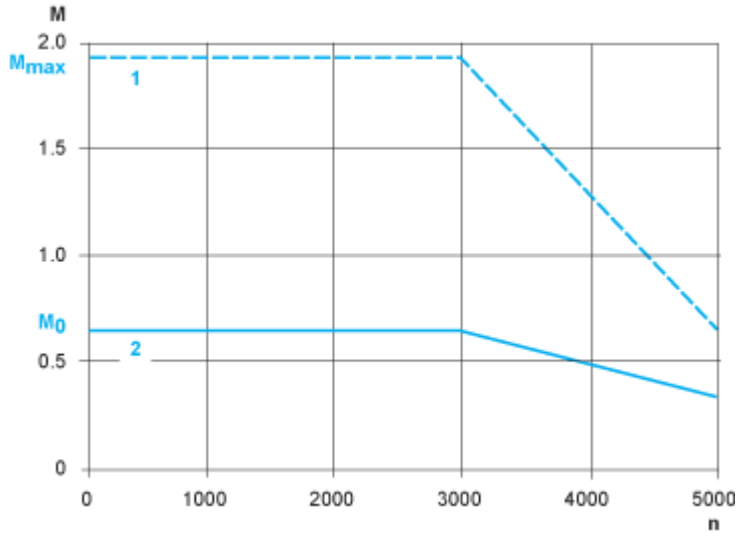
Dimensions in in.

c (without holding brake)	c (with holding brake)
4.15	5.57

Performance Curves

Torque/Speed Curves with 220 V Single Phase Supply Voltage

Servo Motor with LXM23•U02M3X Servo Drive



M : Torque in Nm

n : Speed in rpm

1 : Peak torque

2 : Continuous torque