

Siemens
EcoTech



output coupler with integrated relay, 110 V DC (0.7-1.25 x Us) 1 change-over contact, spring-loaded terminal (push-in), width 6.2 mm, thermal current 6 A



product brand name	SIRIUS
product category	SIRIUS 3RQ4 coupling relay, narrow design
product designation	Coupling relay with integrated relay output
design of the product	output coupling link
product type designation	3RQ4
General technical data	
display version LED	Yes
product feature protective coating on printed-circuit board	No
product component	
• relay output	Yes
• semi-conductor output	No
power loss [W] maximum	0.8 W
consumed active power	0.5 W
insulation voltage for overvoltage category III according to IEC 60664 with degree of pollution 3 rated value	300 V
surge voltage resistance rated value	4 kV
maximum permissible voltage for protective separation	
• between control and auxiliary circuit	300 V
• between control and auxiliary circuit according to IEC 60947-1	300 V
percental drop-out voltage related to the input voltage	9.6 %
protection class IP	IP20
flammability class of enclosure material	UL94 V-0
shock resistance	
• for railway applications according to EN 61373	Category 1, Class B
vibration resistance	
• for railway applications according to EN 61373	Category 1, Class B
operating frequency maximum	72 000 1/h
switching behavior	monostable
mechanical service life (operating cycles) typical	10 000 000
electrical endurance (operating cycles)	
• at AC-15 at 250 V typical	100 000
thermal current	6 A
reference code according to IEC 81346-2	K
Substance Prohibitance (day/month/year)	09/26/2024
SVHC substance name	Lead CAS-No. 7439-92-1
Net Weight	0.035 kg

Control circuit/ Control	
control supply voltage at DC rated value	110 V
operating range factor control supply voltage rated value at DC	
• initial value	0.7
• full-scale value	1.25
design of the surge suppressor at input	Varistor
inrush current maximum	1 A
ON-delay time	
• at DC maximum	6 ms
OFF-delay time maximum	10 ms
Switching Function	
design of the switching function positively driven	No
Digital Outputs	
property of the output short-circuit proof	No
Mechanical data	
product component plug-in socket	No
design of the relay operating mechanism	poled
Short-circuit protection	
design of the fuse link for short-circuit protection of the auxiliary switch required	fuse gG: 4 A
Auxiliary circuit	
type of switching contact	double contact
material of contact coating	other
material of switching contacts	Silver tin oxide (AgSnO ₂)
material of the contact insert	Thermoplastic
number of NC contacts for auxiliary contacts	0
number of NO contacts for auxiliary contacts	0
number of CO contacts for auxiliary contacts	1
operational current of auxiliary contacts at AC-15	
• at 24 V	3 A
• at 250 V	3 A
operational current of auxiliary contacts at DC-13	
• at 24 V	1 A
• at 125 V	0.2 A
• at 250 V	0.1 A
contact reliability of auxiliary contacts	one incorrect switching operation of 100 million switching operations (17 V, 5 mA)
Main circuit	
type of voltage	DC
ampacity of the output relay at AC-15 at 250 V at 50/60 Hz	3 A
ampacity of the output relay at DC-13	
• at 24 V	1 A
• at 125 V	0.2 A
• at 250 V	0.1 A
Electromagnetic compatibility	
electromagnetic compatibility	acc. to DIN EN 50121-3-2
EMC emitted interference according to IEC 60947-1	ambience A (industrial sector)
EMC immunity according to IEC 60947-1	corresponds to degree of severity 3
conducted interference	
• due to burst according to IEC 61000-4-4	2 kV
• due to conductor-earth surge according to IEC 61000-4-5	2 kV
• due to conductor-conductor surge according to IEC 61000-4-5	1 kV
field-based interference according to IEC 61000-4-3	10 V/m
electrostatic discharge according to IEC 61000-4-2	6 kV contact discharge / 8 kV air discharge
Display	
display version as status display by LED	LED green
Connections/ Terminals	

product function removable terminal	No
type of electrical connection • for auxiliary and control circuit	spring-loaded terminals spring-loaded terminals
type of connectable conductor cross-sections • solid • finely stranded with core end processing • finely stranded without core end processing • for AWG cables solid • for AWG cables stranded	1x (0.25 ... 2.5 mm ²) 1x (0.25 ... 1.5 mm ²) 1x (0.25 ... 2.5 mm ²) 1x (20 ... 14) 1x (20 ... 14)
connectable conductor cross-section • solid • finely stranded with core end processing • finely stranded without core end processing	0.25 ... 2.5 mm ² 0.25 ... 1.5 mm ² 0.25 ... 2.5 mm ²
AWG number as coded connectable conductor cross section • solid • stranded	20 ... 14 20 ... 14
size of the screwdriver tip	PZ1
stripped length	10 mm
Installation/ mounting/ dimensions	
mounting position	any
fastening method	snap-on mounting
height	93 mm
width	6.2 mm
depth	84.5 mm
required spacing • with side-by-side mounting — forwards — backwards — upwards — downwards — at the side • for grounded parts — forwards — backwards — upwards — at the side — downwards • for live parts — forwards — backwards — upwards — downwards — at the side	0 mm 0 mm 0 mm 0 mm 0 mm 0 mm 0 mm 0 mm 0 mm 0 mm 0 mm 0 mm 0 mm 0 mm 0 mm
Ambient conditions	
installation altitude at height above sea level maximum	2 000 m
ambient temperature • during operation • during storage • during transport	-40 ... +70 °C -40 ... +85 °C -40 ... +85 °C
relative humidity during operation	10 ... 95 %
Approvals Certificates	
Environment	General Product Approval





[Type Test Certificates/Test Report](#)

[Confirmation](#)

Further information

Information on the packaging

<https://support.industry.siemens.com/cs/ww/en/view/109813875>

Information for data generation and storage

<https://support.industry.siemens.com/cs/ww/en/view/109995012>

Information- and Downloadcenter (Catalogs, Brochures,...)

<https://www.siemens.com/ic10>

Industry Mall (Online ordering system)

<https://mall.industry.siemens.com/mall/en/en/Catalog/product?mlfb=3RQ4018-2AN08-0AA0>

Cax online generator

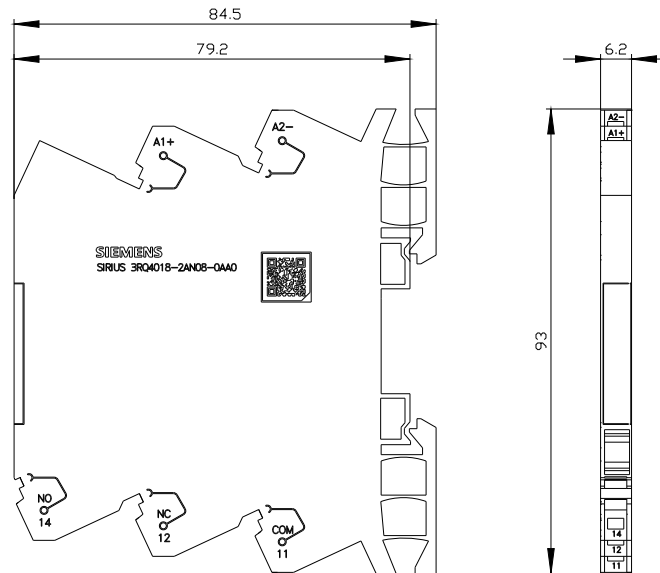
<https://support.automation.siemens.com/WW/CAXorder/default.aspx?lang=en&mlfb=3RQ4018-2AN08-0AA0>

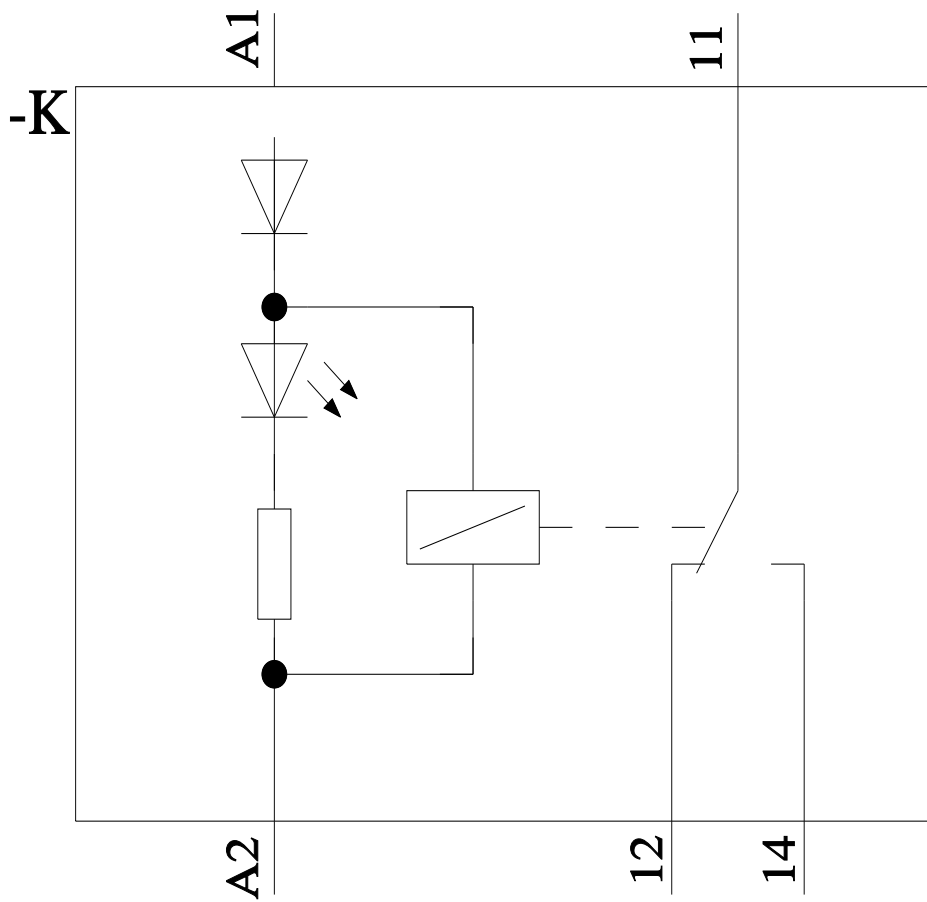
Service&Support (Manuals, Certificates, Characteristics, FAQs,...)

<https://support.industry.siemens.com/cs/ww/en/ps/3RQ4018-2AN08-0AA0>

Image database (product images, 2D dimension drawings, 3D models, device circuit diagrams, EPLAN macros, ...)

https://www.automation.siemens.com/bilddb/cax_de.aspx?mlfb=3RQ4018-2AN08-0AA0&lang=en





last modified:

4/24/2026 