

Product datasheet

Specifications



Inductive proximity sensors XS, inductive sensor XS6 M12, L54mm, brass, Sn4mm, 24...240VAC/DC, cable 2 m

XS612B1MAL2

Price : 36,829.95 NGN

Main

| | |
|------------------------------------|---|
| Range of product | Telemecanique Inductive proximity sensors XS |
| Series name | General purpose |
| Sensor type | Inductive proximity sensor |
| Sensor name | XS6 |
| Sensor design | Cylindrical M12 |
| Size | 54 mm |
| Body type | Fixed |
| Detector flush mounting acceptance | Flush mountable |
| Material | Metal |
| Type of output signal | Discrete |
| Wiring technique | 2-wire |
| [Sn] nominal sensing distance | 4 mm |
| Discrete output function | 1 NO |
| Output circuit type | AC/DC |
| Electrical connection | Cable |
| Cable length | 2 m |
| [Us] rated supply voltage | 24...240 V AC/DC 50/60 Hz |
| Switching capacity in mA | 5...200 mA AC/DC |
| IP degree of protection | IP68 double insulation conforming to IEC 60529 IP69K conforming to DIN 40050 |

Complementary

| | |
|--------------------|---------------------|
| Thread type | M12 x 1 |
| Detection face | Frontal |
| Front material | PPS |
| Enclosure material | Nickel plated brass |
| Sensing range | > 2.5...4 mm |
| Operating zone | 0...3.2 mm |

| | |
|--------------------------|------------------------------|
| Differential travel | 1...15% of Sr |
| Cable composition | 2 x 0.34 mm ² |
| Wire insulation material | PVC |
| Status LED | Output state: 1 LED (yellow) |
| Supply voltage limits | 20...264 V AC/DC |
| Maximum residual current | 0.8 mA open state |
| Switching frequency | <= 1000 Hz DC <= 25 Hz AC |
| Maximum voltage drop | <5.5 V (closed) |
| Maximum delay first up | 20 ms |
| Maximum delay response | 0.5 ms |
| Maximum delay recovery | 0.2 ms |
| Marking | CE |
| Threaded length | 42 mm |
| Length | 54 mm |
| Net weight | 0.075 kg |

Environment

| | |
|---------------------------------------|---|
| Product certifications | UL CSA |
| Ambient air temperature for operation | -25...70 °C |
| Ambient air temperature for storage | -40...85 °C |
| Vibration resistance | 25 gn amplitude = +/- 2 mm (f = 10...55 Hz) conforming to IEC 60068-2-6 |
| Shock resistance | 50 gn for 11 ms conforming to IEC 60068-2-27 |

Packing Units

| | |
|------------------------------|-----------|
| Unit Type of Package 1 | PCE |
| Number of Units in Package 1 | 1 |
| Package 1 Height | 2.500 cm |
| Package 1 Width | 11.700 cm |
| Package 1 Length | 12.200 cm |
| Package 1 Weight | 73.000 g |
| Unit Type of Package 2 | S03 |
| Number of Units in Package 2 | 44 |
| Package 2 Height | 30.000 cm |
| Package 2 Width | 30.000 cm |
| Package 2 Length | 40.000 cm |
| Package 2 Weight | 3.964 kg |
| Unit Type of Package 3 | P06 |
| Number of Units in Package 3 | 352 |
| Package 3 Height | 77.000 cm |
| Package 3 Width | 80.000 cm |
| Package 3 Length | 60.000 cm |

| | |
|------------------|-----------|
| Package 3 Weight | 40.252 kg |
|------------------|-----------|

Offer Sustainability

| | |
|--------------------------|-----------------------|
| Sustainable offer status | Green Premium product |
|--------------------------|-----------------------|

| | |
|------------------|-----------------------------------|
| REACH Regulation | REACH Declaration |
|------------------|-----------------------------------|

| | |
|-------------------|---|
| EU RoHS Directive | Pro-active compliance (Product out of EU RoHS legal scope) EU RoHS Declaration |
|-------------------|---|

| | |
|--------------|-----|
| Mercury free | Yes |
|--------------|-----|

| | |
|----------------------------|-----|
| RoHS exemption information | Yes |
|----------------------------|-----|

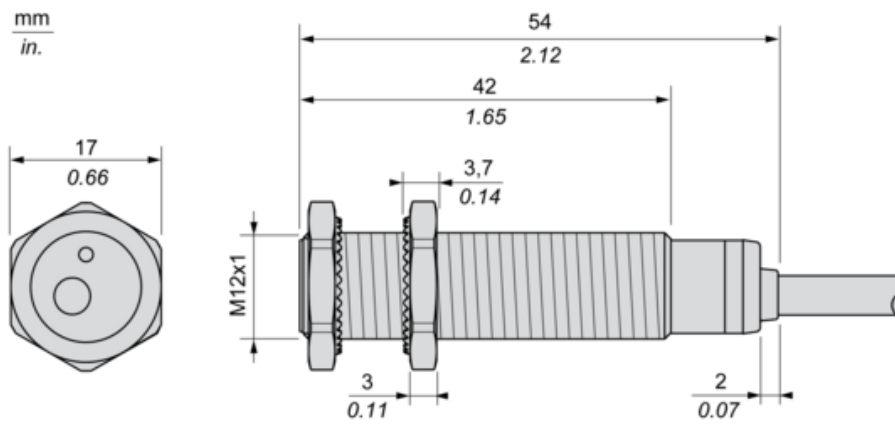
| | |
|--------------------------|---|
| Environmental Disclosure | Product Environmental Profile |
|--------------------------|---|

| | |
|---------------------|---|
| Circularity Profile | End of Life Information |
|---------------------|---|

Contractual warranty

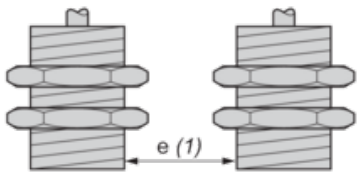
| | |
|----------|-----------|
| Warranty | 18 months |
|----------|-----------|

Dimensions



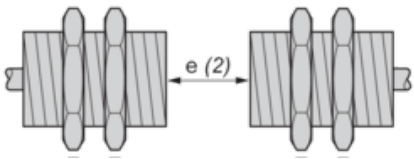
Minimum Mounting Distances

Side by side



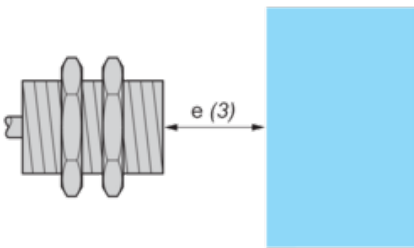
$e (1) \geq 8 \text{ mm}/0.31 \text{ in.}$

Face to face



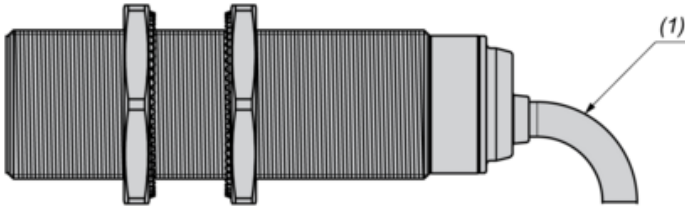
$e (2) \geq 48 \text{ mm}/1.89 \text{ in.}$

Facing a metal object



$e (3) \geq 12 \text{ mm}/0.47 \text{ in.}$

Mounting

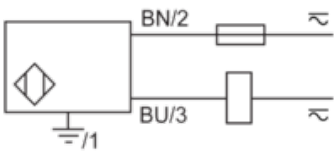


(1) Bending cable: 4 x external cable diameter

Wiring Schemes

2-Wire AC or DC

NO output



BU : Blue

BN : Brown

Recommended replacement(s)