



power contactor, AC-3e/AC-3, 41 A, 18.5 kW / 400 V, 3-pole, 83-150 V AC/DC, 50/60 Hz, with integrated varistor, auxiliary contacts: 1 NC, screw terminal, size: S2, F-PLC-IN

product brand name	SIRIUS
product designation	Power contactor
product type designation	3RT2
General technical data	
size of contactor	S2
product extension	
• function module for communication	No
• auxiliary switch	Yes
power loss [W] for rated value of the current	
• at AC in hot operating state	6.6 W
• at AC in hot operating state per pole	2.2 W
• without load current share typical	1.6 W
type of calculation of power loss current-dependent	quadratic
insulation voltage	
• of main circuit with degree of pollution 3 rated value	690 V
• of auxiliary circuit with degree of pollution 3 rated value	690 V
surge voltage resistance	
• of main circuit rated value	6 kV
• of auxiliary circuit rated value	6 kV
maximum permissible voltage for protective separation between coil and main contacts according to EN 60947-1	400 V
shock resistance at rectangular impulse	
• at AC	7.7 g / 5 ms, 4.5 g / 10 ms
• at DC	7.7 g / 5 ms, 4.5 g / 10 ms
shock resistance with sine pulse	
• at AC	12 g / 5 ms, 7 g / 10 ms
• at DC	12 g / 5 ms, 7 g / 10 ms
mechanical service life (operating cycles)	
• of contactor typical	5 000 000
• of the contactor with added electronically optimized auxiliary switch block typical	5 000 000
• of the contactor with added auxiliary switch block typical	5 000 000
reference code according to IEC 81346-2	Q
Substance Prohibitance (day/month/year)	01/29/2021
SVHC substance name	Lead CAS-No. 7439-92-1 Lead monoxide (lead oxide) CAS-No. 1317-36-8 2-methyl-1-(4-methylthiophenyl)-2-morpholinopropan-1-one CAS-No. 71868-10-5 Melamine CAS-No. 108-78-1
Net Weight	1.13 kg
Ambient conditions	

installation altitude at height above sea level maximum	2 000 m
ambient temperature	
• during operation	-25 ... +60 °C
• during storage	-55 ... +80 °C
relative humidity minimum	10 %
relative humidity at 55 °C according to IEC 60068-2-30 maximum	95 %
Main circuit	
number of poles for main current circuit	3
number of NO contacts for main contacts	3
number of NC contacts for main contacts	0
operating voltage	
• at AC-3 rated value maximum	690 V
• at AC-3e rated value maximum	690 V
operational current	
• at AC-1 at 400 V at ambient temperature 40 °C rated value	60 A
• at AC-1	
— up to 690 V at ambient temperature 40 °C rated value	60 A
— up to 690 V at ambient temperature 60 °C rated value	55 A
• at AC-3	
— at 400 V rated value	41 A
— at 500 V rated value	41 A
— at 690 V rated value	24 A
• at AC-3e	
— at 400 V rated value	41 A
— at 500 V rated value	41 A
— at 690 V rated value	24 A
• at AC-4 at 400 V rated value	35 A
• at AC-5a up to 690 V rated value	52.8 A
• at AC-5b up to 400 V rated value	33.2 A
• at AC-6a	
— up to 230 V for current peak value n=20 rated value	36.5 A
— up to 400 V for current peak value n=20 rated value	36.5 A
— up to 500 V for current peak value n=20 rated value	36.5 A
— up to 690 V for current peak value n=20 rated value	24 A
• at AC-6a	
— up to 230 V for current peak value n=30 rated value	24.2 A
— up to 400 V for current peak value n=30 rated value	24.2 A
— up to 500 V for current peak value n=30 rated value	24.2 A
— up to 690 V for current peak value n=30 rated value	24 A
minimum cross-section in main circuit at maximum AC-1 rated value	16 mm ²
operational current for approx. 200000 operating cycles at AC-4	
• at 400 V rated value	22 A
• at 690 V rated value	18.5 A
operational current	
• at 1 current path at DC-1	
— at 24 V rated value	55 A
— at 60 V rated value	23 A
— at 110 V rated value	4.5 A
— at 220 V rated value	1 A
— at 440 V rated value	0.4 A
— at 600 V rated value	0.25 A
• with 2 current paths in series at DC-1	
— at 24 V rated value	55 A
— at 60 V rated value	45 A
— at 110 V rated value	45 A

— at 220 V rated value	5 A
— at 440 V rated value	1 A
— at 600 V rated value	0.8 A
• with 3 current paths in series at DC-1	
— at 24 V rated value	55 A
— at 60 V rated value	55 A
— at 110 V rated value	55 A
— at 220 V rated value	45 A
— at 440 V rated value	2.9 A
— at 600 V rated value	1.4 A
• at 1 current path at DC-3 at DC-5	
— at 24 V rated value	35 A
— at 60 V rated value	6 A
— at 220 V rated value	1 A
— at 440 V rated value	0.1 A
— at 600 V rated value	0.06 A
• with 2 current paths in series at DC-3 at DC-5	
— at 24 V rated value	55 A
— at 60 V rated value	45 A
— at 110 V rated value	25 A
— at 220 V rated value	5 A
— at 440 V rated value	0.27 A
— at 600 V rated value	0.16 A
• with 3 current paths in series at DC-3 at DC-5	
— at 24 V rated value	55 A
— at 60 V rated value	55 A
— at 110 V rated value	55 A
— at 220 V rated value	25 A
— at 440 V rated value	0.6 A
— at 600 V rated value	0.35 A
operating power	
• at AC-2 at 400 V rated value	18.5 kW
• at AC-3	
— at 230 V rated value	11 kW
— at 400 V rated value	18.5 kW
— at 500 V rated value	22 kW
— at 690 V rated value	22 kW
• at AC-3e	
— at 230 V rated value	11 kW
— at 400 V rated value	18.5 kW
— at 500 V rated value	22 kW
— at 690 V rated value	22 kW
operating power for approx. 200000 operating cycles at AC-4	
• at 400 V rated value	11.6 kW
• at 690 V rated value	16.8 kW
operating apparent power at AC-6a	
• up to 400 V for current peak value n=20 rated value	25.2 kVA
• up to 500 V for current peak value n=20 rated value	31.6 kVA
• up to 690 V for current peak value n=20 rated value	28.6 kVA
operating apparent power at AC-6a	
• up to 230 V for current peak value n=30 rated value	9.6 kVA
• up to 400 V for current peak value n=30 rated value	16.8 kVA
• up to 500 V for current peak value n=30 rated value	21 kVA
• up to 690 V for current peak value n=30 rated value	28.6 kVA
short-time withstand current in cold operating state up to 40 °C	
• limited to 1 s switching at zero current maximum	843 A; Use minimum cross-section acc. to AC-1 rated value
• limited to 5 s switching at zero current maximum	596 A; Use minimum cross-section acc. to AC-1 rated value

<ul style="list-style-type: none"> • limited to 10 s switching at zero current maximum • limited to 30 s switching at zero current maximum • limited to 60 s switching at zero current maximum 	400 A; Use minimum cross-section acc. to AC-1 rated value
	241 A; Use minimum cross-section acc. to AC-1 rated value
	196 A; Use minimum cross-section acc. to AC-1 rated value
no-load switching frequency	
<ul style="list-style-type: none"> • at AC • at DC 	1 000 1/h
	1 000 1/h
operating frequency	
<ul style="list-style-type: none"> • at AC-1 maximum • at AC-2 maximum • at AC-3 maximum • at AC-3e <ul style="list-style-type: none"> — maximum • at AC-4 maximum 	1 000 1/h
	750 1/h
	1 000 1/h
	1 000 1/h
	300 1/h
Control circuit/ Control	
type of voltage of the control supply voltage	AC/DC
control supply voltage at AC	
<ul style="list-style-type: none"> • at 50 Hz rated value • at 60 Hz rated value 	83 ... 150 V
	83 ... 150 V
control supply voltage at DC rated value	83 ... 150 V
operating range factor control supply voltage rated value of magnet coil at DC	
<ul style="list-style-type: none"> • initial value • full-scale value 	0.8
	1.1
operating range factor control supply voltage rated value of magnet coil at AC	
<ul style="list-style-type: none"> • at 50 Hz • at 60 Hz 	0.8 ... 1.1
	0.8 ... 1.1
type of PLC-control input according to IEC 60947-1	Type 1
consumed current at PLC-control input according to IEC 60947-1 maximum	11 mA
voltage at PLC-control input rated value	24 V
operating range factor of the voltage at PLC-control input	0.8 ... 1.1
design of the surge suppressor	with varistor
inrush current peak	25 A
duration of inrush current peak	10 µs
pickup current mean value	0.34 A
pickup current peak	0.8 A
duration of pickup current	230 ms
holding current mean value	0.015 A
apparent pick-up power of magnet coil at AC	
<ul style="list-style-type: none"> • at 50 Hz • at 60 Hz 	40 VA
	40 VA
apparent holding power	
<ul style="list-style-type: none"> • at minimum rated control supply voltage at DC • at maximum rated control supply voltage at DC 	2 VA
	2 VA
apparent holding power	
<ul style="list-style-type: none"> • at minimum rated control supply voltage at AC <ul style="list-style-type: none"> — at 50 Hz — at 60 Hz • at maximum rated control supply voltage at AC <ul style="list-style-type: none"> — at 50 Hz — at 60 Hz 	2 VA
	2 VA
	2 VA
	2 VA
	2 VA
apparent holding power of magnet coil at AC	
<ul style="list-style-type: none"> • at 50 Hz • at 60 Hz 	2 VA
	2 VA
inductive power factor with the holding power of the coil	
<ul style="list-style-type: none"> • at 50 Hz • at 60 Hz 	0.95
	0.95
closing power of magnet coil at DC	40 W
holding power of magnet coil at DC	1.6 W

closing delay	
• at AC	35 ... 110 ms
• at DC	35 ... 110 ms
opening delay	
• at AC	30 ... 55 ms
• at DC	30 ... 55 ms
recovery time after power failure typical	2.1 s
arcing time	10 ... 20 ms
control version of the switch operating mechanism	Fail-safe PLC input (F-PLC-IN)
Auxiliary circuit	
number of NC contacts for auxiliary contacts instantaneous contact	1
number of NO contacts for auxiliary contacts instantaneous contact	0
operational current at AC-12 maximum	10 A
operational current at AC-15	
• at 230 V rated value	10 A
• at 400 V rated value	3 A
• at 500 V rated value	2 A
• at 690 V rated value	1 A
operational current at DC-12	
• at 24 V rated value	10 A
• at 48 V rated value	6 A
• at 60 V rated value	6 A
• at 110 V rated value	3 A
• at 125 V rated value	2 A
• at 220 V rated value	1 A
• at 600 V rated value	0.15 A
operational current at DC-13	
• at 24 V rated value	10 A
• at 48 V rated value	2 A
• at 60 V rated value	2 A
• at 110 V rated value	1 A
• at 125 V rated value	0.9 A
• at 220 V rated value	0.3 A
• at 600 V rated value	0.1 A
contact reliability of auxiliary contacts	1 faulty switching per 100 million (17 V, 1 mA)
UL/CSA ratings	
full-load current (FLA) for 3-phase AC motor	
• at 480 V rated value	40 A
• at 600 V rated value	41 A
yielded mechanical performance [hp]	
• for single-phase AC motor	
— at 110/120 V rated value	3 hp
— at 230 V rated value	7.5 hp
• for 3-phase AC motor	
— at 200/208 V rated value	10 hp
— at 220/230 V rated value	15 hp
— at 460/480 V rated value	30 hp
— at 575/600 V rated value	40 hp
contact rating of auxiliary contacts according to UL	A600 / P600
Short-circuit protection	
design of the miniature circuit breaker for short-circuit protection of the auxiliary circuit up to 230 V	C characteristic: 10 A; 0.4 kA
design of the fuse link	
• for short-circuit protection of the main circuit	
— with type of coordination 1 required	gG: 160 A (690 V, 100 kA), aM: 80 A (690 V, 100 kA), BS88: 125 A (415 V, 80 kA)
— with type of coordination 2 required	gG: 80 A (690 V, 100 kA), aM: 50 A (690 V, 100 kA), BS88: 63 A (415 V, 80 kA)
• for short-circuit protection of the auxiliary switch required	gG: 10 A (500 V, 1 kA)

Installation/ mounting/ dimensions

mounting position	+/-180° rotation possible on vertical mounting surface; can be tilted forward and backward by +/- 22.5° on vertical mounting surface
fastening method side-by-side mounting	Yes
fastening method	screw and snap-on mounting onto 35 mm DIN rail according to DIN EN 60715
height	114 mm
width	55 mm
depth	130 mm
required spacing	
<ul style="list-style-type: none"> ● with side-by-side mounting <ul style="list-style-type: none"> — forwards — upwards — downwards — at the side ● for grounded parts <ul style="list-style-type: none"> — forwards — upwards — at the side — downwards ● for live parts <ul style="list-style-type: none"> — forwards — upwards — downwards — at the side 	10 mm 10 mm 10 mm 0 mm 10 mm 10 mm 6 mm 10 mm 10 mm 10 mm 10 mm 6 mm

Connections/ Terminals

type of electrical connection	
<ul style="list-style-type: none"> ● for main current circuit ● for auxiliary and control circuit ● at contactor for auxiliary contacts ● of magnet coil 	screw-type terminals screw-type terminals Screw-type terminals Screw-type terminals
type of connectable conductor cross-sections	
<ul style="list-style-type: none"> ● for main contacts <ul style="list-style-type: none"> — solid or stranded — finely stranded with core end processing ● for AWG cables for main contacts 	2x (1 ... 35 mm ²), 1x (1 ... 50 mm ²) 2x (1 ... 25 mm ²), 1x (1 ... 35 mm ²) 2x (18 ... 2), 1x (18 ... 1)
connectable conductor cross-section for main contacts	
<ul style="list-style-type: none"> ● finely stranded with core end processing 	1 ... 35 mm ²
connectable conductor cross-section for auxiliary contacts	
<ul style="list-style-type: none"> ● solid or stranded ● finely stranded with core end processing 	0.5 ... 2.5 mm ² 0.5 ... 2.5 mm ²
type of connectable conductor cross-sections	
<ul style="list-style-type: none"> ● for auxiliary contacts <ul style="list-style-type: none"> — solid or stranded — finely stranded with core end processing ● for AWG cables for auxiliary contacts 	2x (0.5 ... 1.5 mm ²), 2x (0.75 ... 2.5 mm ²) 2x (0.5 ... 1.5 mm ²), 2x (0.75 ... 2.5 mm ²) 2x (20 ... 16), 2x (18 ... 14)
AWG number as coded connectable conductor cross section for main contacts	18 ... 1
AWG number as coded connectable conductor cross section for auxiliary contacts	20 ... 14

Safety related data

product function	
<ul style="list-style-type: none"> ● mirror contact according to IEC 60947-4-1 ● positively driven operation according to IEC 60947-5-1 ● suitable for safety function 	Yes No Yes
suitability for use safety-related switching OFF	Yes
safe state	off
test wear-related service life necessary	Yes
diagnostics test interval by internal test function maximum	28 800 s
stop category according to IEC 60204-1	0
proportion of dangerous failures	

• with low demand rate according to SN 31920	40 %
• with high demand rate according to SN 31920	73 %
B10 value with high demand rate according to SN 31920	1 000 000
failure rate [FIT] with low demand rate according to SN 31920	100 FIT
MTBF	52 a
IEC 62061	
Safety Integrity Level (SIL) according to IEC 62061	SIL 2
PFHD with high demand rate according to IEC 62061	7.7E-8 1/h
ISO 13849	
performance level (PL) according to ISO 13849-1	PL c
category according to ISO 13849-1	2
device type according to ISO 13849-1	1
overdimensioning according to ISO 13849-2 necessary	Yes
IEC 61508	
Safety Integrity Level (SIL) according to IEC 61508	2
safety device type according to IEC 61508-2	Type B
PFHD with high demand rate according to IEC 61508	7.7E-8 1/h
PFDAvg with low demand rate according to IEC 61508	0.0067
Safe failure fraction (SFF)	96 %
hardware fault tolerance according to IEC 61508	0
T1 value of service life according to IEC 61508	20 a
Electrical Safety	
protection class IP on the front according to IEC 60529	IP20
touch protection on the front according to IEC 60529	finger-safe, for vertical contact from the front

Approvals Certificates

Environment	General Product Approval
--------------------	---------------------------------

[Environmental Conformations](#)



General Product Approval	EMV	Functional Safety	Test Certificates	Maritime application
---------------------------------	------------	--------------------------	--------------------------	-----------------------------



[Type Examination Certificate](#)

[Type Test Certificates/Test Report](#)



Maritime application	other
-----------------------------	--------------



[Miscellaneous](#)

[Confirmation](#)

other	Railway
--------------	----------------



[Special Test Certificate](#)

Further information

- Information on the packaging
<https://support.industry.siemens.com/cs/ww/en/view/109813875>
- Information for data generation and storage
<https://support.industry.siemens.com/cs/ww/en/view/109995012>
- Information- and Downloadcenter (Catalogs, Brochures,...)
<https://www.siemens.com/ic10>

Industry Mall (Online ordering system)

<https://mall.industry.siemens.com/mall/en/en/Catalog/product?mlfb=3RT2035-1SF30>

Service&Support (Manuals, Certificates, Characteristics, FAQs,...)

<https://support.industry.siemens.com/cs/ww/en/ps/3RT2035-1SF30>

Image database (product images, 2D dimension drawings, 3D models, device circuit diagrams, EPLAN macros, ...)

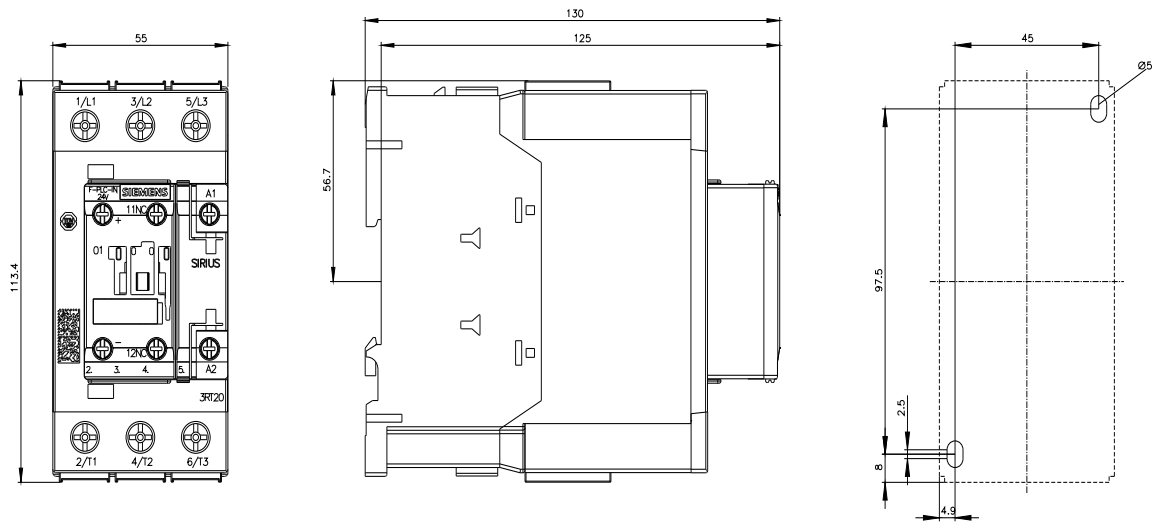
https://www.automation.siemens.com/bilddb/cax_de.aspx?mlfb=3RT2035-1SF30&lang=en

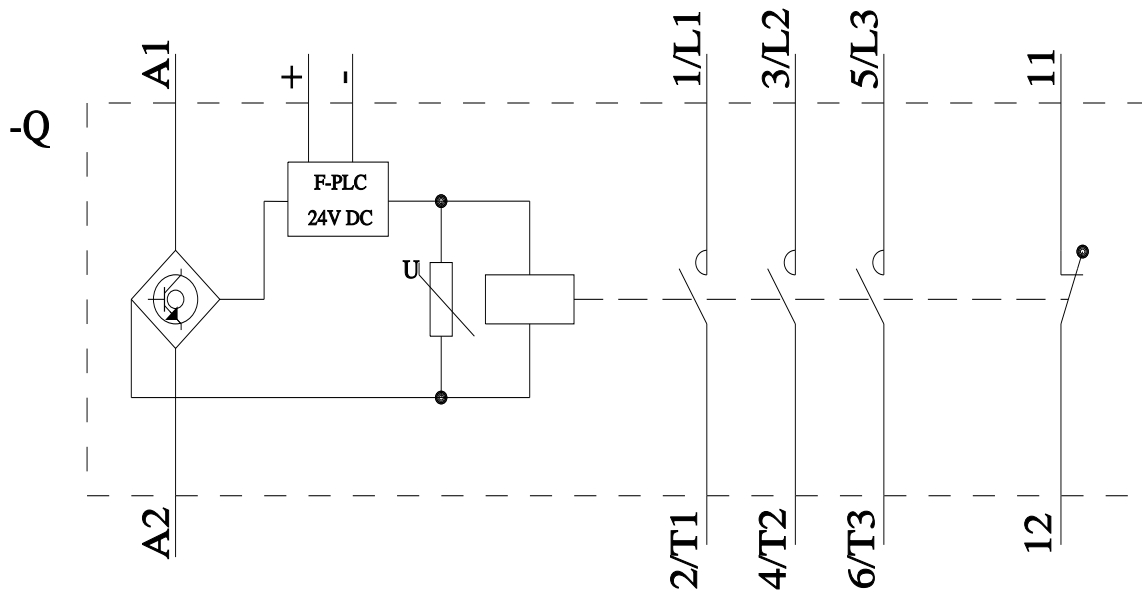
Cax online generator

<https://support.automation.siemens.com/WW/CAXorder/default.aspx?lang=en&mlfb=3RT2035-1SF30>

Characteristic curves

https://curves.simaris.siemens.com/curves/<mmp_prod_noCOMP='HAUPT'></mmp_prod_no>





last modified:

4/30/2026