



Surge suppressor RC For plugging onto contactors 3RT7 S00

product brand name	SIRIUS
product category	Surge suppressor
product designation	RC element
product type designation	3RT79

**General technical data**

certificate of suitability	CE
size of contactor	S00
Substance Prohibitance (day/month/year)	06/15/2022
Net Weight	7 g
type of voltage of the control supply voltage	AC/DC
control supply voltage at AC	
• at 50 Hz rated value	0 V
• at 50 Hz rated value	127 ... 240 V
• at 60 Hz rated value	127 ... 240 V
control supply voltage frequency	
• 1 rated value	50 Hz
• 2 rated value	60 Hz
control supply voltage at DC rated value	0 V
control supply voltage at DC rated value	150 ... 250 V
design of the surge suppressor	RC element

**Ambient conditions**

ambient temperature	
• during operation	-10 ... +55 °C
• during storage	-25 ... +70 °C

**Installation/ mounting/ dimensions**

mounting position	any
fastening method	clip-on
height	46 mm
width	28 mm
depth	9 mm

**Approvals Certificates**

Environment	General Product Approval	EMV	other
-------------	--------------------------	-----	-------

[Environmental Confirmations](#)



[Confirmation](#)



**Further information**

Information on the packaging

<https://support.industry.siemens.com/cs/ww/en/view/109813875>

Information for data generation and storage

<https://support.industry.siemens.com/cs/ww/en/view/109995012>

Information- and Downloadcenter (Catalogs, Brochures,...)

<https://www.siemens.com/ic10>

Industry Mall (Online ordering system)

<https://mall.industry.siemens.com/mall/en/en/Catalog/product?mlfb=3RT7916-1CD00>

Cax online generator

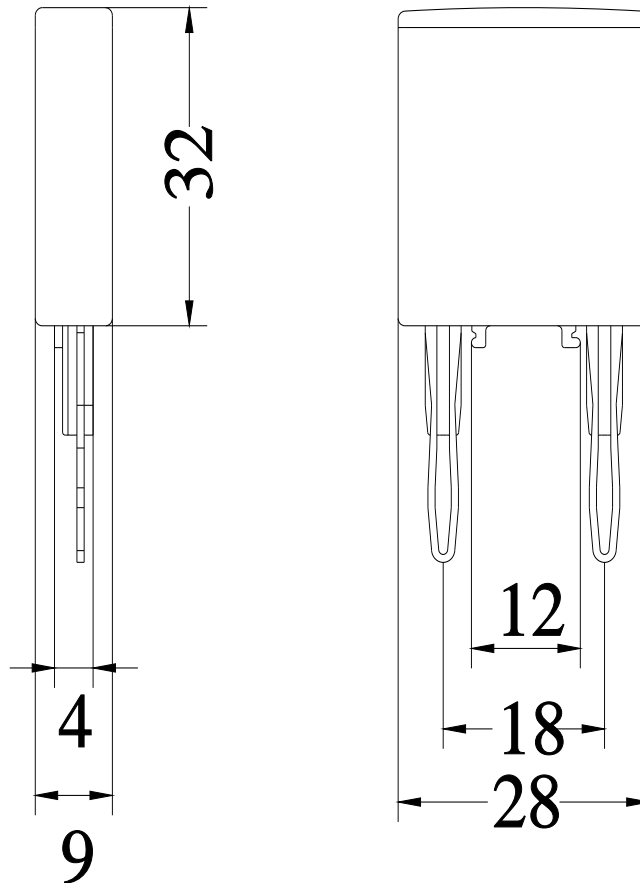
<https://support.automation.siemens.com/WW/CAXorder/default.aspx?lang=en&mlfb=3RT7916-1CD00>

Service&Support (Manuals, Certificates, Characteristics, FAQs,...)

<https://support.industry.siemens.com/cs/ww/en/ps/3RT7916-1CD00>

Image database (product images, 2D dimension drawings, 3D models, device circuit diagrams, EPLAN macros, ...)

[https://www.automation.siemens.com/bilddb/cax\\_de.aspx?mlfb=3RT7916-1CD00&lang=en](https://www.automation.siemens.com/bilddb/cax_de.aspx?mlfb=3RT7916-1CD00&lang=en)



last modified:

4/3/2025