

POSITION SWITCH ENCLOSED DEGREE OF PROTECTION IP65, EN 50 041, SLOW ACTION CONTACTS 1N0+1NC, ROLLER CRANK, ADJUSTABLE LENGTH 1 X M20 X 1,5

product designation	position switch		
suitability for use safety switch	No		
<b>General technical data</b>			
protection class IP	IP66		
reference code according to IEC 81346-2	B		
active principle	mechanical		
Substance Prohibitance (day/month/year)	07/01/2006		
Net Weight	0.184 kg		
length of the sensor	182.5 mm		
width of the sensor	40 mm		
<b>Ambient conditions</b>			
ambient temperature	-30 ... +85 °C		
• during operation			
explosion protection category for dust	none		
design of the switching contact	mechanical		
number of NC contacts for auxiliary contacts	1		
number of NO contacts for auxiliary contacts	1		
<b>Enclosure</b>			
design of the housing	design complying with EN 50041		
material of the enclosure	glass fiber reinforced thermoplast		
coating of the enclosure	Other types		
design of the housing according to standard	Yes		
<b>Drive Head</b>			
design of the actuating element	twist lever, adjustable length		
design of the switching function	CO contact		
circuit principle	slow-action contacts		
number of switching contacts safety-related	1		
<b>Installation/ mounting/ dimensions</b>			
fastening method	screw fixing		
<b>Connections/ Terminals</b>			
type of electrical connection	screw terminal		
design of the interface for safety-related communication	without		
<b>Communication/ Protocol</b>			
design of the interface	without		
<b>Approvals Certificates</b>			
General Product Approval	Test Certificates	Maritime application	other



[Miscellaneous](#)



[Confirmation](#)

[Confirmation](#)

other

Environment



[Environmental Con-  
firmations](#)

## Further information

### Information on the packaging

<https://support.industry.siemens.com/cs/ww/en/view/109813875>

### Information for data generation and storage

<https://support.industry.siemens.com/cs/ww/en/view/109995012>

### Information- and Downloadcenter (Catalogs, Brochures,...)

<https://www.siemens.com/ic10>

### Industry Mall (Online ordering system)

<https://mall.industry.siemens.com/mall/en/en/Catalog/product?mlfb=3SE2230-0U>

### Cax online generator

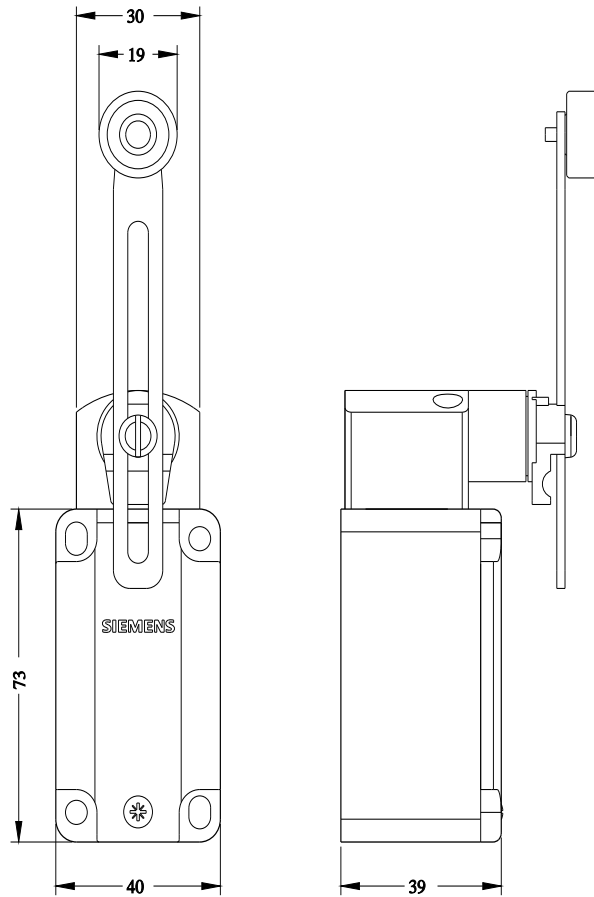
<https://support.automation.siemens.com/WW/CAXorder/default.aspx?lang=en&mlfb=3SE2230-0U>

### Service&Support (Manuals, Certificates, Characteristics, FAQs,...)

<https://support.industry.siemens.com/cs/ww/en/ps/3SE2230-0U>

### Image database (product images, 2D dimension drawings, 3D models, device circuit diagrams, EPLAN macros, ...)

[https://www.automation.siemens.com/bilddb/cax\\_de.aspx?mlfb=3SE2230-0U&lang=en](https://www.automation.siemens.com/bilddb/cax_de.aspx?mlfb=3SE2230-0U&lang=en)



last modified:

8/8/2025 