



Main

Range of Product	Telemecanique Emergency stop rope pull switches XY2C
Product or Component Type	Latching emergency stop trip wire switch
Device short name	XY2CE
Local signalling	Without pilot light
Reset	By booted push-button
Contacts type and composition	2 NC
Trigger cable anchor point	RH side

Complementary

Number of cables	1
Trigger cable maximum length	229.66 ft (70 m)
Housing colour	Red RAL 3000
Auxiliary contacts operation	Slow-break
Connections - terminals	Screw clamp terminal, 1 x 0.5...2 x 1.5 mm ²
Tightening torque	7.08...10.62 lbf.in (0.8...1.2 N.m)
Cable entry number	1 plain hole ISO M20 cable gland 2 plain hole with blanking plug
Marking	II2 D-Ex tb IIIC T85°C Db IP65
Safety level	Can reach PL = e with the appropriate monitoring system and correctly wired EN/ISO 13849-1 Can reach category 4 with the appropriate monitoring system and correctly wired EN/ISO 13849-1 Can reach SIL 3 EN/IEC 61508
Safety reliability data	B10d = 300000 value given for a life time of 20 years limited by mechanical or contact wear
Mechanical durability	60000 cycles
Distance between cable supports	32.81 ft (10 m)
[Ie] rated operational current	3 A 240 V, AC-15, A300 EN/IEC 60947-5-1 appendix A 0.27 A 250 V, DC-13, Q300 EN/IEC 60947-5-1 appendix A
[Ithe] conventional enclosed thermal current	10 A
[Ui] rated insulation voltage	400 V 3)EN/IEC 60947-1 300 VUL 508 300 VCSA C22.2 No 14
[Uimp] rated impulse withstand voltage	4 kV
Positive opening	With EN/IEC 60947-5-1 section 3
Maximum resistance across terminals	25 MOhm EN/IEC 60255-7 category 3 25 MOhm NF C 93-050 method A
Short-circuit protection	10 A cartridge fuse gG EN/IEC 60269
Width	7.68 in (195 mm)
Depth	4.13 in (105 mm)
Height	5.59 in (142 mm)

Environment

Standards	EN/IEC 60079-0 EN/IEC 60079-31
Directives	2014/34/EU - ATEX directive
Dust zone	Zone 21 - 22
Product Certifications	INERIS 04ATEX0015 IEC-Ex INE 16.0001X
Protective treatment	TC
Ambient Air Temperature for Operation	-4...140 °F (-20...60 °C)
Ambient Air Temperature for Storage	-40...158 °F (-40...70 °C)
Vibration resistance	10 gn 10...300 Hz)EN/IEC 60068-2-6
Shock resistance	50 gn 11 ms EN/IEC 60068-2-27
Electrical shock protection class	Class I EN/IEC 61140 Class I NF C 20-030
IP degree of protection	IP65

Ordering and shipping details

Category	22441-LIMIT SWITCHES,CABLE PULL
Discount Schedule	T
GTIN	3389118031050
Nbr. of units in pkg.	1
Package weight(Lbs)	3.52 lb(US) (1.597 kg)
Returnability	No
Country of origin	FR

Packing Units

Unit Type of Package 1	PCE
Package 1 Height	8.07 in (20.5 cm)
Package 1 width	6.10 in (15.5 cm)
Package 1 Length	3.54 in (9.0 cm)
Unit Type of Package 2	CAR
Number of Units in Package 2	1
Package 2 Weight	3.52 lb(US) (1.597 kg)
Package 2 Height	3.54 in (9.0 cm)
Package 2 width	6.69 in (17.0 cm)
Package 2 Length	7.87 in (20.0 cm)

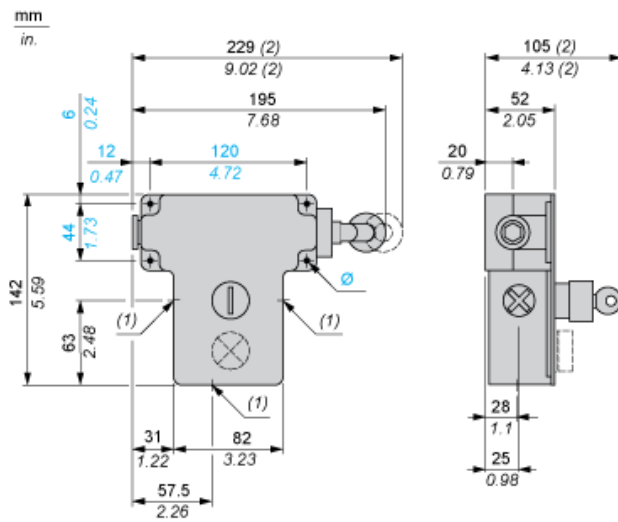
Offer Sustainability

Sustainable offer status	Green Premium product
California proposition 65	WARNING: This product can expose you to chemicals including: Diisononyl phthalate (DINP), which is known to the State of California to cause cancer, and Di-isodecyl phthalate (DIDP), which is known to the State of California to cause birth defects or other reproductive harm. For more information go to www.P65Warnings.ca.gov
REACH Regulation	REACH Declaration
EU RoHS Directive	Pro-active compliance (Product out of EU RoHS legal scope) EU RoHS Declaration
Mercury free	Yes
RoHS exemption information	Yes
Environmental Disclosure	Product Environmental Profile

Contractual warranty

Warranty	18 months
----------	-----------

Dimensions

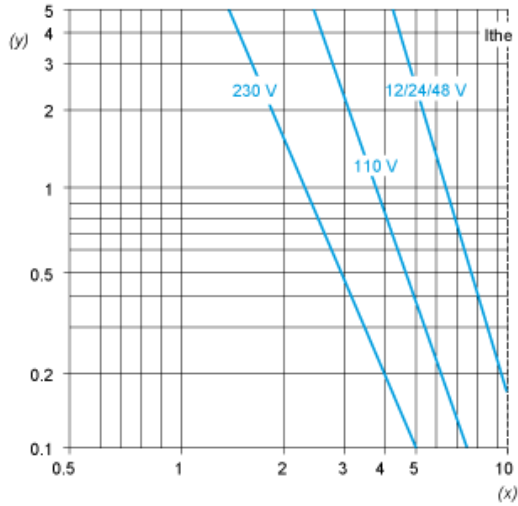


- (1) 3 plain holes for n° 13 (Pg 13.5) cable gland
- (2) Maximum extension.
- Ø 4 elongated holes Ø 6 mm/0.24 in.

Electrical Curves

AC Supply 50/60 Hz Inductive Circuit

2-pole Contact Block



Y Millions of operating cycles
X Current in A

DC Supply Power Broken in for 1 Million Operating Cycles Inductive Circuit

Voltage	V	24	48	120
P_{max}	W	13	9	7