



Figure similar

AS Interface user module IP67 Phased-out product !!! For further information, please contact our sales department digital, 4 DI 4 x 1 input, max. 100 mA, PNP 4 x M12 socket

General technical data		
design of the product		digital I/O modules for operation in the field, IP67 - user modules
design of the device type		standard slave
protocol is supported AS-Interface protocol		Yes
type of electrical connection of the inputs and outputs		M12 screw-type terminals
reference code according to DIN 40719 extended according to IEC 204-2 according to IEC 750		A
reference code according to EN 61346-2		K
Inputs		
number of digital inputs		4
type of voltage of the input voltages		DC
input voltage	V	20 ... 30
input current at digital input		
• for signal <1> minimum	mA	5
• with signal <0> maximum	mA	1.5
design of the pin assignment of the inputs		standard assignment
Outputs		
number of digital outputs		0
design of the pin assignment of the outputs		standard assignment
property of the output short-circuit proof		No
Ambient conditions		
ambient temperature		
• during storage	°C	-40 ... +85
• during operation	°C	-25 ... +85
protection class IP		IP67
Mechanical data		
width	mm	45
height	mm	80
depth	mm	27
fastening method		standard rail mounting/wall mounting using coupling module
type of connection technology		2- and 3-wire technology
Certificates/ approvals		
General Product Approval		Maritime application other



[Confirmation](#)

other

Environment

[Miscellaneous](#)



[Confirmation](#)

[Environmental Confirmations](#)

Further information

Information on the packaging

<https://support.industry.siemens.com/cs/ww/en/view/109813875>

Information for data generation and storage

<https://support.industry.siemens.com/cs/ww/en/view/109995012>

Information- and Downloadcenter (Catalogs, Brochures,...)

<https://www.siemens.com/ic10>

Industry Mall (Online ordering system)

<https://mall.industry.siemens.com/mall/en/en/Catalog/product?mlfb=3RG9001-0AA00>

Cax online generator

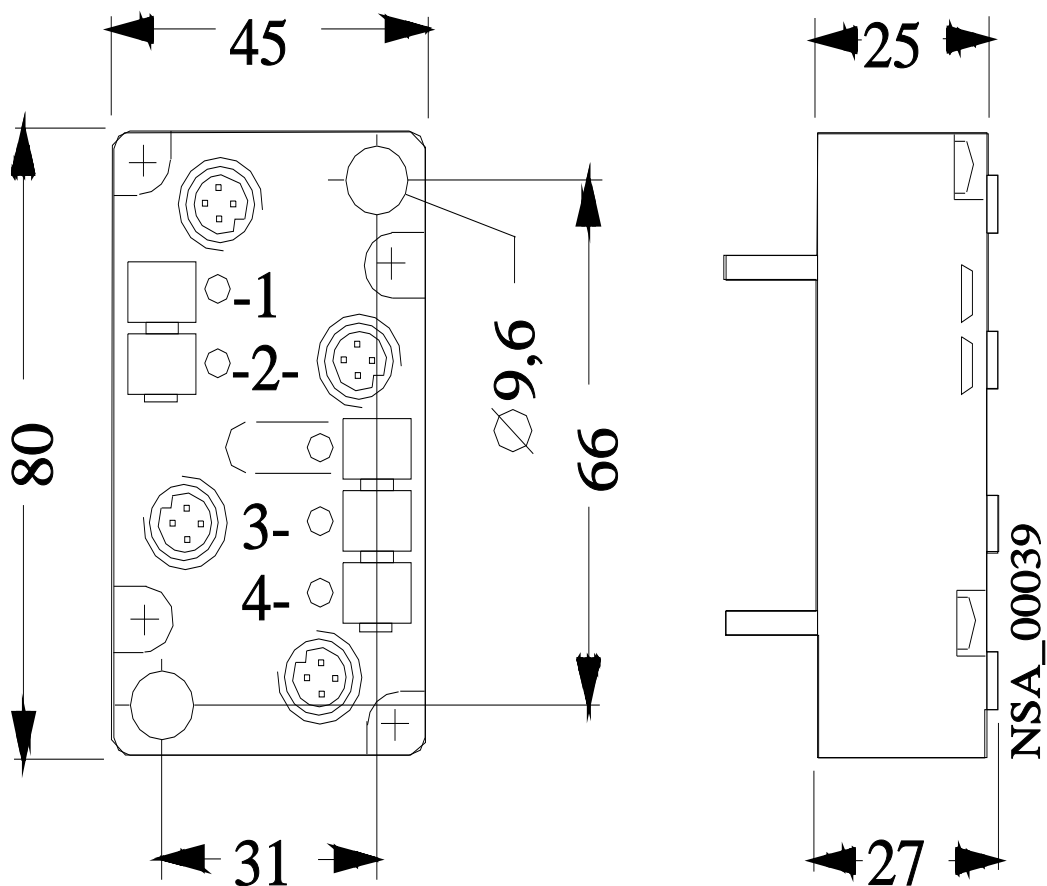
<https://support.automation.siemens.com/WW/CAXorder/default.aspx?lang=en&mlfb=3RG9001-0AA00>

Service&Support (Manuals, Certificates, Characteristics, FAQs,...)

<https://support.industry.siemens.com/cs/ww/en/ps/3RG9001-0AA00>

Image database (product images, 2D dimension drawings, 3D models, device circuit diagrams, EPLAN macros, ...)

https://www.automation.siemens.com/bilddb/cax_de.aspx?mlfb=3RG9001-0AA00&lang=en





last modified:

8/8/2025 