



magnetically operated switch contact block 25 x 88 mm, 1 NO+2 NC with 3 m connection cable LIYY, 6 x 0.25 mm<sup>2</sup> required solenoid 3SE6704-2BA

<b>product brand name</b>	SIRIUS
<b>product designation</b>	Magnetically operated switch
<b>design of the product</b>	Rectangular sensor unit
<b>product type designation</b>	3SE66
suitability for use safety-related circuits	Yes
<b>General technical data</b>	
<b>product function</b>	
• positive opening	No
• cross-circuit/short-circuit recognition	Yes
type of voltage of the operating voltage	AC/DC
<b>protection class IP</b>	IP67
<b>shock resistance according to IEC 60068-2-27</b>	Sinusoidal half-wave 30 g / 11 ms
<b>vibration resistance according to IEC 60068-2-6</b>	10 ... 55 Hz: 1 mm
<b>reference code according to IEC 81346-2</b>	S
<b>Substance Prohibitance (day/month/year)</b>	07/01/2006
<b>Net Weight</b>	0.191 kg
<b>height of the sensor</b>	13 mm
<b>length of the sensor</b>	88 mm
<b>width of the sensor</b>	25 mm
<b>material of the active sensor area</b>	Plastic, glass-fiber reinforced thermoplastic
<b>Ambient conditions</b>	
ambient temperature during operation	-25 ... +70 °C
<b>Control circuit/ Control</b>	
<b>type of voltage</b>	AC/DC
operating voltage rated value	100 V
<b>operational current rated value</b>	250 mA
operating power rated value	3 W
<b>number of NC contacts for auxiliary contacts</b>	2
<b>number of NO contacts for auxiliary contacts</b>	1
<b>Enclosure</b>	
<b>design of the housing</b>	block
<b>material of the enclosure</b>	Plastic, glass-fiber reinforced thermoplastic
<b>material of cable sheath</b>	PVC
<b>Actuator</b>	
<b>design of the actuating element</b>	magnet
<b>Display</b>	
<b>evaluation unit required</b>	yes
<b>Contact</b>	
<b>circuit principle</b>	reed switches

switching frequency	5 Hz	
assured operating distance OFF	15 mm	
assured operating distance ON	5 mm	
design of the switching function	NC contact and NO contact	
<b>Installation/ mounting/ dimensions</b>		
fastening method	screw fixing	
<b>Connections/ Terminals</b>		
type of electrical connection	cable	
wire length	3 m	
<b>Inputs/ Outputs</b>		
type of switching output	Reed contacts	
<b>Safety related data</b>		
category according to EN 954-1	4	
ISO 13849		
performance level (PL) according to EN ISO 13849-1	e	
IEC 61508		
Safety Integrity Level (SIL) according to IEC 61508	3	
<b>Approvals Certificates</b>		
General Product Approval	EMV	Functional Safety



[Miscellaneous](#)

other	Environment
<a href="#">Confirmation</a>	<a href="#">Confirmation</a>
	
	<a href="#">Environmental Confirmations</a>

#### Further information

##### Information on the packaging

<https://support.industry.siemens.com/cs/ww/en/view/109813875>

##### Information for data generation and storage

<https://support.industry.siemens.com/cs/ww/en/view/109995012>

##### Information- and Downloadcenter (Catalogs, Brochures,...)

<https://www.siemens.com/ic10>

##### Industry Mall (Online ordering system)

<https://mall.industry.siemens.com/mall/en/en/Catalog/product?mlfb=3SE6606-2BA04>

##### Cax online generator

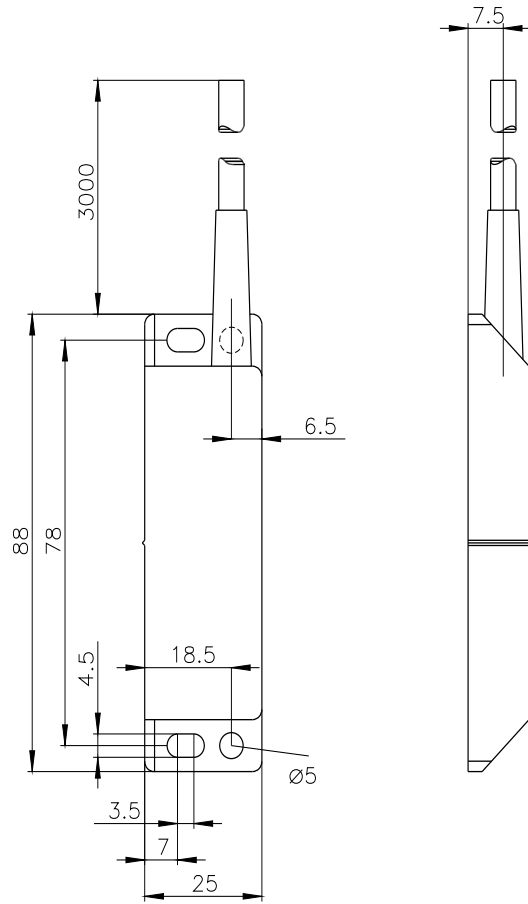
<https://support.automation.siemens.com/WW/CAXorder/default.aspx?lang=en&mlfb=3SE6606-2BA04>

##### Service&Support (Manuals, Certificates, Characteristics, FAQs,...)

<https://support.industry.siemens.com/cs/ww/en/ps/3SE6606-2BA04>

##### Image database (product images, 2D dimension drawings, 3D models, device circuit diagrams, EPLAN macros, ...)

[https://www.automation.siemens.com/bilddb/cax\\_de.aspx?mlfb=3SE6606-2BA04&lang=en](https://www.automation.siemens.com/bilddb/cax_de.aspx?mlfb=3SE6606-2BA04&lang=en)



<b>GY = Grey</b>	→	<b>13</b>
<b>PK = Pink</b>	→	<b>14</b>
<b>GN = Green</b>	→	<b>21</b>
<b>YE = Yellow</b>	→	<b>22</b>
<b>WH = White</b>	→	<b>31</b>
<b>BN = Brown</b>	→	<b>32</b>

