

Product datasheet

Specifications



controller M200 40 IO transistor SINK

TM200C40U

Disclaimer: This documentation is not intended as a substitute for and is not to be used for determining suitability or reliability of these products for specific user applications



Environmental Data

Schneider Electric aims to achieve Net Zero status by 2050 through supply chain partnerships, lower impact materials, and circularity via our ongoing “Use Better, Use Longer, Use Again” campaign to extend product lifetimes and recyclability.

[Environmental Data explained >](#)

[How we assess product sustainability >](#)

Use Longer



Lifetime extension

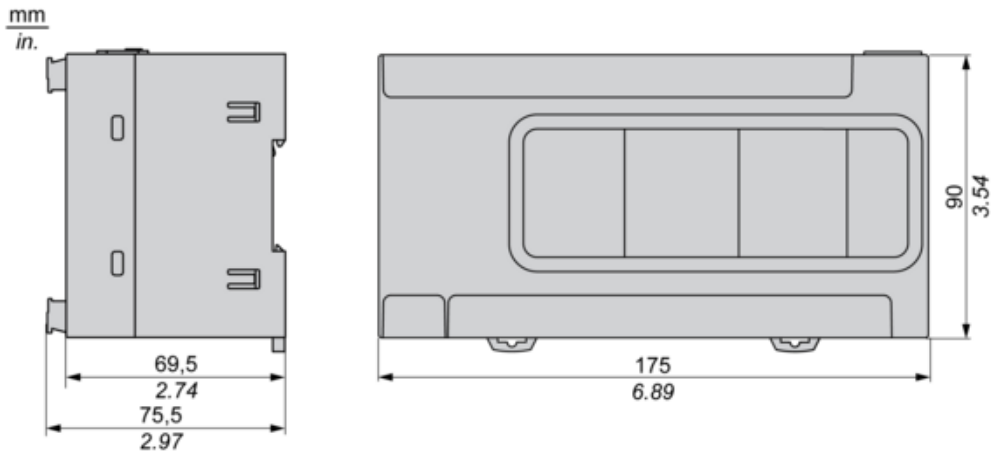
Repair

No

Dimensions Drawings

Dimensions Drawings

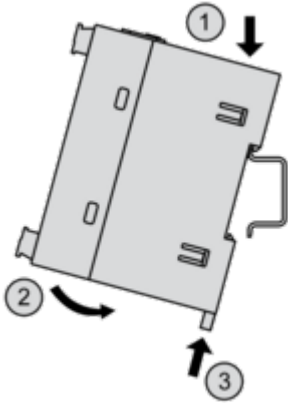
Dimensions



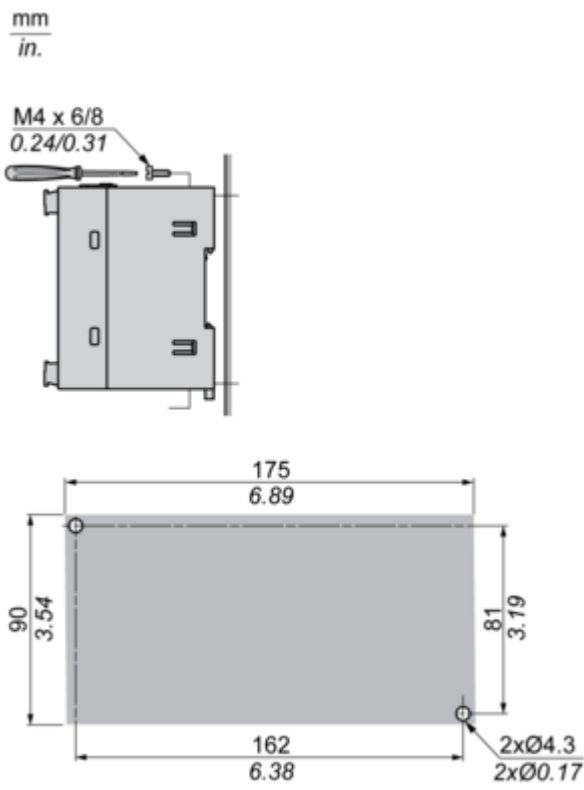
Mounting and Clearance

Mounting and Clearance

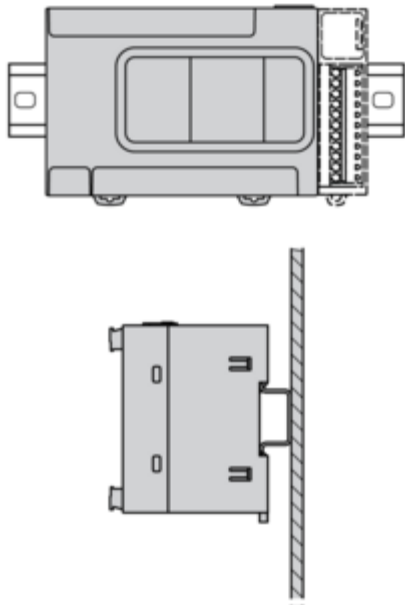
Mounting on a Rail

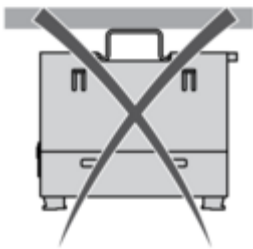
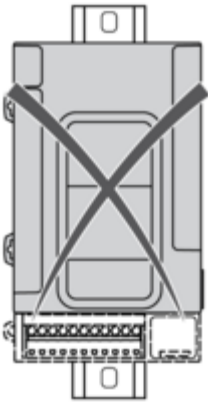
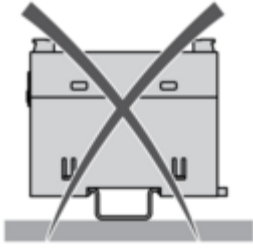


Direct Mounting on a Panel Surface



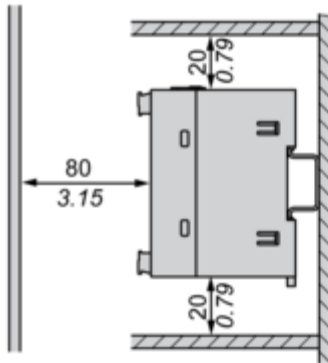
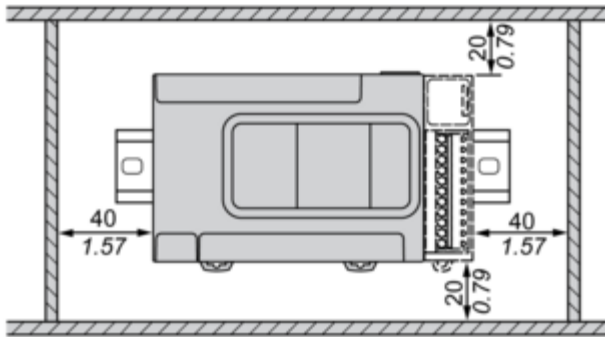
Mounting Position



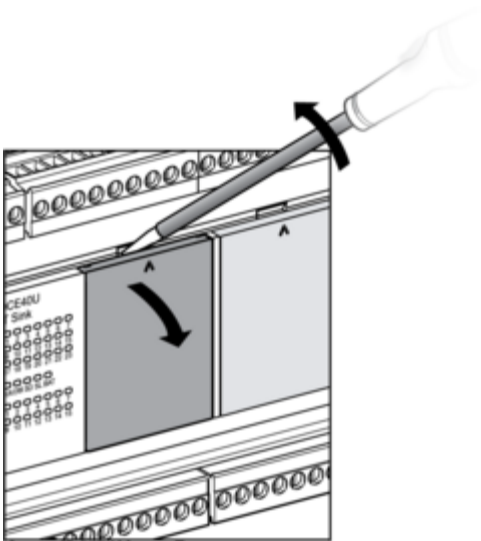


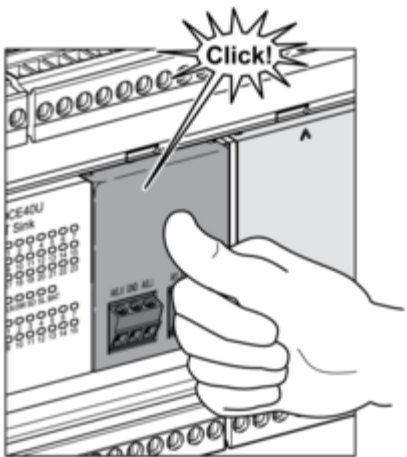
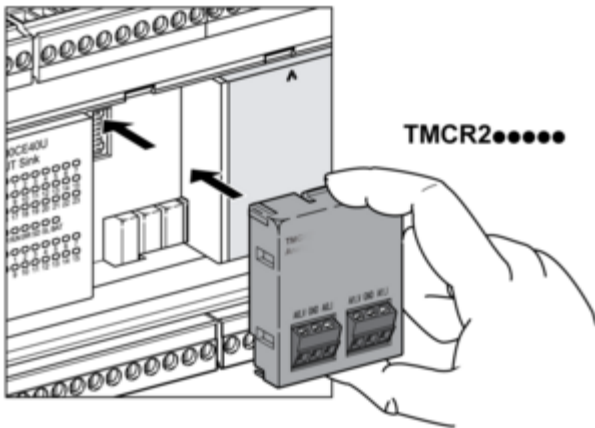
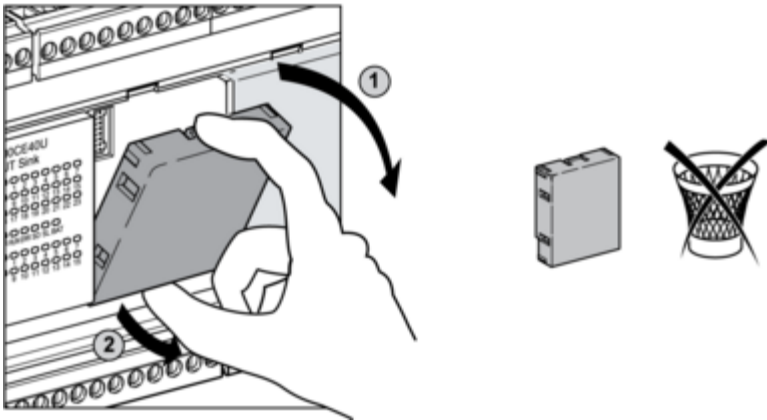
Clearance

mm
in.

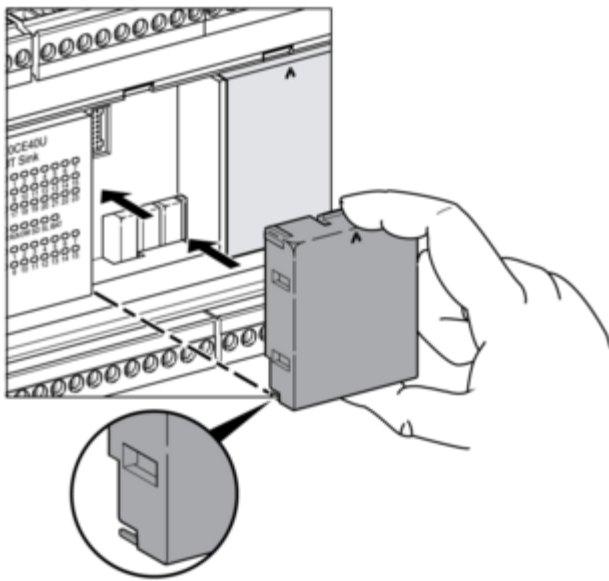
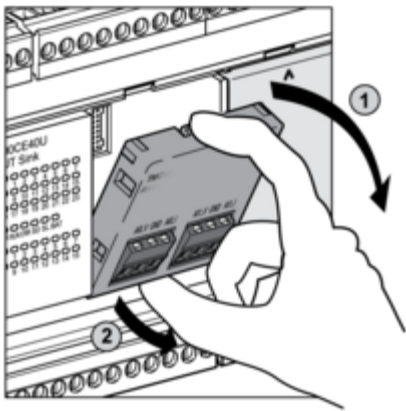
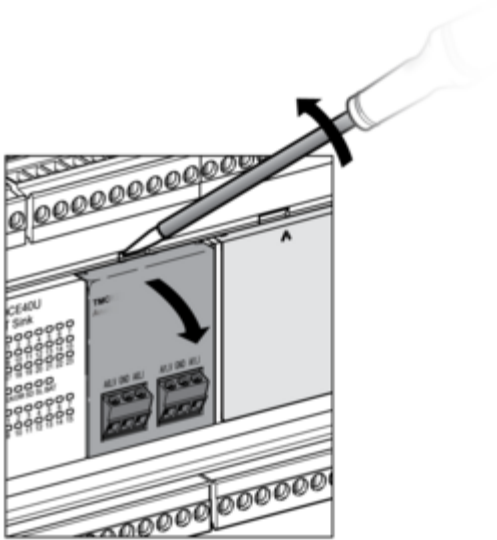


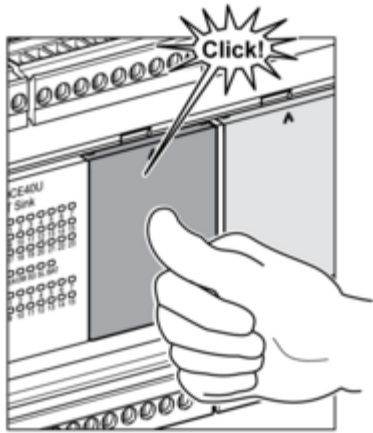
TMCR2•••Installation





TMCR2... De-Installation

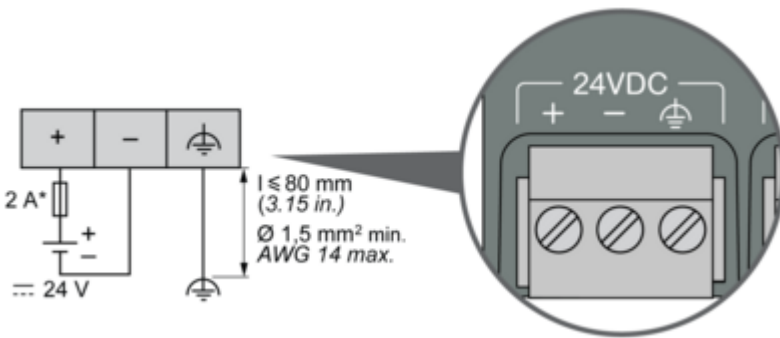
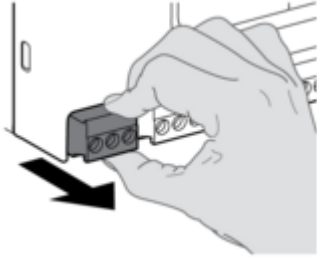




Connections and Schema

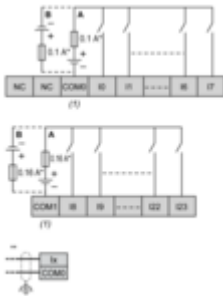
Wiring Diagram / Connections Schema

DC Power Supply



(*) Type T fuse

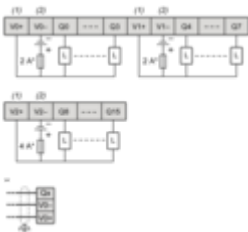
Digital Inputs (Sink or Source)



(*) Type T fuse

- A : Sink wiring (positive logic)
 - B : Source wiring (negative logic)
- (**) Fast inputs

Regular and Fast Transistor Output



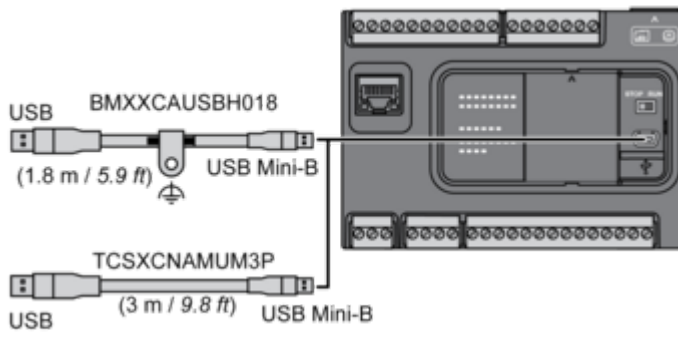
(*) Type T fuse

(**) Fast outputs

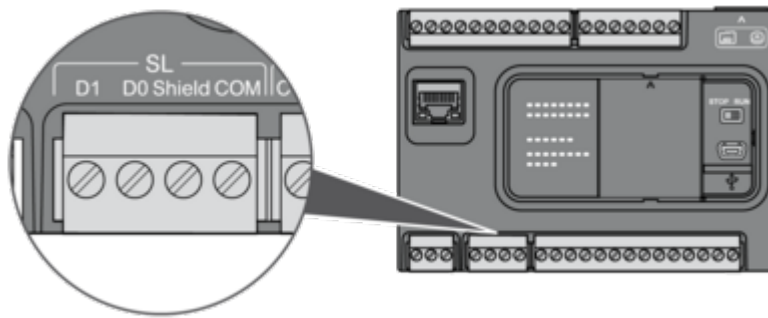
(1) The V0+, V1+ and V2+ terminals are not connected internally.

(2) The V0-, V1- and V2- terminals are not connected internally.

USB Mini-B Connection



SL1 Connection



- D1 : D1 (A+)
- D0 : D0 (B-)
- Shield : Shield
- COM : 0 V Com