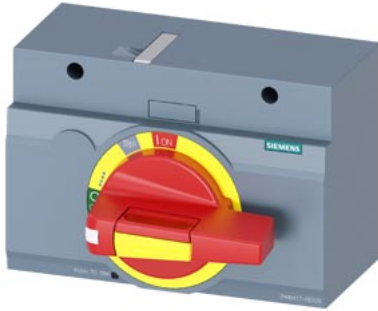


front mounted rotary operator EMERGENCY OFF with door interlock accessory for: 3VM13/14



Model	
product brand name	SETRON
product designation	Accessories
design of the product	Front rotary operating mechanism
accessories	Front rotary operator

General technical data	
protection class IP	IP30

Mechanical Design	
height	94 mm
width	138 mm
depth	108 mm
Net Weight	427 g

Certificates	
General Product Approval	Test Certificates

[Miscellaneous](#)



[Confirmation](#)



[Type Test Certificates/Test Report](#)

Maritime application	other	Environment
----------------------	-------	-------------



[Confirmation](#)



[Environmental Conformations](#)

[Environmental Conformations](#)

Further information

Information on the packaging

<https://support.industry.siemens.com/cs/ww/en/view/109813875>

Information for data generation and storage

<https://support.industry.siemens.com/cs/ww/en/view/109995012>

Information- and Downloadcenter (Catalogs, Brochures,...)

<https://www.siemens.com/lowvoltage/catalogs>

Industry Mall (Online ordering system)

<https://mall.industry.siemens.com/mall/en/en/Catalog/product?mlfb=3VM9417-0EK25>

Service&Support (Manuals, Certificates, Characteristics, FAQs,...)

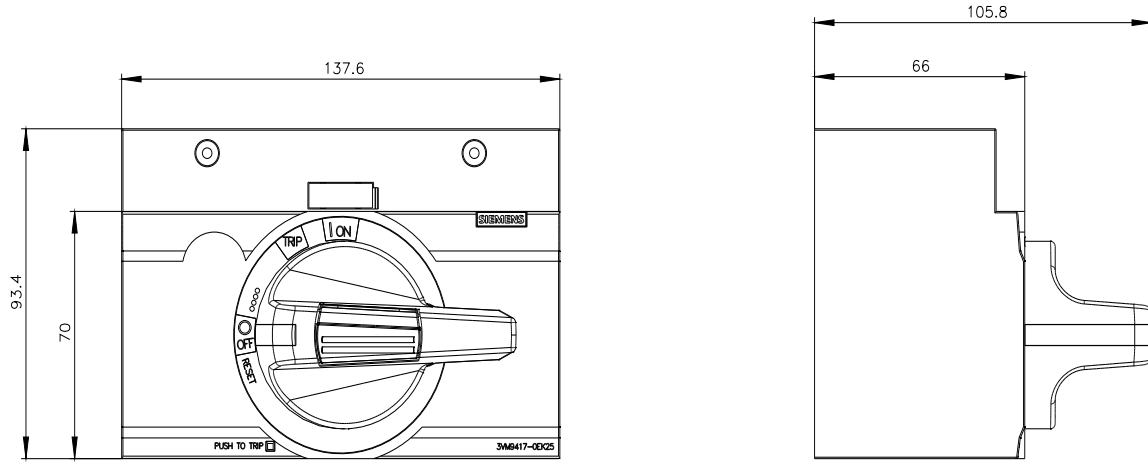
<https://support.industry.siemens.com/cs/ww/en/ps/3VM9417-0EK25>

Image database (product images, 2D dimension drawings, 3D models, device circuit diagrams, ...)

https://www.automation.siemens.com/bilddb/cax_en.aspx?mlfb=3VM9417-0EK25

CAX-Online-Generator

<https://www.siemens.com/cax>



last modified:

6/15/2025

