

Terminal block Device infeed



product brand name	SIRIUS
product category	Plugs, adapters and terminals
product designation	Terminal block
design of the product	for power outlet
product type designation	3RV29
General technical data	
certificate of suitability	CE / UL / CSA / CCC
size of the circuit-breaker	S00, S0
power loss [W] for rated value of the current at AC in hot operating state per pole	1.27 W
type of calculation of power loss current-dependent	quadratic
insulation voltage with degree of pollution 3 at AC rated value	500 V
protection class IP on the front according to IEC 60529	IP20
thermal current	32 A
Substance Prohibitance (day/month/year)	03/01/2017
Net Weight	0.035 kg
number of poles for main current circuit	3
operating voltage at AC rated value	500 V
operational current rated value	32 A
ampacity maximum	32 A
UL/CSA ratings	
operating voltage at AC according to UL rated value	600 V
Ambient conditions	
ambient temperature	
• during operation	-20 ... +60 °C
• during storage	-50 ... +80 °C
Electrical Safety	
protection class IP on the front according to IEC 60529	IP20
touch protection on the front according to IEC 60529	finger-safe, for vertical contact from the front
Installation/ mounting/ dimensions	
height	25 mm
width	26 mm
depth	60 mm
Connections/ Terminals	
type of electrical connection for main current circuit	spring-loaded terminals
type of connectable conductor cross-sections	
• for main contacts	
— solid	1x (1 ... 10 mm ²)
— stranded	1x (1 ... 10 mm ²)

— finely stranded with core end processing	1x (1 ... 6 mm ²)
• for AWG cables for main contacts	1x (18 ... 8)
connectable conductor cross-section for main contacts	
• solid or stranded	1 ... 10 mm ²
• stranded	1 ... 10 mm ²
• finely stranded with core end processing	1 ... 6 mm ²
AWG number as coded connectable conductor cross section for main contacts	18 ... 8

Approvals Certificates

Environmental Product Declaration	
• global warming potential [CO2 eq] / during manufacturing	0.313 kg
• global warming potential [CO2 eq] / during operation	8.72 kg
• global warming potential [CO2 eq] / after end of life	0.0218 kg
• global warming potential [CO2 eq] / total	9.06 kg

Environment	General Product Approval
--------------------	---------------------------------

[Environmental Confirmations](#)



Test Certificates	Maritime application	other
--------------------------	-----------------------------	--------------

[Type Test Certificates/Test Report](#)



[Miscellaneous](#)

[Confirmation](#)

other

[Miscellaneous](#)



Further information

Information on the packaging

<https://support.industry.siemens.com/cs/ww/en/view/109813875>

Information for data generation and storage

<https://support.industry.siemens.com/cs/ww/en/view/109995012>

Information- and Downloadcenter (Catalogs, Brochures,...)

<https://www.siemens.com/ic10>

Industry Mall (Online ordering system)

<https://mall.industry.siemens.com/mall/en/en/Catalog/product?mlfb=3RV2917-5FA00>

Cax online generator

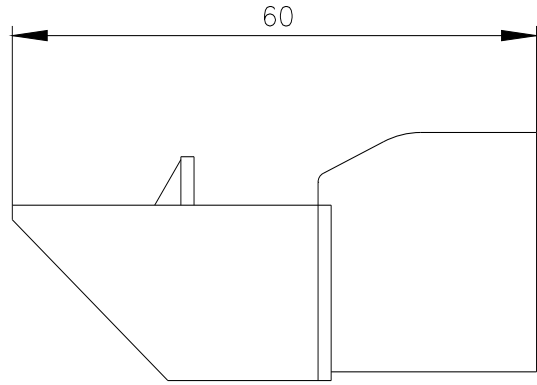
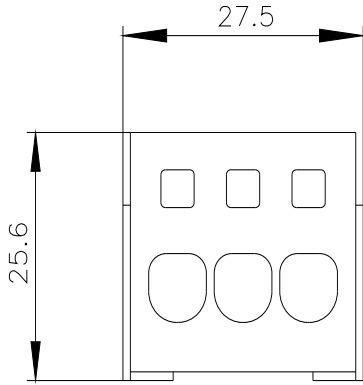
<https://support.automation.siemens.com/WW/CAXorder/default.aspx?lang=en&mlfb=3RV2917-5FA00>

Service&Support (Manuals, Certificates, Characteristics, FAQs,...)

<https://support.industry.siemens.com/cs/ww/en/ps/3RV2917-5FA00>

Image database (product images, 2D dimension drawings, 3D models, device circuit diagrams, EPLAN macros, ...)

https://www.automation.siemens.com/bilddb/cax_de.aspx?mlfb=3RV2917-5FA00&lang=en



last modified:

4/2/2025 