

# Product datasheet

Specifications



## predetermining summing counter - mechanical 5 digit display - 24 V DC

Local distributor code:

393525674

XBKP50100U20M

⚠ Discontinued on: 25 Oct 2021

EAN Code: 3389110739800

⚠ Discontinued

## Main

Range of product	Zelio Count
Product or component type	Preselection counter
Display type	Mechanical
Size	75 x 60 mm
Display digits	5 digit(s)
Counting frequency	25 Hz
Reset	Manual or electrical reset
Counting capacity	0...99999
Technology type	Electromechanical

## Complementary

[Us] rated supply voltage	24 V DC Us +/- 10 %
Power consumption in W	2.5 W
Output type	Contact (volt-free)
Preset number	1
Counting mode	Adding Subtracting
Input type	Contact (20 VA/220 V/1 A maximum)
Mounting mode	Removable Flush-mounted
Mounting support	Panel mounting
fixing mode	By screws
Connections - terminals	AMP lugs (connection box)
Height	75 mm
Number of outputs	1
Net weight	0.24 kg
Width	60 mm
Product destination	Cable
CAD overall width	60 mm
CAD overall height	75 mm
CAD overall depth	102 mm

<b>Contacts usage</b>	Volt-free contacts
<b>Input current</b>	0...1 A
<b>Rotary handle fixing</b>	Screws

## Environment

<b>Standards</b>	EN 50082-2 EN 61010 EN 50081-2
<b>Product certifications</b>	CE
<b>IP degree of protection</b>	IP40 conforming to IEC 60529
<b>Ambient air temperature for operation</b>	-10...50 °C
<b>Ambient air temperature for storage</b>	-40...85 °C
<b>Vibration resistance</b>	5 gn (f= 10...150 Hz) conforming to IEC 60068-2-6
<b>Shock resistance</b>	30 gn for 6 ms conforming to IEC 60068-2-27
<b>Electrical shock protection class</b>	Class II conforming to IEC 60536

## Packing Units

<b>Unit Type of Package 1</b>	PCE
<b>Number of Units in Package 1</b>	1
<b>Package 1 Height</b>	7.8 cm
<b>Package 1 Width</b>	12 cm
<b>Package 1 Length</b>	15.5 cm
<b>Package 1 Weight</b>	307 g

## Contractual warranty

<b>Warranty (in months)</b>	18
-----------------------------	----



## Environmental Data

Schneider Electric aims to achieve Net Zero status by 2050 through supply chain partnerships, lower impact materials, and circularity via our ongoing “Use Better, Use Longer, Use Again” campaign to extend product lifetimes and recyclability.

[Environmental Data explained >](#)

[How we assess product sustainability >](#)

### Use Better



#### Materials and Substances

EU RoHS Directive

[Compliant By Exemption](#)

### Use Longer



#### Lifetime extension

Repair

No

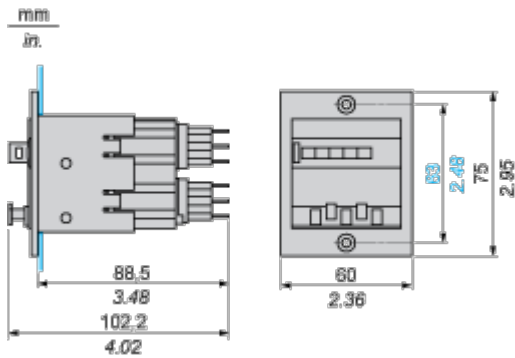
Dimensions Drawings

Electromechanical Preset Counters

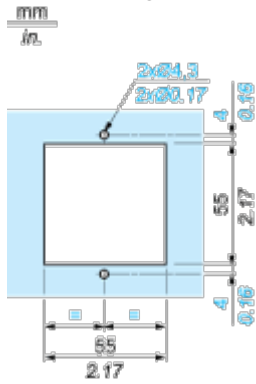
---

**Subtracting Preset Counters with Mechanical Display**

XBKP50100D-0M

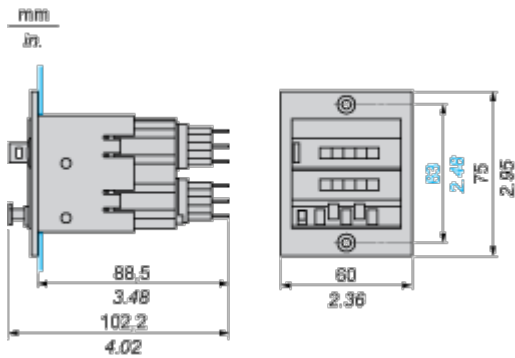


**Flush-Mounting**

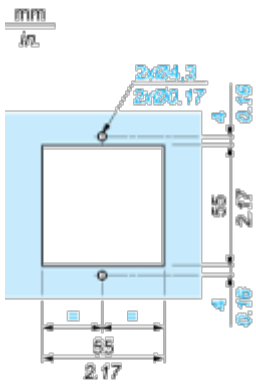


**Adding Preset Counters with Mechanical Display**

XBKP50100D-0M



**Flush-Mounting**



Connections and Schema

**Wiring Diagram of Electromechanical Preset Counters**

---

**24 Vdc Supply Voltage**

XBKP50100D-0M, XBKP50100U-0M

