



SENTRON, measuring device, 7KT PAC1600, LCD, L-L: 400 V, L-N: 230 V, 80 A, DIN rail instrument, 3-phase, Modbus RTU/ASCII + MID, apparent / active / reactive energy, with internal power supply, screw terminal, 30 units, standard transmission rate 38400 bps, year of calibration 2022/2023

Model		
product brand name	SENTRON	
product designation	Energy counter	
product quality calibrated	Yes	
type of measured value detection load profile	No	
General technical data		
energy-related number of pulses		
• minimum	1 1/kVAh	
• maximum	1 000 1/kVAh	
type of the power supply network	three-wire/four-wire	
operating voltage		
• between L and L minimum	323 V	
• between L and L maximum	456 V	
• between N and L minimum	187 V	
• between N and L maximum	264 V	
Protection class		
protection class IP	IP40	
Main circuit		
operational current rated value	80 A	
Suitability		
suitability for use	Import/export	
Product function		
product function		
• backstop	Yes	
• blocking code	Yes	
Number		
number of characters that can be displayed	10	
Mechanical Design		
number of modular width units	4	
fastening method	DIN rail device	
Net Weight	291 g	
Approvals Certificates		
Environment	General Product Approval	other

[Environmental Confirmations](#)



[Confirmation](#)

[Confirmation](#)



## Further information

### Information on the packaging

<https://support.industry.siemens.com/cs/ww/en/view/109813875>

### Information for data generation and storage

<https://support.industry.siemens.com/cs/ww/en/view/109995012>

### Information- and Downloadcenter (Catalogs, Brochures,...)

<https://www.siemens.com/lowvoltage/catalogs>

### Industry Mall (Online ordering system)

<https://mall.industry.siemens.com/mall/en/en/Catalog/product?mlfb=7KT1666-0EE00-0EE0>

### Service&Support (Manuals, Certificates, Characteristics, FAQs,...)

<https://support.industry.siemens.com/cs/ww/en/ps/7KT1666-0EE00-0EE0>

### Image database (product images, 2D dimension drawings, 3D models, device circuit diagrams, ...)

[https://www.automation.siemens.com/bilddb/cax\\_en.aspx?mlfb=7KT1666-0EE00-0EE0](https://www.automation.siemens.com/bilddb/cax_en.aspx?mlfb=7KT1666-0EE00-0EE0)

### CAX-Online-Generator

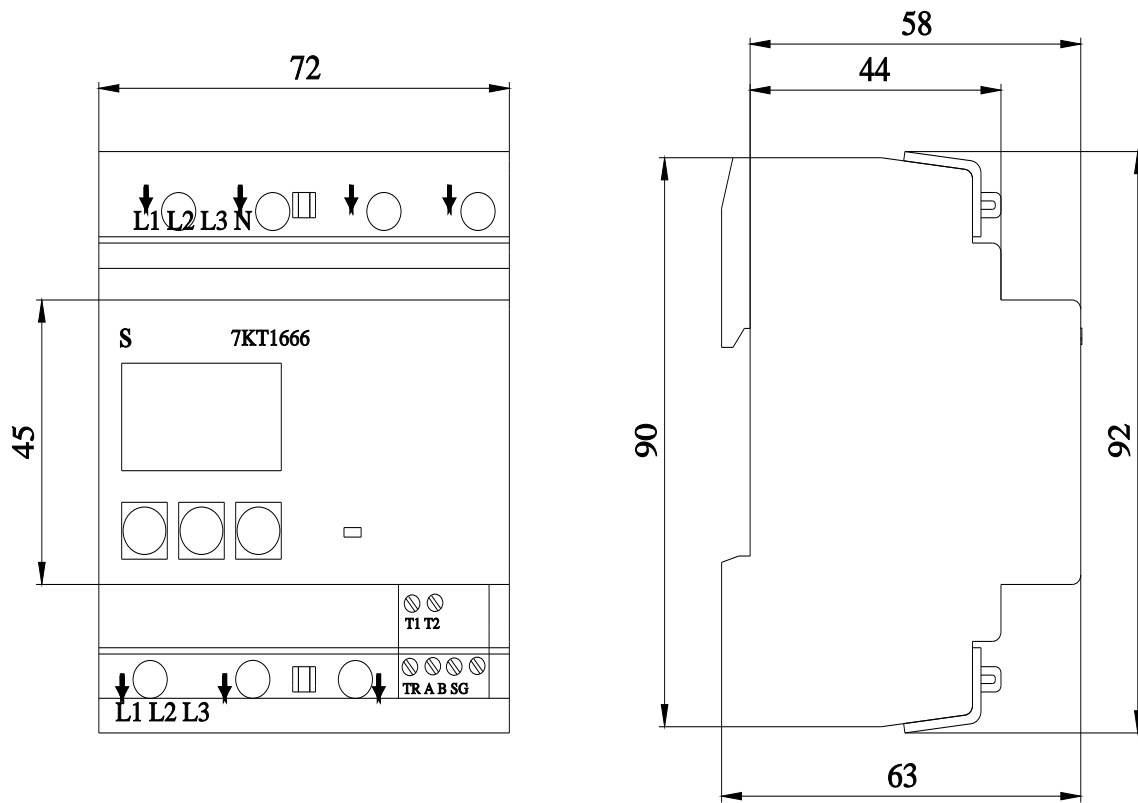
<https://www.siemens.com/cax>

### Tender specifications

<https://www.siemens.com/specifications>

### Characteristic curves

[https://curves.simaris.siemens.com/curves/<mmp\\_prod\\_noCOMP="HAUPT"></mmp\\_prod\\_no>](https://curves.simaris.siemens.com/curves/<mmp_prod_noCOMP=)



last modified:

10/14/2025

