

POSITION SWITCH, METAL-ENCLOSED SNAP-ACTION CONTACTS 1NO+1NC, ANGULAR ROLLER LEVER, 1 X M20 X 1,5



<b>product designation</b>	position switch		
suitability for use safety switch	Yes		
<b>General technical data</b>			
<b>protection class IP</b>	IP67		
<b>reference code according to IEC 81346-2</b>	B		
<b>active principle</b>	mechanical		
<b>Substance Prohibitance (day/month/year)</b>	07/01/2006		
<b>Net Weight</b>	0.219 kg		
<b>length of the sensor</b>	124 mm		
<b>width of the sensor</b>	40 mm		
<b>Ambient conditions</b>			
<b>ambient temperature</b> • during operation	-30 ... +85 °C		
<b>explosion protection category for dust</b>	none		
<b>design of the switching contact</b>	mechanical		
<b>number of NC contacts for auxiliary contacts</b>	1		
<b>number of NO contacts for auxiliary contacts</b>	1		
<b>Enclosure</b>			
<b>design of the housing</b>	design complying with EN 50041		
<b>material of the enclosure</b>	metal		
<b>coating of the enclosure</b>	painted		
<b>design of the housing according to standard</b>	Yes		
<b>Drive Head</b>			
<b>design of the actuating element</b>	angular roller lever		
<b>design of the switching function</b>	positive opening		
<b>circuit principle</b>	snap-action contacts		
<b>number of switching contacts safety-related</b>	1		
<b>Installation/ mounting/ dimensions</b>			
<b>fastening method</b>	screw fixing		
<b>Connections/ Terminals</b>			
<b>type of electrical connection</b>	screw terminal		
<b>design of the interface for safety-related communication</b>	without		
<b>Communication/ Protocol</b>			
<b>design of the interface</b>	without		
<b>Approvals Certificates</b>			
<b>General Product Approval</b>	<b>Test Certificates</b>	<b>Maritime application</b>	<b>other</b>



Miscellaneous



Confirmation

Confirmation

other

Environment



[Environmental Confirmations](#)

Further information

Information on the packaging

<https://support.industry.siemens.com/cs/ww/en/view/109813875>

Information for data generation and storage

<https://support.industry.siemens.com/cs/ww/en/view/109995012>

Information- and Downloadcenter (Catalogs, Brochures,...)

<https://www.siemens.com/ic10>

Industry Mall (Online ordering system)

<https://mall.industry.siemens.com/mall/en/en/Catalog/product?mlfb=3SE2120-1F>

Cax online generator

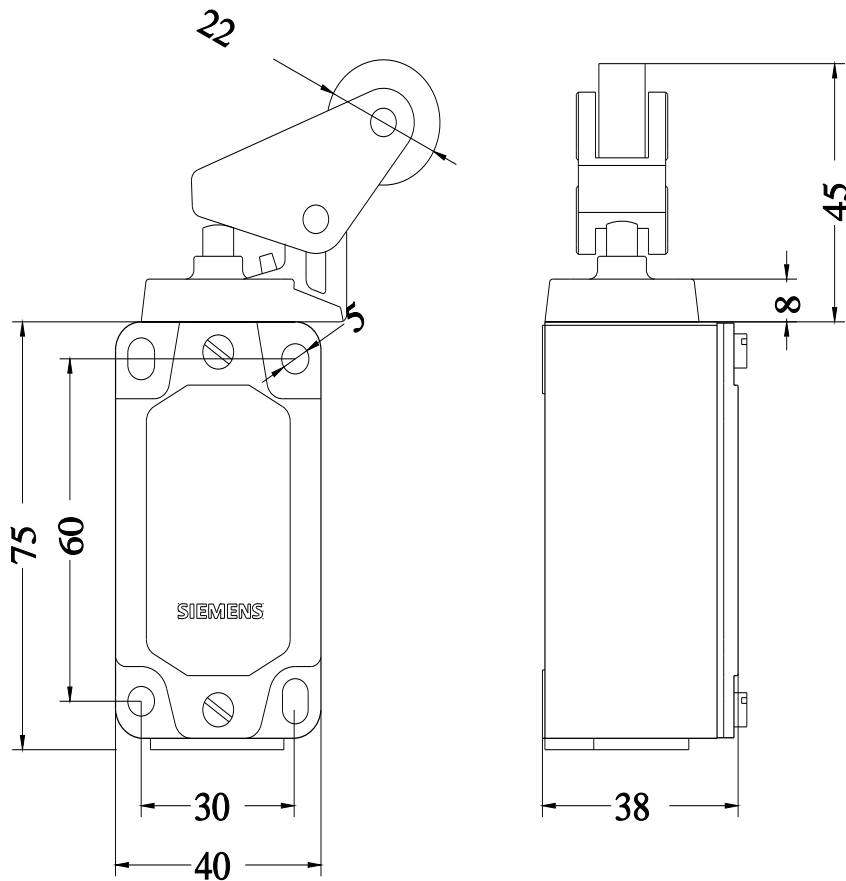
<https://support.automation.siemens.com/WW/CAXorder/default.aspx?lang=en&mlfb=3SE2120-1F>

Service&Support (Manuals, Certificates, Characteristics, FAQs,...)

<https://support.industry.siemens.com/cs/ww/en/ps/3SE2120-1F>

Image database (product images, 2D dimension drawings, 3D models, device circuit diagrams, EPLAN macros, ...)

[https://www.automation.siemens.com/bilddb/cax\\_de.aspx?mlfb=3SE2120-1F&lang=en](https://www.automation.siemens.com/bilddb/cax_de.aspx?mlfb=3SE2120-1F&lang=en)



last modified:

8/8/2025