

Product data sheet

Specifications

SQUARE D



Reversing Manual Switch - Flush - 2P - Toggle Operated - No Indicator - 600VAC

2511KF11

! Discontinued on: Nov 11, 2020

! End-of-service on: Dec 31, 2020

! Discontinued

Main

Product	Duplex Unit Manual Switch
Type	K

Complementary

Current Rating	30 A
Horsepower Rating	2 hp 115 V AC 2 hp 230 V AC 3 hp 460 V AC 3 hp 575 V AC 1 hp 90 V DC 2 hp 115 V DC 1.5 hp 230 V DC
Maximum Voltage Rating	600 V AC 230 V DC
Number of Poles	2P
Control Unit Type	Toggle
Number of Phases	1 phase
Pilot Light	No indicator
Starter Type	Reversing
Electrical Connection	Screw clamp terminals
Wire Gauge	AWG 14...AWG 10 copper
Height	5.25 in (133.35 mm)
Width	5.25 in (133.35 mm)
Depth	2.5 in (63.5 mm)

Environment

Certifications	UL listed file E42243 CCN NLRV CSA LR25490 class 3211 05
NEMA Enclosure Rating	Not rated (flush plate) painted sheet steel standard size

Ordering and shipping details

Category	21102-2510,2511,2512 K
Discount Schedule	CP1
GTIN	00785901882398
Returnability	No

Price is "List Price" and may be subject to a trade discount – check with your local distributor or retailer for actual price.

Country of origin	MX
-------------------	----

Packing Units

Unit Type of Package 1	PCE
------------------------	-----

Nbr. of units in pkg.	1
-----------------------	---

Contractual warranty

Warranty (in months)	18
----------------------	----



Environmental Data

Schneider Electric aims to achieve Net Zero status by 2050 through supply chain partnerships, lower impact materials, and circularity via our ongoing “Use Better, Use Longer, Use Again” campaign to extend product lifetimes and recyclability.

[Environmental Data explained >](#)

[How we assess product sustainability >](#)

Use Better



Materials and Substances

EU RoHS Directive	Not compliant
California proposition 65	WARNING: This product can expose you to chemicals including: Lead and lead compounds, which is known to the State of California to cause cancer and birth defects or other reproductive harm. For more information go to www.P65Warnings.ca.gov
PVC free	Yes

Use Longer

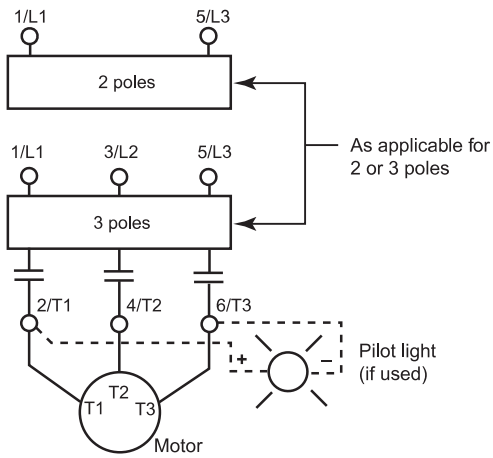


Lifetime extension

Repair	No
--------	----

Technical Illustration

Wiring diagram



NOTE: The lamp is polarity sensitive in DC applications.