

# Product data sheet

Specifications



## Panel PC, Harmony P6, display size 15 inch, 4 core

HMIP6D7B0NA0WVAN00

### Main

Range of product	Harmony P6
Product or component type	Modular box PC Touch panel screen
Software package	Node-RED preinstalled EcoStruxure Machine SCADA Expert run time (on configured offer) EcoStruxure Operator Terminal Expert run time (on configured offer) AVEVA system platform installer (on configured offer) EcoStruxure secure connect (license to be purchased separately) Stratus EverRun (exchange partner) (license to be purchased separately) Trellix (license to be purchased separately)

### Complementary

Display size	15 inch
Aspect ratio	4:3
Display type	LED
Display resolution	4096 x 2304 pixels at 60 Hz
Display colour	16 million colours
Pixel resolution	1024 x 768
Backlight lifespan	50000 hours at 77 °F (25 °C)
Number of slots	1 slot(s) for optional interface
[Us] rated supply voltage	12...24 V DC power supply
Supply voltage limits	9...36 V
Type of cooling	Fanless
Inrush current	30 A
Device mounting	Panel mounting VESA mounting
Cut-out dimensions	383.5 (+ 1/- 0) x 282.5 (+ 1/- 0) mm
Width	15.6 in (397 mm)
Depth	2.6 in (67 mm)
Height	11.7 in (296 mm)
Net weight	11.9 lb(US) (5.4 kg)

### Environment

Standards	EN/IEC 61000-4-2 IEC 61000-4-4 FCC part 15 UL 61010-2-201
-----------	--

<b>Pollution degree</b>	2
<b>Product certifications</b>	CE CULus CSA UL 61010-2-201 RCM UKCA DNV ATEX zone 2 ATEX zone 22 dust CULus Class 1 Division 2 IECEX zone 2 IECEX zone 22
<b>IP degree of protection</b>	IP20 conforming to IEC 61131-2 IP66f IP67f
<b>Operating altitude</b>	2000 m
<b>NEMA degree of protection</b>	NEMA 4X/13
<b>Ambient air temperature for operation</b>	32...131 °F (0...55 °C) panel side 32...131 °F (0...55 °C) book mounting side 32...131 °F (0...55 °C) flat mounting top 32...131 °F (0...55 °C) panel top 32...122 °F (0...50 °C) panel with 19" W, 22" W display) side
<b>Ambient air temperature for storage</b>	-4...140 °F (-20...60 °C)
<b>Relative humidity</b>	10...90 % non-condensing
<b>Vibration resistance</b>	9.8 m/s <sup>2</sup> 9...150 Hz) - M.2 SSD - IEC 61131-2
<b>Shock resistance</b>	147 m/s <sup>2</sup> X, Y, Z directions for 3 times
<b>Electromagnetic compatibility</b>	Electrostatic discharge immunity test 6 kV contact discharge IEC 61000-4-2 level 3

## Packing Units

<b>Unit Type of Package 1</b>	PCE
<b>Number of Units in Package 1</b>	1
<b>Package 1 Height</b>	5.945 in (15.100 cm)
<b>Package 1 Width</b>	19.213 in (48.800 cm)
<b>Package 1 Length</b>	18.150 in (46.100 cm)
<b>Package 1 Weight</b>	12.853 lb(US) (5.830 kg)

## Contractual warranty

<b>Warranty (in months)</b>	18
-----------------------------	----



## Environmental Data

Schneider Electric aims to achieve Net Zero status by 2050 through supply chain partnerships, lower impact materials, and circularity via our ongoing “Use Better, Use Longer, Use Again” campaign to extend product lifetimes and recyclability.

[Environmental Data explained >](#)

[How we assess product sustainability >](#)



### Environmental footprint

Total lifecycle Carbon footprint	3 003 kg CO2 eq.
Environmental Disclosure	<a href="#">Product Environmental Profile</a>
Carbon footprint of the manufacturing phase [A1 to A3]	327 kg CO2 eq.
Carbon footprint of the distribution phase [A4]	0.8 kg CO2 eq.
Carbon footprint of the installation phase [A5]	1 kg CO2 eq.
Carbon footprint of the use phase [B2, B3, B4, B6]	2 668 kg CO2 eq.
Carbon footprint of the end-of-life phase [C1 to C4]	6 kg CO2 eq.

## Use Better



### Materials and Substances

F-gas usage performance	Only air and vacuum used for insulation / breaking, no F-gas including SF6
Packaging made with recycled cardboard	Yes
Packaging without single use plastic	No
SCIP Number	3e485f57-089b-461f-87ef-eb75768c4245
EU RoHS Directive	<a href="#">Compliant By Exemption</a>
REACH Regulation	<a href="#">Reference contains Substances of Very High Concern above the threshold</a>
Halogen content performance	Product contains halogen above thresholds
PVC free	No
Silicon free	No

## Use Longer



### Lifetime extension

Repair	No
--------	----

## Use Again



### Repack and remanufacture

Recyclability potential, in %	55
Circularity Profile	<a href="#">End of Life Information</a>
Removable battery	User replaceable
Take-back	No

WEEE Label



The product must be disposed on European Union markets following specific waste collection and never end up in rubbish bins

---

# Product data sheet HMIP6D7B0NA0WNAN00

## Dimensions Drawings

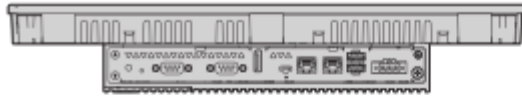
### Dimensions

---

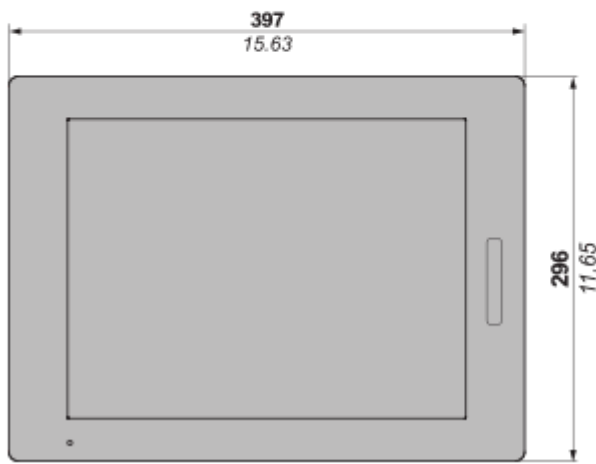
#### 15-inch Basic Model

##### External Dimensions

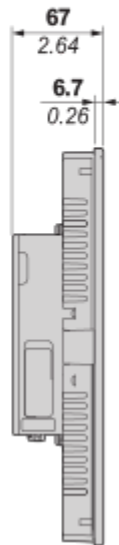
$\frac{\text{mm}}{\text{in}}$



(3)



(A)



(B)

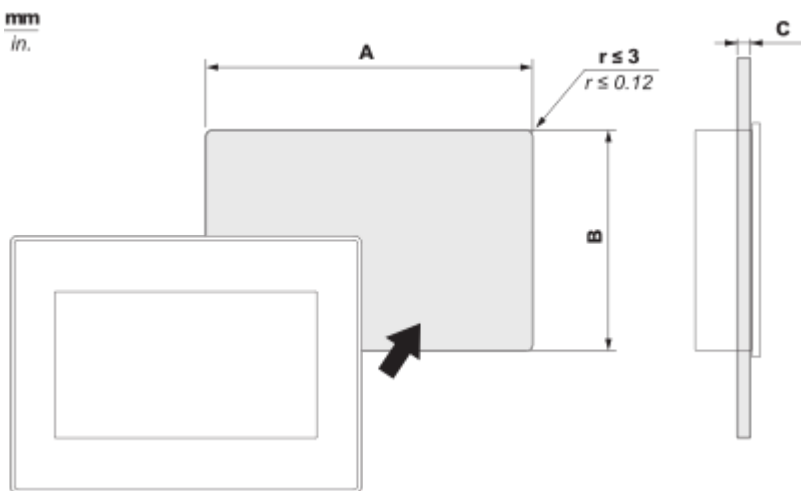
- (1) : Front
- (2) : Left
- (3) : Bottom

# Product data sheet HMIP6D7B0NA0WNaN00

## Mounting and Clearance

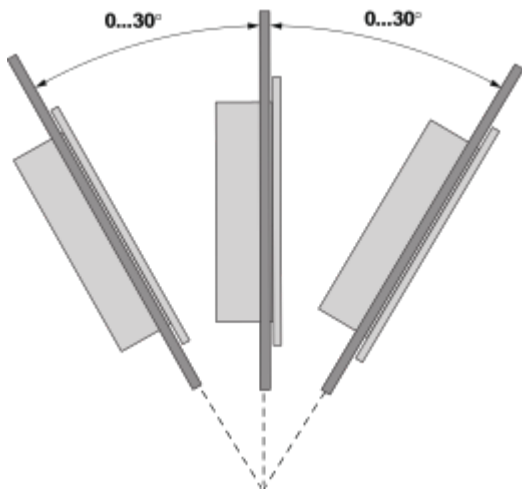
### Mounting

#### Panel Cut Dimensions



A		B		C	
mm	in.	mm	in.	mm	in.
383.5 (+1/-0)	15.10 (+0.04/-0)	282.5 (+1/-0)	11.12 (+0.04/-0)	1.6...5	0.06...0.2

#### Mounting Angle

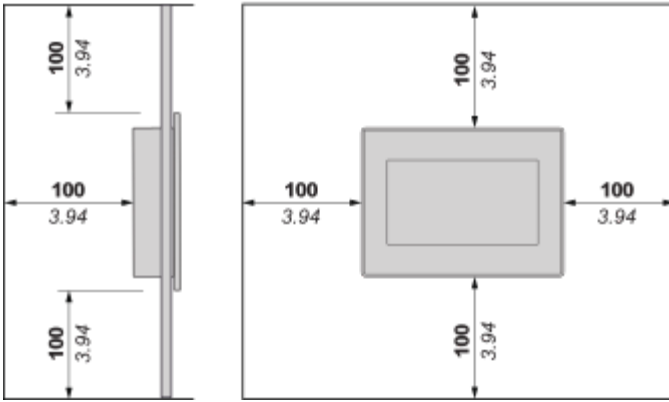


When installing this product in a slanted position, the product face should not incline more than  $30^\circ$ .

#### Clearance

# Product data sheet HMIP6D7B0NA0WNAN00

mm  
in.



# Product data sheet HMIP6D7B0NA0WNAN00

## Technical Illustration

### Dimensions

---

mm  
in.

#### 15-inch Basic Model

