



Figure similar

METAL-ENCLOSED POSITION SWITCH, SLOW-ACTION CONTACTS
1NO+2NC, WITH OVERLAPPING, ROLLER PLUNGER FORM D, 3 X M20 X 1.5

product designation	position switch
suitability for use safety switch	Yes
General technical data	
protection class IP	IP67
reference code according to IEC 81346-2	B
active principle	mechanical
Substance Prohibitance (day/month/year)	07/01/2006
Net Weight	0.352 kg
length of the sensor	140 mm
width of the sensor	56 mm
Ambient conditions	
ambient temperature • during operation	-30 ... +85 °C
explosion protection category for dust	none
design of the switching contact	mechanical
number of NC contacts for auxiliary contacts	2
number of NO contacts for auxiliary contacts	1
Enclosure	
design of the housing	block, wide
material of the enclosure	metal
coating of the enclosure	painting
design of the housing according to standard	No
Drive Head	
design of the actuating element	roller plunger
standard-compliant actuator head	EN 50041, design C
shape of the switch head	roller
design of the switching function	positive opening
circuit principle	slow-action make-before-break contacts
number of switching contacts safety-related	2
Installation/ mounting/ dimensions	
fastening method	screw fixing
Connections/ Terminals	
type of electrical connection	screw terminal
design of the interface for safety-related communication	without
Communication/ Protocol	
design of the interface	without
Approvals Certificates	


[Miscellaneous](#)

[Confirmation](#)
[Confirmation](#)

other

Environment


[Environmental Confirmations](#)

Further information

Information on the packaging

<https://support.industry.siemens.com/cs/ww/en/view/109813875>

Information for data generation and storage

<https://support.industry.siemens.com/cs/ww/en/view/109995012>

Information- and Downloadcenter (Catalogs, Brochures,...)

<https://www.siemens.com/ic10>

Industry Mall (Online ordering system)

<https://mall.industry.siemens.com/mall/en/en/Catalog/product?mlfb=3SE2303-2D>

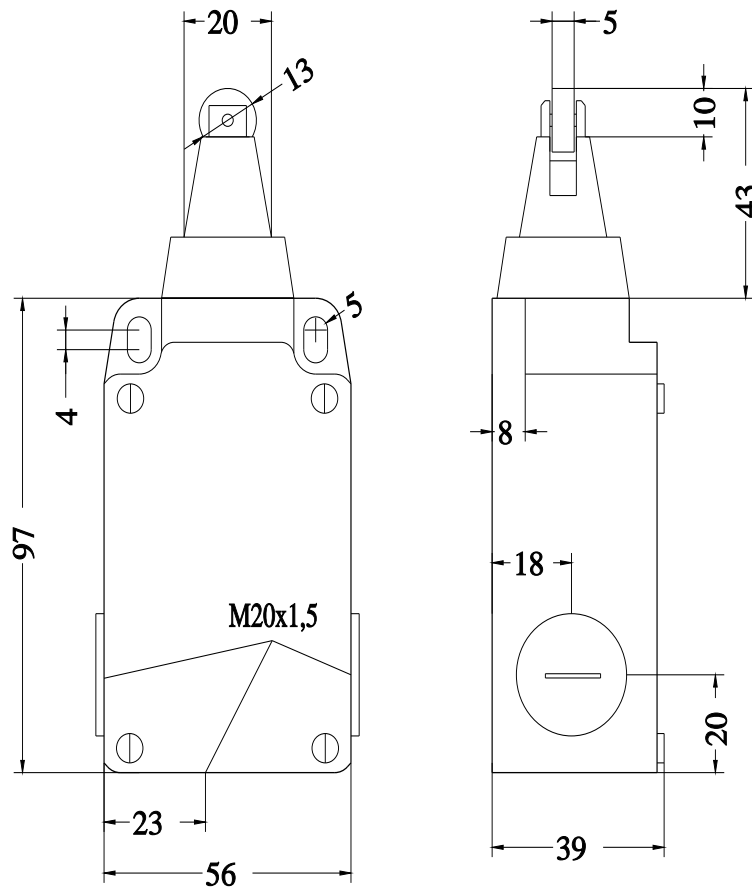
Cax online generator

<https://support.automation.siemens.com/WW/CAXorder/default.aspx?lang=en&mlfb=3SE2303-2D>

Service&Support (Manuals, Certificates, Characteristics, FAQs,...)

<https://support.industry.siemens.com/cs/ww/en/ps/3SE2303-2D>

Image database (product images, 2D dimension drawings, 3D models, device circuit diagrams, EPLAN macros, ...)

https://www.automation.siemens.com/bilddb/cax_de.aspx?mlfb=3SE2303-2D&lang=en


last modified:

8/8/2025