

Product datasheet

Specifications



circuit breaker EasyPact CVS160F,
36kA at 415VAC, 100A rating
thermal magnetic TM-D trip unit, 4P
3d

LV516351

! Discontinued

! Discontinued on: Jun 15, 2023

Main

| | |
|--|--|
| Range | EasyPact |
| Range of product | EasyPact CVS100...250 |
| Product name | EasyPact CVS |
| Device short name | CVS160F |
| Product or component type | Circuit breaker |
| Device application | Distribution |
| Poles description | 4P |
| Protected poles description | 4D |
| Earth leakage protection (Vigi add on) | Without |
| [In] rated current | 100 A at 40 °C |
| Network type | AC |
| Utilisation category | Category A |
| [Icu] Breaking capacity | 36 kA Icu at 440 V AC 50/60 Hz conforming to IEC 60947-2 36 kA Icu at 380/415 V AC 50/60 Hz conforming to IEC 60947-2 70 kA Icu at 220/240 V AC 50/60 Hz conforming to IEC 60947-2 |
| Trip unit name | TM-D |
| Trip unit technology | Thermal-magnetic |
| Trip unit rating | 100 A at 40 °C |
| Protection type | Short-circuit protection (magnetic) Overload protection (thermal) |

Complementary

| | |
|--|--|
| [Uimp] rated impulse withstand voltage | 8 kV conforming to EN/IEC 60947-2 |
| Network frequency | 50/60 Hz |
| Breaking capacity code | F |
| [Ics] rated service breaking capacity | 18 kA at 440 V AC 50/60 Hz conforming to IEC 60947-2 36 kA at 380/415 V AC 50/60 Hz conforming to IEC 60947-2 70 kA at 220/240 V AC 50/60 Hz conforming to IEC 60947-2 |
| Neutral position | Left |
| Mechanical durability | 25000 cycles |
| Electrical durability | 12000 cycles 415 V In conforming to IEC 60947-2 |
| Control type | Toggle |

| | |
|--|------------------|
| Thermal protection adjustment range | 70...100 A |
| Neutral protection setting | 1 x Ir (4D) |
| Long time pick-up adjustment type Ir | Adjustable |
| Long time pick-up adjustment range | 0.7...1 x In |
| Long time delay adjustment type | Fixed |
| Instantaneous pick-up adjustment type Ii | Fixed |
| Instantaneous pick-up adjustment range | 800 A |
| Contact position indicator | Yes |
| Mounting support | Backplate |
| Mounting mode | Fixed |
| Upside connection | Front |
| Downside connection | Front |
| Connections - terminals | Screw connection |
| Connection pitch | 35 mm |
| Compatibility code | CVS160 |
| Width | 140 mm |
| Depth | 86 mm |
| Height | 161 mm |
| Product weight | 2.3 kg |

Environment

| | |
|---------------------------------------|-----------------------------|
| Standards | IEC 60947-2 EN 60947-2 |
| Electrical shock protection class | Class II |
| Pollution degree | 3 conforming to IEC 60664-1 |
| IP degree of protection | IP40 |
| Ambient air temperature for operation | -25...70 °C |
| Ambient air temperature for storage | -50...85 °C |

Packing Units

| | |
|------------------------------|---------|
| Unit Type of Package 1 | PCE |
| Number of Units in Package 1 | 1 |
| Package 1 Height | 15.8 cm |
| Package 1 Width | 9 cm |
| Package 1 Length | 13.8 cm |
| Package 1 Weight | 2.8 kg |
| Unit Type of Package 2 | S03 |
| Number of Units in Package 2 | 6 |
| Package 2 Height | 30 cm |
| Package 2 Width | 30 cm |
| Package 2 Length | 40 cm |

Package 2 Weight 16.8 kg

Contractual warranty

Warranty (in months) 18



Environmental Data

Schneider Electric aims to achieve Net Zero status by 2050 through supply chain partnerships, lower impact materials, and circularity via our ongoing “Use Better, Use Longer, Use Again” campaign to extend product lifetimes and recyclability.

[Environmental Data explained >](#)

[How we assess product sustainability >](#)



Environmental footprint

[Environmental Disclosure](#)

[Product Environmental Profile](#)

Use Better



Materials and Substances

SCIP Number

49bf38c5-56a0-475d-90bd-a88ef3d2ace2

EU RoHS Directive

[Compliant By Exemption](#)

Use Longer



Lifetime extension

Repair

No

Use Again



Repack and remanufacture

End of life manual availability

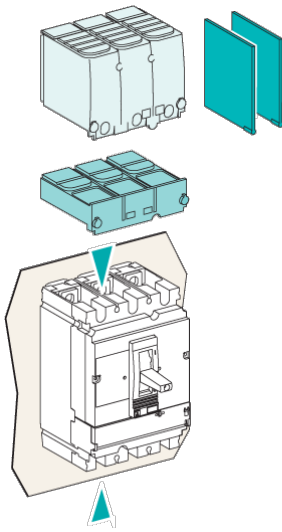
[End of Life Information](#)

WEEE Label



The product must be disposed on European Union markets following specific waste collection and never end up in rubbish bins

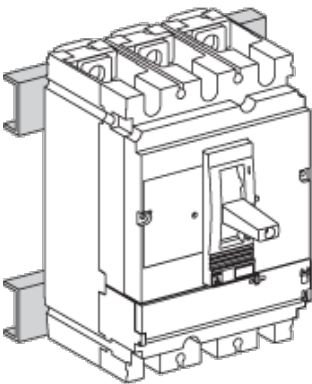
Dimensions Drawings



| Type | A | A1 | A2 | A3 | A4 | A5 | A6 | A7 | A8 | A9 | B | B1 | B2 | C1 | C2 | C3 | E1 |
|----------------|-------|-------|-------|-------|-------|-------|-----|-------|------|-------|------|-----|------|------|------|--------------------|------|
| CVS100/160/250 | 80.5 | 161 | 94 | 145 | 178.5 | 155.5 | 236 | 169 | 220 | 253.5 | 52.5 | 105 | 140 | 81 | 86 | 111 ⁽²⁾ | 62.5 |
| CVS400/630 | 127.5 | 255 | 142.5 | 200 | 237 | 227.5 | 355 | 242.5 | 300 | 337 | 70 | 140 | 185 | 95.5 | 110 | 168 | 100 |
| Type | E2 | E3 | E4 | E5 | E6 | E7 | E8 | F1 | F2 | F3 | G1 | G2 | G3 | G4 | G5 | ØT | U |
| CVS100/160/250 | 125 | 70 | 140 | 137.5 | 200 | 145 | 215 | 35 | 17.5 | 70 | 95 | 75 | 13.5 | 23 | 17.5 | 24 | y 32 |
| CVS400/630 | 200 | 113.5 | 227 | 200 | 300 | 213.5 | 327 | 45 | 22.5 | 90 | - | - | - | - | - | 32 | y 35 |

(2) C3=126mm for EasyPact CVS250B/F.

Assembly



| Type | A | A1 | A2 | A3 | A4 | A5 | A6 | A7 | A8 | A9 | B | B1 | B2 | C1 | C2 | C3 | E1 |
|----------------|-------|-------|-------|-------|-------|-------|-----|-------|------|-------|------|-----|------|------|------|--------------------|------|
| CVS100/160/250 | 80.5 | 161 | 94 | 145 | 178.5 | 155.5 | 236 | 169 | 220 | 253.5 | 52.5 | 105 | 140 | 81 | 86 | 111 ⁽²⁾ | 62.5 |
| CVS400/630 | 127.5 | 255 | 142.5 | 200 | 237 | 227.5 | 355 | 242.5 | 300 | 337 | 70 | 140 | 185 | 95.5 | 110 | 168 | 100 |
| Type | E2 | E3 | E4 | E5 | E6 | E7 | E8 | F1 | F2 | F3 | G1 | G2 | G3 | G4 | G5 | ØT | U |
| CVS100/160/250 | 125 | 70 | 140 | 137.5 | 200 | 145 | 215 | 35 | 17.5 | 70 | 95 | 75 | 13.5 | 23 | 17.5 | 24 | y32 |
| CVS400/630 | 200 | 113.5 | 227 | 200 | 300 | 213.5 | 327 | 45 | 22.5 | 90 | - | - | - | - | - | 32 | y35 |

(2) C3=126mm for EasyPact CVS250B/F.

Performance Curves

