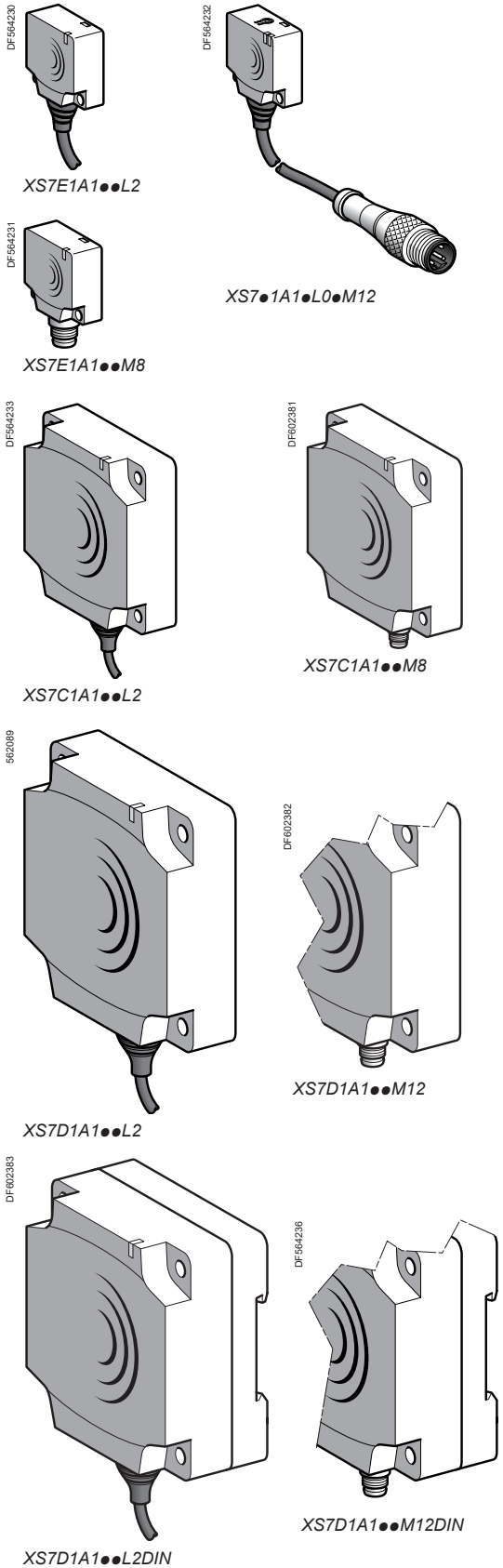


Inductive proximity sensors

XS range, general purpose, standard range
Flat format, flush mountable
Two-wire DC
Three-wire DC, solid-state output



Sens. dist. (Sn) mm	Func-tion	Output	Connection	Reference	Weight kg		
Flat, 26 x 26 x 13 mm format (1)							
Three-wire ---							
10	NO	PNP	Pre-cabled (L = 2 m) (4)	XS7E1A1PAL2	0.075		
			M8 connector	XS7E1A1PAM8	0.040		
			Remote M12 connector	XS7E1A1PAL01M12	0.040		
		NPN	Pre-cabled (L = 2 m) (4)	XS7E1A1NAL2	0.075		
			M8 connector	XS7E1A1NAM8	0.075		
			Remote M12 connector	XS7E1A1NAL01M12	0.040		
	NC	PNP	Pre-cabled (L = 2 m) (4)	XS7E1A1PBL2	0.075		
			M8 connector	XS7E1A1PBM8	0.040		
			Remote M12 connector	XS7E1A1PBL01M12	0.040		
		NPN	Pre-cabled (L = 2 m) (4)	XS7E1A1NBL2	0.075		
			M8 connector	XS7E1A1NBM8	0.040		
			Remote M12 connector	XS7E1A1NBL01M12	0.040		
Two-wire ---							
10	NO	PNP	Pre-cabled (L = 2 m) (4)	XS7E1A1DAL2	0.070		
			M8 connector	XS7E1A1DAM8	0.040		
			Remote M12 connector	XS7E1A1DAL01M12	0.040		
		NO terminals 1 and 4 (2)	Remote M12 connector	XS7E1A1CAL01M12	0.040		
			Remote M12 connector (3)	XS7E1A1CAL08M12	0.065		
			NC	PNP	Pre-cabled (L = 2 m) (4)	XS7E1A1DBL2	0.070
	M8 connector	XS7E1A1DBM8			0.040		
	Remote M12 connector	XS7E1A1DBL01M12			0.040		
	NPN	Pre-cabled (L = 2 m) (4)		XS7E1A1NBL2	0.075		
		M8 connector		XS7E1A1NBM8	0.040		
		Remote M12 connector		XS7E1A1NBL01M12	0.040		
	Flat, 40 x 40 x 15 mm format (1)						
Three-wire ---							
15	NO	PNP	Pre-cabled (L = 2 m) (4)	XS7C1A1PAL2	0.095		
			M8 connector	XS7C1A1PAM8	0.060		
			Remote M12 connector	XS7C1A1PAL01M12	0.060		
			NPN	Pre-cabled (L = 2 m) (4)	XS7C1A1NAL2	0.095	
				M8 connector	XS7C1A1NAM8	0.060	
				Remote M12 connector	XS7C1A1NAL01M12	0.060	
		NC	PNP	Pre-cabled (L = 2 m) (4)	XS7C1A1PBL2	0.095	
				M8 connector	XS7C1A1PBM8	0.060	
				Remote M12 connector	XS7C1A1PBL01M12	0.060	
			NPN	Pre-cabled (L = 2 m) (4)	XS7C1A1NBL2	0.095	
				M8 connector	XS7C1A1NBM8	0.060	
				Remote M12 connector	XS7C1A1NBL01M12	0.060	
	Two-wire ---						
	15	NO	PNP	Pre-cabled (L = 2 m) (4)	XS7C1A1DAL2	0.090	
				M8 connector	XS7C1A1DAM8	0.060	
				Remote M12 connector	XS7C1A1DAL01M12	0.060	
			NO terminals 1 and 4 (2)	Remote M12 connector	XS7C1A1CAL01M12	0.060	
				Remote M12 connector (3)	XS7C1A1CAL08M12	0.090	
NC				PNP	Pre-cabled (L = 2 m) (4)	XS7C1A1DBL2	0.090
		M8 connector	XS7C1A1DBM8		0.060		
		Remote M12 connector	XS7C1A1DBL01M12		0.060		
		NPN	Pre-cabled (L = 2 m) (4)	XS7C1A1NBL2	0.095		
			M8 connector	XS7C1A1NBM8	0.060		
			Remote M12 connector	XS7C1A1NBL01M12	0.060		
Flat, 80 x 80 x 26 mm format (1)							
Three-wire ---							
40	NO	PNP	Pre-cabled (L = 2 m) (4)	XS7D1A1PAL2 (5)	0.340		
			M12 connector	XS7D1A1PAM12 (5)	0.290		
			NPN	Pre-cabled (L = 2 m) (4)	XS7D1A1NAL2 (5)	0.340	
		M12 connector		XS7D1A1NAM12 (5)	0.290		
		NC		PNP	Pre-cabled (L = 2 m) (4)	XS7D1A1PBL2 (5)	0.340
			M12 connector		XS7D1A1PBM12 (5)	0.290	
	NPN		Pre-cabled (L = 2 m) (4)		XS7D1A1NBL2 (5)	0.340	
			M12 connector	XS7D1A1NBM12 (5)	0.290		
			Two-wire ---				
	40		NO	PNP	Pre-cabled (L = 2 m) (4)	XS7D1A1DAL2 (5)	0.340
		M12 connector			XS7D1A1DAM12 (5)	0.290	
		NO terminals 1 and 4 (2)			M12 connector	XS7D1A1CAM12 (5)	0.290
NC		PNP	Pre-cabled (L = 2 m) (4)	XS7D1A1DBL2 (5)	0.340		
			M12 connector	XS7D1A1DBM12 (5)	0.290		
			M12 connector	XS7D1A1DBM12 (5)	0.290		

(1) For accessories, see page 118.
 (2) The NO output is connected to terminals 1 and 4 of the M12 connector.
 (3) Remote connector on 0.8 m flying lead.

(4) For a 5 m long cable replace L2 by L5; for a 10 m long cable replace L2 by L10.
 Example: **S7 J1A1PAL2** becomes **XS7 J1A1PAL5** with a 5 m long cable.
 (5) For clipping onto 35 mm omega rail or 80 x 80 x 40 mm format, add DIN to the end of the reference. Example: **XS7D1A1PAL2** becomes **XS7D1A1PAL2DIN**.