

Product data sheet

Specifications



Power relay, SE Relays, DPDT, 30A, 12 VAC, side flange cover

300XBXC1-12A

⚠ Discontinued on: Aug 7, 2023

⚠ Discontinued

Product availability: Non-Stock - Not normally stocked in distribution facility

Main

Product Type	Power relay
Switch Function	DPDT
Contact Composition	2 NO + 2 NC

Complementary

Input Current	30 A
Contacts Material	Silver alloy contacts
Minimum Switching Current	500 mA 5 V DC
Coil Resistance	13.5 Ohm
Input voltage	12 V AC
Drop-out Voltage Threshold	$\geq 0.1 U_c$ DC $\geq 0.15 U_c$ AC
Rated Operational Current	30 A at 300 V AC (at nominal load) conforming to UL 15 A at 600 V AC (at nominal load) conforming to UL 30 A at 28 V DC (on resistive load) conforming to UL 5.5 A at 120 V AC (on pilot duty) conforming to UL 1.2 A at 600 V AC (on pilot duty) conforming to UL
Power consumption in W	2.3 W DC
Power consumption in VA	3.4 VA AC
Voltage Range	0.85...1.1 U_n AC
Maximum Switching Voltage	600 V AC
Motor Power HP	1 hp 120 V AC 50/60 Hz 2 hp 208/240 V AC 50/60 Hz 2 hp 480/600 V AC 50/60 Hz
Connections Terminals	Quick
Mounting	Flange
Height	2.9 in (73.6 mm)
Width	1.5 in (37.8 mm)
Depth	1.4 in (34.5 mm)
Product Weight	3.0 oz (85 g)

Environment

Ambient Air Temperature for Operation	-40...131 °F (-40...55 °C)
Ambient Air Temperature for Storage	-40...185 °F (-40...85 °C)

Price is "List Price" and may be subject to a trade discount – check with your local distributor or retailer for actual price.

Product Certifications	UL CSA
Electrical Durability	100000 cycles
Mechanical Durability	5000000 cycles
Dielectric Strength	4000 V AC between coil and contact 2500 V AC between poles 2500 V AC between contacts

Ordering and shipping details

Category	US10CP221127
Discount Schedule	0CP2
GTIN	3606480779107
Returnability	No

Packing Units

Unit Type of Package 1	PCE
Nbr. of units in pkg.	1
Package 1 Height	1.36 in (3.45 cm)
Package 1 Width	1.49 in (3.78 cm)
Package 1 Length	1.36 in (3.45 cm)
Package weight(Lbs)	3.0 oz (85 g)
Unit Type of Package 2	S02
Number of Units in Package 2	60
Package 2 Height	5.9 in (15 cm)
Package 2 Width	11.8 in (30 cm)
Package 2 Length	15.7 in (40 cm)
Package 2 Weight	15.163 lb(US) (6.878 kg)
Unit Type of Package 3	P06
Number of Units in Package 3	960
Package 3 Height	41.3 in (105 cm)
Package 3 Width	23.6 in (60 cm)
Package 3 Length	31.5 in (80 cm)
Package 3 Weight	260.54 lb(US) (118.18 kg)

Contractual warranty

Warranty (in months)	18
-----------------------------	----



Environmental Data

Schneider Electric aims to achieve Net Zero status by 2050 through supply chain partnerships, lower impact materials, and circularity via our ongoing “Use Better, Use Longer, Use Again” campaign to extend product lifetimes and recyclability.

[Environmental Data explained >](#)

[How we assess product sustainability >](#)

Use Better

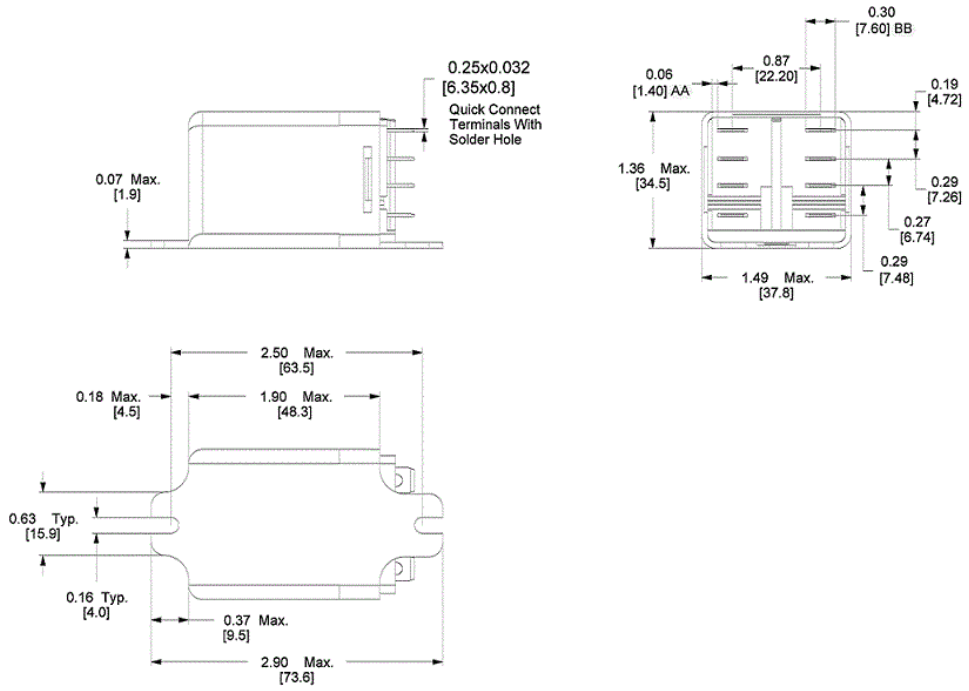
Materials and Substances	
Packaging made with recycled cardboard	Yes
Packaging without single use plastic	Yes
EU RoHS Directive	Pro-active compliance (Product out of EU RoHS legal scope)
California proposition 65	WARNING: This product can expose you to chemicals including: Nickel compounds, which is known to the State of California to cause cancer, and Di-isodecyl phthalate (DIDP), which is known to the State of California to cause birth defects or other reproductive harm. For more information go to www.P65Warnings.ca.gov

Use Longer

Lifetime extension	
Repair	No

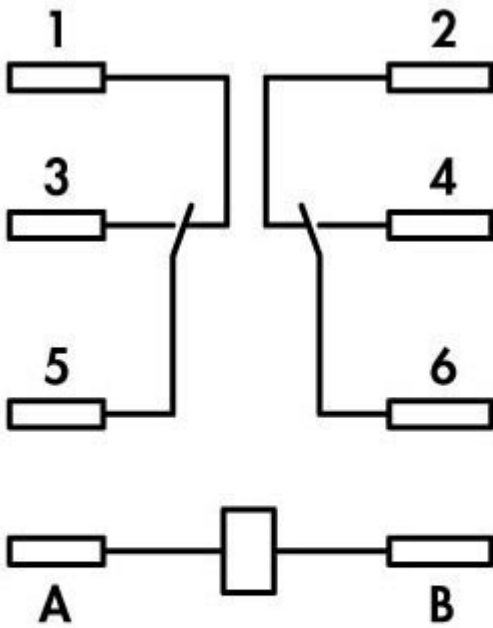
Dimensions Drawings

Approximate Dimensions



Connections and Schema

Connections and Wiring Diagrams



XBX DPDT