



## Main

Range of Product	OsiSense ATEX D
Series name	Special format
Product or Component Type	Limit switch
Product Specific Application	For conveyor belt shift monitoring
Device short name	XCR
Body type	Fixed
Head type	Rotary head
Material	Metal
Fixing Mode	By the body
Movement of operating head	Rotary
Type of operator	Spring return roller zinc plated steel with lever
Switch actuation	By conveyor belt
Type of approach	Lateral approach, 2 directions
Electrical connection	Screw-clamp terminals 1 x 0.5...2 x 2.5 mm <sup>2</sup>
Cable entry number	1 tapped entry Pg 13.5 cable gland (included) 0.35...0.47 in (9...12 mm)
Number of poles	2
Contacts type and composition	2 x 1 C/O
Contacts insulation form	Za
Contact operation	Snap action
Number of steps	2
Contact block per direction [control circuit]	1 per direction
Positive opening	With
Minimum torque for tripping	8.85 lbf.in (1 N.m)
Maximum actuation speed	4.92 ft/s (1.5 m/s)
IP degree of protection	IP65 conforming to IEC 60529

## Complementary

Body Material	Zinc alloy
Minimum actuation speed	0.01 m/min
Tripping angle	10 ° fault signalling 18 ° stopping of the conveyor belt
Maximum displacement angle	-90 ° 90 °
Contact code designation	A300, AC-15 (Ue = 240 V), Ie = 3 A EN 60947-5-1 A300, AC-15 (Ue = 240 V), Ie = 3 A IEC 60947-5-1 appendix A Q300, DC-13 (Ue = 250 V), Ie = 0.27 A EN 60947-5-1 Q300, DC-13 (Ue = 250 V), Ie = 0.27 A IEC 60947-5-1 appendix A
[Ui] rated insulation voltage	300 VUL 508 500 VNF C 20-040 group C 500 V 3)IEC 60947-1 500 V 3)VDE 0110
Maximum resistance across terminals	25 MOhm IEC 60255-7 category 3 25 MOhm NF C 93-050 method A

[Uimp] rated impulse withstand voltage	6 KV IEC 60664 6 kV IEC 60947-1
Short-circuit protection	10 A cartridge fuse gG
Electrical durability	5000000 Cycles, DC-13, inductive, 120 V, 4 W 3600 cyc/mn 0.5, DC IEC 60947-5-1 appendix C 5000000 Cycles, DC-13, inductive, 24 V, 10 W 3600 cyc/mn 0.5, DC IEC 60947-5-1 appendix C 5000000 cycles, DC-13, inductive, 48 V, 7 W 3600 cyc/mn 0.5, DC IEC 60947-5-1 appendix C
Mechanical durability	300000 cycles
Marking	II2 D-Ex tb IIIC T85°C Db IP66/67
Width	3.35 in (85 mm)
Height	3.74 in (95 mm)
Depth	2.95 in (75 mm)

## Environment

Shock resistance	30 gn 18 ms IEC 60068-2-27
Vibration resistance	9 gn 10...500 Hz)IEC 60068-2-6
Electrical shock protection class	Class I IEC 60536 Class I NF C 20-030
Ambient Air Temperature for Operation	-4...140 °F (-20...60 °C)
Protective treatment	TC
Dust zone	Zone 21 - 22
Product Certifications	INERIS 04ATEX0014X IEC-Ex INE 16.0048X
Standards	EN/IEC 60079-31 EN/IEC 60079-0
Directives	2014/34/EU - ATEX directive

## Ordering and shipping details

Category	22449-LIMIT SWITCHES,ACCESSORIES
Discount Schedule	T
GTIN	3389118027954
Nbr. of units in pkg.	1
Package weight(Lbs)	2.85 lb(US) (1.294 kg)
Returnability	No
Country of origin	FR

## Packing Units

Unit Type of Package 1	PCE
Package 1 Height	3.94 in (10.0 cm)
Package 1 width	3.66 in (9.3 cm)
Package 1 Length	9.25 in (23.5 cm)
Unit Type of Package 2	P06
Number of Units in Package 2	64
Package 2 Weight	210.28 lb(US) (95.38 kg)
Package 2 Height	29.53 in (75.0 cm)
Package 2 width	23.62 in (60.0 cm)
Package 2 Length	31.50 in (80.0 cm)
Unit Type of Package 3	S03
Number of Units in Package 3	8
Package 3 Weight	23.94 lb(US) (10.86 kg)
Package 3 Height	11.81 in (30.0 cm)
Package 3 width	11.81 in (30.0 cm)
Package 3 Length	15.75 in (40.0 cm)

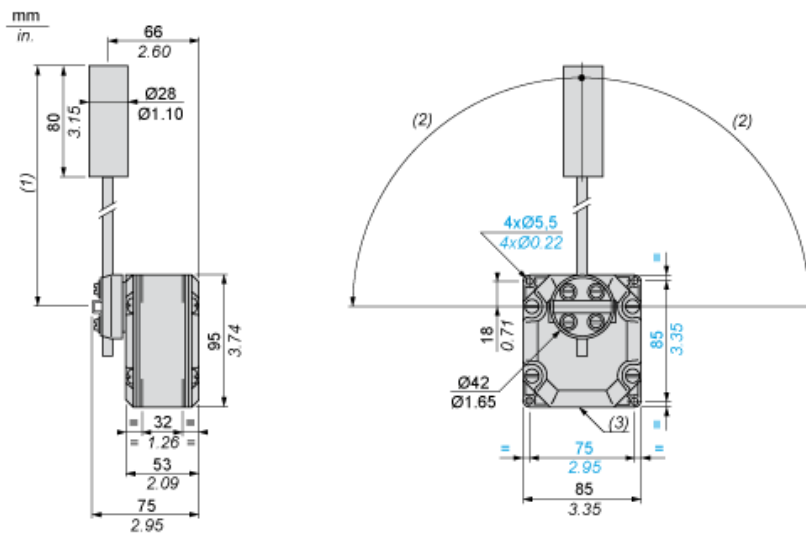
## Offer Sustainability

Sustainable offer status	Green Premium product
California proposition 65	WARNING: This product can expose you to chemicals including: Diisononyl phthalate (DINP), which is known to the State of California to cause cancer, and Di-isodecyl phthalate (DIDP), which is known to the State of California to cause birth defects or other reproductive harm. For more information go to <a href="http://www.P65Warnings.ca.gov">www.P65Warnings.ca.gov</a>
REACH Regulation	<a href="#">REACH Declaration</a>
EU RoHS Directive	Pro-active compliance (Product out of EU RoHS legal scope) <a href="#">EU RoHS Declaration</a>
Mercury free	Yes
RoHS exemption information	<a href="#">Yes</a>
Environmental Disclosure	<a href="#">Product Environmental Profile</a>

## Contractual warranty

Warranty	18 months
----------	-----------

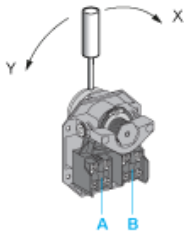
## Dimensions



- (1) 200 mm max. 104 mm min.
- (2) 90° max.
- (3) 1 tapped entry for Pg 13.5 cable gland

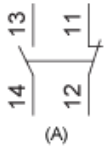
## Wiring Diagram

### 2 Single-pole CO Snap Action

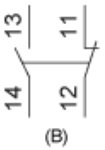


- (A) 1<sup>st</sup> contact
- (B) 2<sup>nd</sup> contact

### 2 Single-pole CO Snap Action



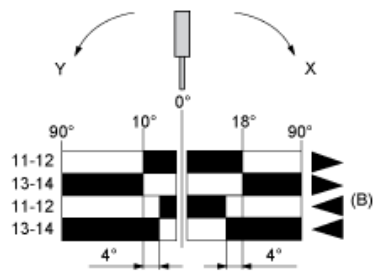
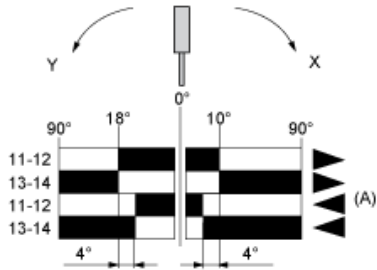
(A)



(B)

- (A) 1<sup>st</sup> contact
- (B) 2<sup>nd</sup> contact

Functionnal Diagram



- (1)
- (2)
- ▶ (3)
- ◀ (4)

- (A) 1st contact
- (B) 2nd contact
- (1) Closed
- (2) Open
- (3) Tripping
- (4) Resetting