

Product data sheet

Specifications



Power relay, SE Relays, DPDT, 30A, 24 VAC, side flange cover

300XBXC1-24A

Product availability: Stock - Normally stocked in distribution facility

Main

Product Type	Power relay
Switch Function	DPDT
Contact Composition	2 NO + 2 NC

Complementary

Input Current	30 A
Contacts Material	Silver alloy contacts
Minimum Switching Current	500 mA 5 V DC
Coil Resistance	54 Ohm
Input voltage	24 V AC
Drop-out Voltage Threshold	$\geq 0.1 U_c$ DC $\geq 0.15 U_c$ AC
Rated Operational Current	30 A at 300 V AC (at nominal load) conforming to UL 15 A at 600 V AC (at nominal load) conforming to UL 30 A at 28 V DC (on resistive load) conforming to UL 5.5 A at 120 V AC (on pilot duty) conforming to UL 1.2 A at 600 V AC (on pilot duty) conforming to UL
Power consumption in W	2.3 W DC
Power consumption in VA	3.4 VA AC
Voltage Range	0.85...1.1 Un AC
Maximum Switching Voltage	600 V AC
Motor Power HP	1 hp 120 V AC 50/60 Hz 2 hp 208/240 V AC 50/60 Hz 2 hp 480/600 V AC 50/60 Hz
Connections Terminals	Quick
Mounting	Flange
Height	2.9 in (73.6 mm)
Width	1.5 in (37.8 mm)
Depth	1.4 in (34.5 mm)
Product Weight	3.0 oz (85 g)

Environment

Ambient Air Temperature for Operation	-40...131 °F (-40...55 °C)
Ambient Air Temperature for Storage	-40...185 °F (-40...85 °C)
Product Certifications	UL CSA

Price is "List Price" and may be subject to a trade discount – check with your local distributor or retailer for actual price.

Electrical Durability	100000 cycles
Mechanical Durability	5000000 cycles
Dielectric Strength	4000 V AC between coil and contact 2500 V AC between poles 2500 V AC between contacts

Ordering and shipping details

Category	US10CP221127
Discount Schedule	0CP2
GTIN	3606480276316
Returnability	Yes
Country of origin	CN

Packing Units

Unit Type of Package 1	PCE
Nbr. of units in pkg.	1
Package 1 Height	2.90 in (7.36 cm)
Package 1 Width	1.36 in (3.45 cm)
Package 1 Length	1.49 in (3.78 cm)
Package weight(Lbs)	2.9 oz (82 g)
Unit Type of Package 2	BB1
Number of Units in Package 2	10
Package 2 Height	1.7 in (4.3 cm)
Package 2 Width	5.3 in (13.5 cm)
Package 2 Length	7.6 in (19.2 cm)
Package 2 Weight	32.8 oz (930 g)
Unit Type of Package 3	S02
Number of Units in Package 3	60
Package 3 Height	5.9 in (15 cm)
Package 3 Width	11.8 in (30 cm)
Package 3 Length	15.7 in (40 cm)
Package 3 Weight	13.7 lb(US) (6.2 kg)

Contractual warranty

Warranty (in months)	18
-----------------------------	----



Environmental Data

Schneider Electric aims to achieve Net Zero status by 2050 through supply chain partnerships, lower impact materials, and circularity via our ongoing “Use Better, Use Longer, Use Again” campaign to extend product lifetimes and recyclability.

[Environmental Data explained >](#)

[How we assess product sustainability >](#)



Environmental footprint

Total lifecycle Carbon footprint	54 kg CO2 eq.
Environmental Disclosure	Product Environmental Profile
Carbon footprint of the manufacturing phase [A1 to A3]	0.5 kg CO2 eq.
Carbon footprint of the distribution phase [A4]	0 kg CO2 eq.
Carbon footprint of the installation phase [A5]	0 kg CO2 eq.
Carbon footprint of the use phase [B2, B3, B4, B6]	53 kg CO2 eq.
Carbon footprint of the end-of-life phase [C1 to C4]	0.2 kg CO2 eq.

Use Better



Materials and Substances

Packaging made with recycled cardboard	Yes
Packaging without single use plastic	Yes
EU RoHS Directive	Pro-active compliance (Product out of EU RoHS legal scope)
REACH Regulation	REACH Declaration
California proposition 65	WARNING: This product can expose you to chemicals including: Nickel compounds, which is known to the State of California to cause cancer, and Di-isodecyl phthalate (DIDP), which is known to the State of California to cause birth defects or other reproductive harm. For more information go to www.P65Warnings.ca.gov

Use Longer



Lifetime extension

Repair	No
--------	----

Use Again

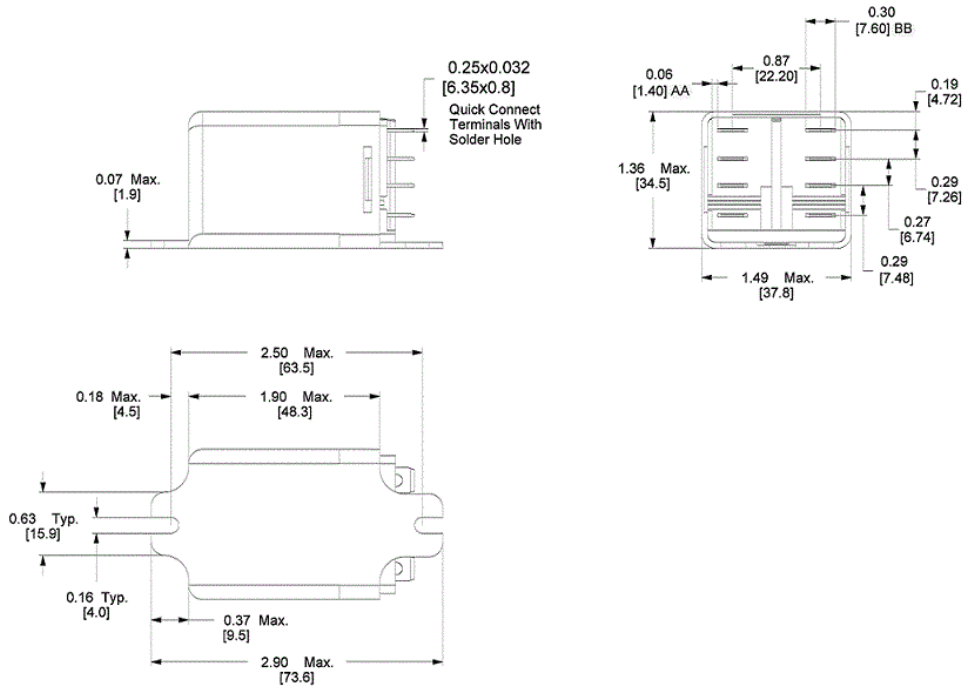


Repack and remanufacture

Recyclability potential, in %	68
Circularity Profile	End of Life Information
Take-back	No

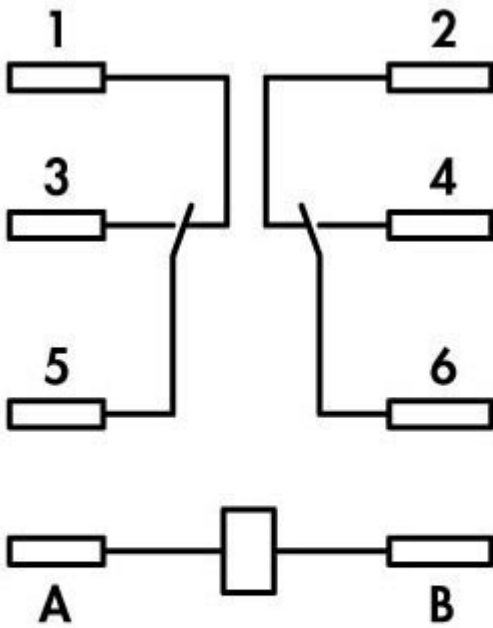
Dimensions Drawings

Approximate Dimensions



Connections and Schema

Connections and Wiring Diagrams



XBX DPDT