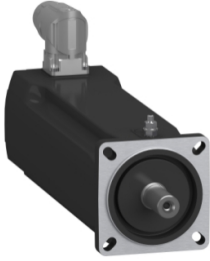


Product data sheet

Specifications



SH3 servomotor, 70mm, 3 stacks, smooth Shaft, Singleturn DSL 18bit, no Brake, OneMotorCable angular M23, IP65/65

SH30703P0AA4100

Product availability: Non-Stock - Not normally stocked in distribution facility

Main

Range Compatibility	PacDrive 3
Device short name	SH3
Product or Component Type	Servo motor

Complementary

Maximum mechanical speed	8000 rpm
[Us] rated supply voltage	115...480 V
Phase	Three phase
Continuous stall current	4.1 A
Continuous stall torque	26.02 lbf.in (2.94 N.m) 115...480 V three phase
Continuous power	1330 W
Peak stall torque	100.01 lbf.in (11.3 N.m) 115...480 V three phase
Nominal output power	830 W 230 V single phase 1330 W 400 V three phase 1330 W 480 V three phase
Nominal torque	24.8 lbf.in (2.8 N.m) 230 V single phase 18.6 lbf.in (2.1 N.m) 400 V three phase 18.6 lbf.in (2.1 N.m) 480 V three phase
Nominal speed	3000 rpm 230 V single phase 6000 rpm 400 V three phase 7200 rpm 480 V three phase
Maximum current Irms	17.0 A
Shaft end	Smooth shaft
Shaft diameter	0.6 in (14 mm)
Shaft length	1.2 in (30 mm)
IP degree of protection	IP65 motor: conforming to IEC 60034-5 IP65 shaft bushing: conforming to IEC 60034-5
Encoder type	Absolute single turn Hiperface DSL
Speed feedback resolution	262144 points/turn
Holding brake	Without
Mounting Support	International standard flange
Motor flange size	2.8 in (70 mm)
Electrical Connection	Rotatable right angled connector
Torque constant	0.72 N.m/A 248 °F (120 °C)

Price is "List Price" and may be subject to a trade discount – check with your local distributor or retailer for actual price.

Back emf constant	49 V/krpm 68 °F (20 °C)
Number of motor poles	3.0
Rotor inertia	0.580 kg.cm ²
Stator resistance	2.7 Ohm
Stator inductance	14.6 mH
Maximum radial force Fr	1050 N 1000 rpm
Maximum axial force Fa	160 N
Type of cooling	Natural convection
Length	8.7 in (220 mm)
Centring collar diameter	2.4 in (60 mm)
Centring collar depth	0.10 in (2.5 mm)
Number of mounting holes	4
Mounting holes diameter	0.2 in (5.5 mm)
Circle diameter of the mounting holes	3.2 in (82 mm)
Net Weight	7.9 lb(US) (3.6 kg)
Sizing reference	SH30703P
Network number of phases	3
Temperature copper hot	266 °F (130 °C)
Electrical connection	quicklock rotatable right angled connector
Output current 3s peak	17.0 A
Inertia	0.0 kg.cm ² of brake 0.0 kg.cm ² of motor

Ordering and shipping details

Category	US1PC5218359
Discount Schedule	PC52
GTIN	3606481803382
Returnability	No
Country of origin	DE

Packing Units

Unit Type of Package 1	PCE
Nbr. of units in pkg.	1
Package 1 Height	4.5 in (11.5 cm)
Package 1 Width	7.5 in (19.0 cm)
Package 1 Length	15.6 in (39.5 cm)
Package weight(Lbs)	9.04 lb(US) (4.1 kg)

Contractual warranty

Warranty (in months)	18
----------------------	----



Environmental Data

Schneider Electric aims to achieve Net Zero status by 2050 through supply chain partnerships, lower impact materials, and circularity via our ongoing “Use Better, Use Longer, Use Again” campaign to extend product lifetimes and recyclability.

[Environmental Data explained >](#)

[How we assess product sustainability >](#)

Environmental footprint

Total lifecycle Carbon footprint	3 146 kg CO2 eq.
Carbon footprint of the manufacturing phase [A1 to A3]	18 kg CO2 eq.
Carbon footprint of the distribution phase [A4]	0.5 kg CO2 eq.
Carbon footprint of the installation phase [A5]	0 kg CO2 eq.
Carbon footprint of the use phase [B2, B3, B4, B6]	3 127 kg CO2 eq.
Carbon footprint of the end-of-life phase [C1 to C4]	0.4 kg CO2 eq.

Use Better

Materials and Substances

Packaging made with recycled cardboard	Yes
Packaging without single use plastic	No
EU RoHS Directive	Pro-active compliance (Product out of EU RoHS legal scope)
SCIP Number	Ead0850d-370a-47c5-8cf7-1d93c2c974a4
REACH Regulation	REACH Declaration
California proposition 65	WARNING: This product can expose you to chemicals including: Lead and lead compounds, which is known to the State of California to cause cancer and birth defects or other reproductive harm. For more information go to www.P65Warnings.ca.gov
PVC free	Yes

Use Longer

Lifetime extension

Repair	No
--------	----

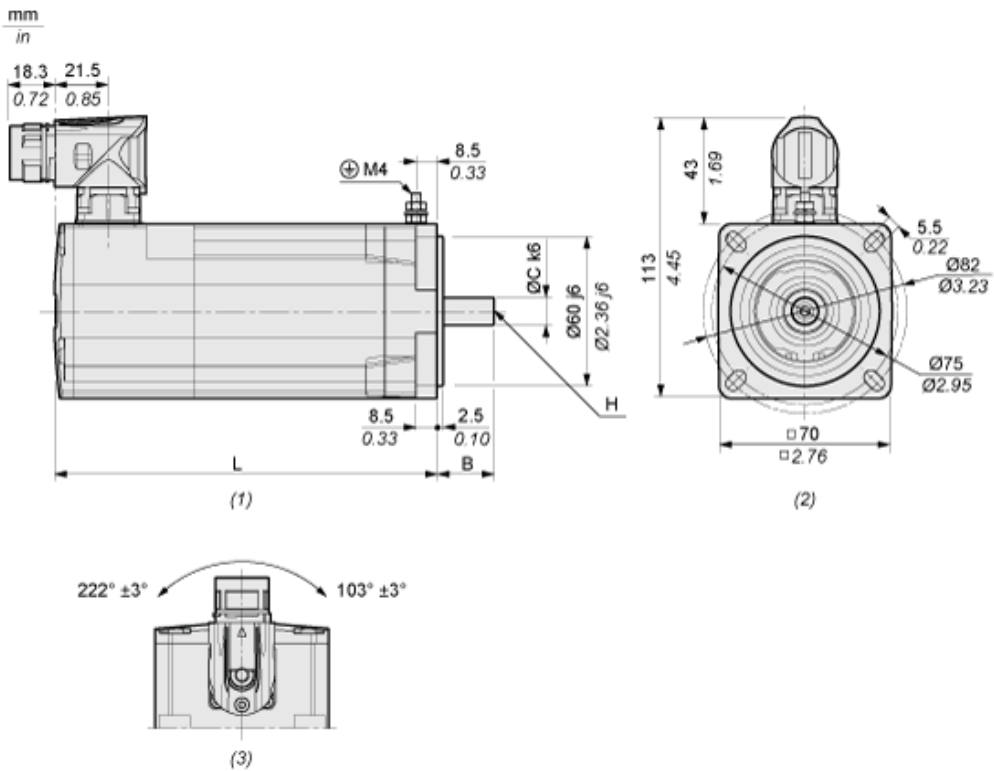
Use Again

Repack and remanufacture

Circularity Profile	No need of specific recycling operations
Take-back	No

Dimensions Drawings

Dimensions



- (1): Side view
- (2): Mounting
- (3): Rotating area

Characteristic	Unit	Value
L Length without holding brake	mm (in)	220 (8.66)
B Shaft length	mm (in)	30 (1.18)
C Shaft diameter	mm (in)	14 (0.55)
H Female thread of shaft		DIN 332-D M5