



Surge suppressor VARISTOR For plugging onto contactors 3RT7 S00

product brand name	SIRIUS		
product category	Surge suppressor		
product designation	Varistor		
product type designation	3RT79		
General technical data			
certificate of suitability	CE		
size of contactor	S00		
Substance Prohibitance (day/month/year)	06/15/2022		
Net Weight	6.2 g		
type of voltage of the control supply voltage	AC/DC		
control supply voltage at AC			
• at 50 Hz rated value	0 V		
• at 50 Hz rated value	24 ... 48 V		
• at 60 Hz rated value	24 ... 48 V		
control supply voltage frequency			
• 1 rated value	50 Hz		
• 2 rated value	60 Hz		
control supply voltage at DC rated value	0 V		
control supply voltage at DC rated value	24 ... 70 V		
design of the surge suppressor	Varistor		
Ambient conditions			
ambient temperature			
• during operation	-10 ... +55 °C		
• during storage	-25 ... +70 °C		
Installation/ mounting/ dimensions			
mounting position	any		
fastening method	clip-on		
height	46 mm		
width	28 mm		
depth	9 mm		
Approvals Certificates			
Environment	General Product Approval	EMV	other

[Environmental Confirmations](#)



[Confirmation](#)



Information on the packaging

<https://support.industry.siemens.com/cs/ww/en/view/109813875>

Information for data generation and storage

<https://support.industry.siemens.com/cs/ww/en/view/109995012>

Information- and Downloadcenter (Catalogs, Brochures,...)

<https://www.siemens.com/ic10>

Industry Mall (Online ordering system)

<https://mall.industry.siemens.com/mall/en/en/Catalog/product?mlfb=3RT7916-1BB00>

Cax online generator

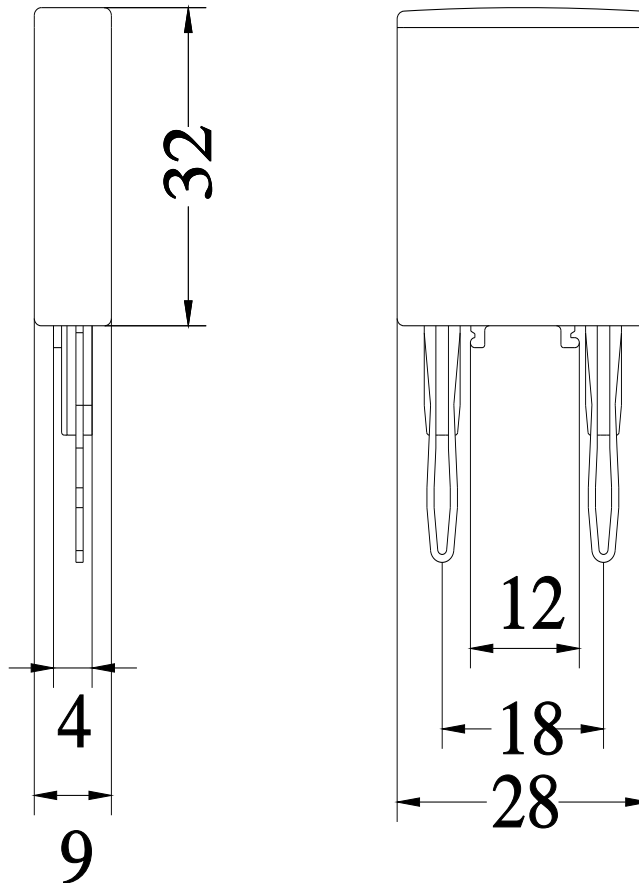
<https://support.automation.siemens.com/WW/CAXorder/default.aspx?lang=en&mlfb=3RT7916-1BB00>

Service&Support (Manuals, Certificates, Characteristics, FAQs,...)

<https://support.industry.siemens.com/cs/ww/en/ps/3RT7916-1BB00>

Image database (product images, 2D dimension drawings, 3D models, device circuit diagrams, EPLAN macros, ...)

https://www.automation.siemens.com/bilddb/cax_de.aspx?mlfb=3RT7916-1BB00&lang=en



last modified:

4/3/2025