

RC unit, 2-pole, type AC, In: 40 A, 30 mA, Un AC: 230 V



| Model  |                          |
|--|--------------------------|
| product brand name   | SENTRON                  |
| product designation  | RC unit electronic       |
| design of the product  | Instantaneous            |
| General technical data   |                          |
| number of poles  | 2                        |
| degree of pollution  | 2                        |
| tripping fault current rated value   | 30 mA                    |
| Supply voltage   |                          |
| value range of the supply voltage frequency  | 50 Hz                    |
| value range of the supply voltage at AC  | 230 V                    |
| Dissipation  |                          |
| power loss [W]   | 0.8 W                    |
| <ul style="list-style-type: none"> <li>for rated value of the current at AC in hot operating state per pole</li> </ul> |                          |
| Appearance   |                          |
| RAL color number   | 7 035                    |
| RAL color number (similar)   | 7 035                    |
| Mechanical Design  |                          |
| Net Weight   | 170 g                    |
| Approvals Certificates   |                          |
| Environment  | General Product Approval |

[Environmental Con-  
firmations](#)

[Environmental Con-  
firmations](#)



[Confirmation](#)



General Product Ap-  
proval

other



[Confirmation](#)



### Further information

Information on the packaging

<https://support.industry.siemens.com/cs/ww/en/view/109813875>

Information for data generation and storage

<https://support.industry.siemens.com/cs/ww/en/view/109995012>

Information- and Downloadcenter (Catalogs, Brochures,...)

<https://www.siemens.com/lowvoltage/catalogs>

Industry Mall (Online ordering system)

<https://mall.industry.siemens.com/mall/en/en/Catalog/product?mlfb=5SM9322-0KN>

Service&Support (Manuals, Certificates, Characteristics, FAQs,...)

<https://support.industry.siemens.com/cs/ww/en/ps/5SM9322-0KN>

Image database (product images, 2D dimension drawings, 3D models, device circuit diagrams, ...)

[https://www.automation.siemens.com/bilddb/cax\\_en.aspx?mlfb=5SM9322-0KN](https://www.automation.siemens.com/bilddb/cax_en.aspx?mlfb=5SM9322-0KN)

CAX-Online-Generator

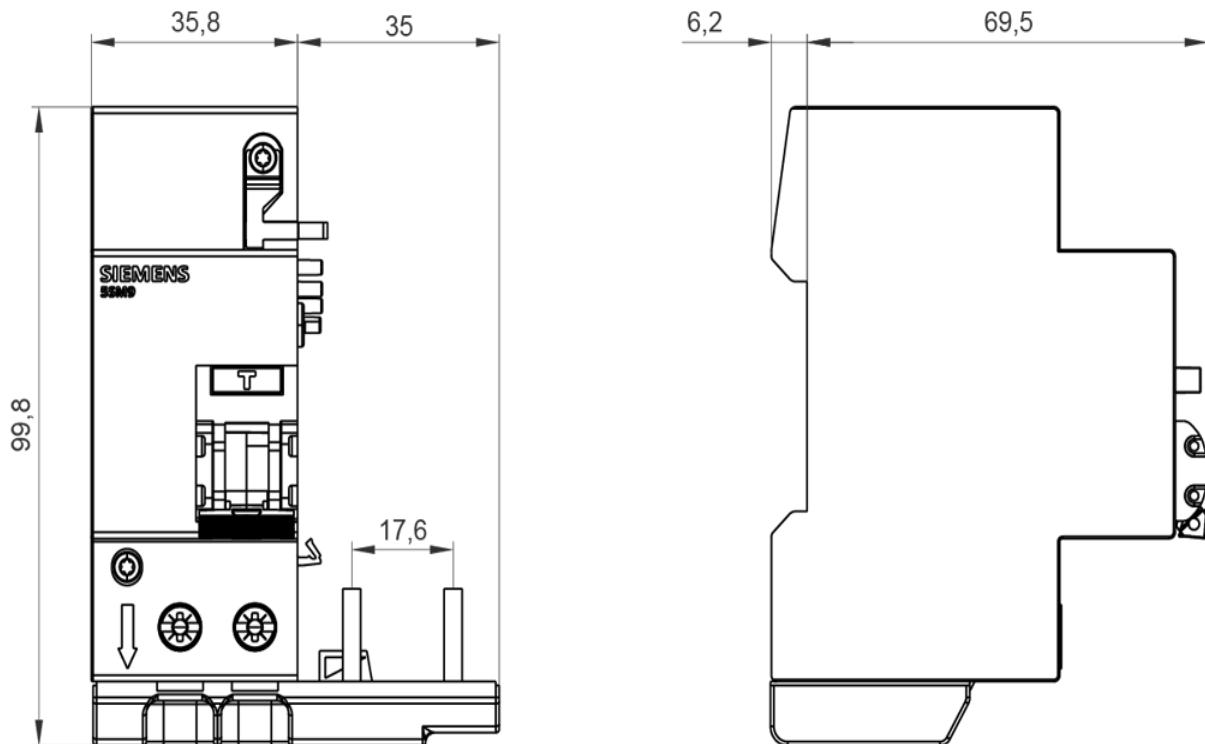
<https://www.siemens.com/cax>

Tender specifications

<https://www.siemens.com/specifications>

Characteristic curves

[https://curves.simaris.siemens.com/curves/<mmp\\_prod\\_noCOMP="HAUPT"></mmp\\_prod\\_no>](https://curves.simaris.siemens.com/curves/<mmp_prod_noCOMP=)



last modified:

10/9/2025

