

# Product data sheet

Specifications



## SH3 OMC motor 70mm 3 st. IP65/65 keyed sh. DSL single turn str. conn.M23 brake

SH30703P1AF3100

⚠ Discontinued on: Oct 9, 2023

⚠ Discontinued

**Product availability: Non-Stock - Not normally stocked in distribution facility**

### Main

Range Compatibility	PacDrive 3
Device short name	SH3
Product or Component Type	Servo motor

### Complementary

Maximum mechanical speed	8000 rpm
[Us] rated supply voltage	115...480 V
Phase	Three phase
Continuous stall current	4.1 A
Continuous stall torque	26.02 lbf.in (2.94 N.m) 115...480 V three phase
Continuous power	1330 W
Peak stall torque	100.01 lbf.in (11.3 N.m) 115...480 V three phase
Nominal output power	830 W 230 V single phase 1330 W 400 V three phase 1330 W 480 V three phase
Nominal torque	24.8 lbf.in (2.8 N.m) 230 V single phase 18.6 lbf.in (2.1 N.m) 400 V three phase 18.6 lbf.in (2.1 N.m) 480 V three phase
Nominal speed	3000 rpm 230 V single phase 6000 rpm 400 V three phase 7200 rpm 480 V three phase
Maximum current Irms	17 A
Shaft end	Parallel key
Shaft diameter	0.6 in (14 mm)
Shaft length	1.2 in (30 mm)
Key width	0.2 in (5 mm)
IP degree of protection	IP65 motor: conforming to IEC 60034-5 IP65 shaft bushing: conforming to IEC 60034-5
Encoder type	Absolute single turn Hiperface DSL
Speed feedback resolution	262144 points/turn
Holding brake	With
Holding torque	26.6 lbf.in (3 N.m)
Mounting Support	International standard flange

Price is "List Price" and may be subject to a trade discount – check with your local distributor or retailer for actual price.

Motor flange size	2.8 in (70 mm)
Electrical Connection	Straight connector
Torque constant	0.72 N.m/A 248 °F (120 °C)
Back emf constant	49 V/krpm 68 °F (20 °C)
Number of motor poles	3
Rotor inertia	0.807 kg.cm <sup>2</sup>
Stator resistance	2.7 Ohm
Stator inductance	14.6 mH
Maximum radial force Fr	1070 N 1000 rpm
Maximum axial force Fa	160 N
Brake pull-in power	7 W
Type of cooling	Natural convection
Length	9.7 in (246 mm)
Centring collar diameter	2.4 in (60 mm)
Centring collar depth	0.10 in (2.5 mm)
Number of mounting holes	4
Mounting holes diameter	0.2 in (5.5 mm)
Circle diameter of the mounting holes	3.2 in (82 mm)
Net Weight	8.8 lb(US) (4.0 kg)
Sizing reference	SH30703P
Network number of phases	3
Temperature copper hot	266 °F (130 °C)
Electrical connection	quicklock straight connector

## Ordering and shipping details

Category	US1PC5218359
Discount Schedule	PC52
GTIN	3606481803566
Returnability	No

## Packing Units

Unit Type of Package 1	PCE
Nbr. of units in pkg.	1
Package 1 Height	4.5 in (11.5 cm)
Package 1 Width	7.5 in (19.0 cm)
Package 1 Length	15.6 in (39.5 cm)
Package weight(Lbs)	9.9 lb(US) (4.5 kg)

## Contractual warranty

Warranty (in months)	18
----------------------	----



## Environmental Data

Schneider Electric aims to achieve Net Zero status by 2050 through supply chain partnerships, lower impact materials, and circularity via our ongoing “Use Better, Use Longer, Use Again” campaign to extend product lifetimes and recyclability.

[Environmental Data explained >](#)

[How we assess product sustainability >](#)

### Use Better



#### Materials and Substances

[EU RoHS Directive](#)

Pro-active compliance (Product out of EU RoHS legal scope)

California proposition 65

WARNING: This product can expose you to chemicals including: Lead and lead compounds, which is known to the State of California to cause cancer and birth defects or other reproductive harm. For more information go to [www.P65Warnings.ca.gov](http://www.P65Warnings.ca.gov)

PVC free

Yes

### Use Longer



#### Lifetime extension

Repair

No

### Use Again



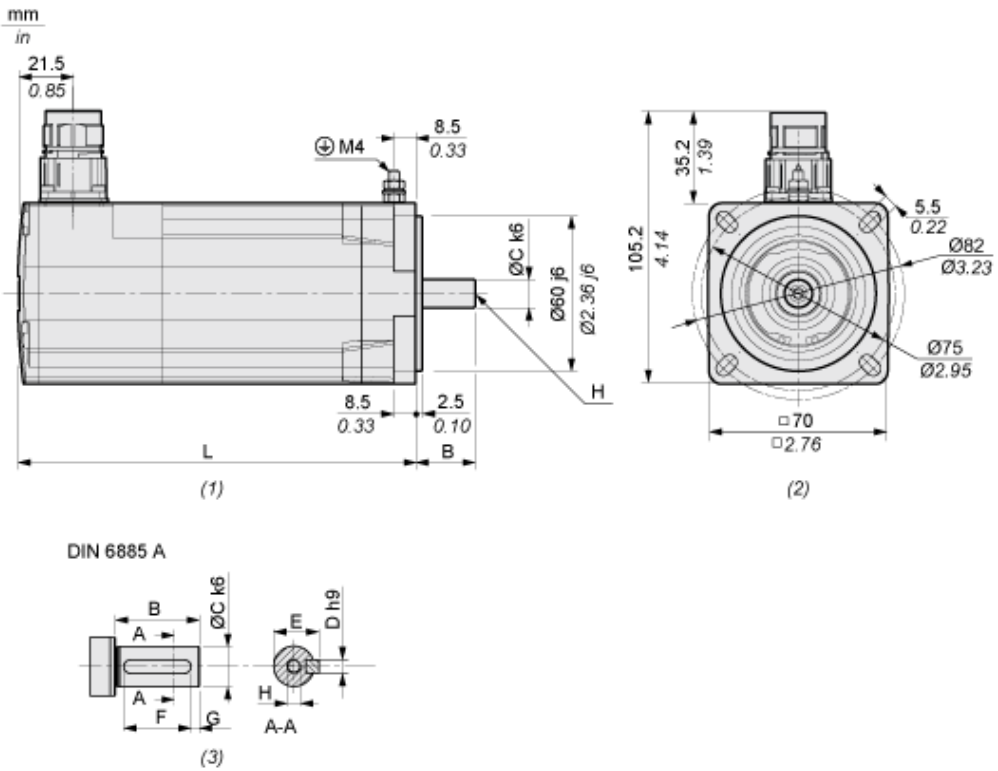
#### Repack and remanufacture

Circularity Profile

No need of specific recycling operations

Dimensions Drawings

Dimensions



- (1) : Side view
- (2) : Mounting
- (3) : Feather key

Characteristic	Unit	Value
L	Length with holding brake	mm (in) 254 (10)
B	Shaft length	mm (in) 30 (1.18)
C	Shaft diameter	mm (in) 14 (0.55)
D	Width of parallel key	mm (in) 5 (0.2)
E	Shaft width with parallel key	mm (in) 16 (0.63)
F	Length of parallel key	mm (in) 20 (0.79)
G	Distance parallel key to shaft end	mm (in) 5 (0.2)
H	Female thread of shaft	DIN 332-D M5
	Parallel key	DIN 6885-A4x4x20