



Circuit breaker 36...45 A, A-release 36...45 A, for motor protection, class 10, short-circuit release 585 A, screw terminal standard switching capacity SIRIUS



product brand name	SIRIUS
product designation	Circuit breaker
design of the product	for motor protection
product type designation	3RV5
General technical data	
size of the circuit-breaker	S2
power loss [W] total typical	20 W
power loss [W] for rated value of the current at AC in hot operating state per pole	9.7 W
type of calculation of power loss current-dependent	quadratic
insulation voltage with degree of pollution 3 at AC rated value	690 V
surge voltage resistance rated value	6 kV
shock resistance according to IEC 60068-2-27	25 g / 11 ms
Substance Prohibitance (day/month/year)	07/01/2006
SVHC substance name	Lead CAS-No. 7439-92-1
Net Weight	1.075 kg
Ambient conditions	
installation altitude at height above sea level maximum	2 000 m
ambient temperature	
• during operation	-20 ... +60 °C
• during transport	-50 ... +80 °C
relative humidity during operation	10 ... 95 %
Main circuit	
number of poles for main current circuit	3
adjustable current response value current of the current-dependent overload release	36 ... 45 A
operating voltage	
• rated value	690 V
• at AC-3 rated value maximum	690 V
operating frequency rated value	50 ... 60 Hz
operational current rated value	45 A
operational current at AC-3 at 400 V rated value	45 A
operating frequency at AC-3 maximum	15 1/h
Protective and monitoring functions	
trip class	CLASS 10
design of the overload release	thermal
maximum short-circuit current breaking capacity (I _{cu}) at AC at 400 V rated value	50 kA
operating short-circuit current breaking capacity (I _{cs}) at AC at 400 V rated value	25 kA

response value current of instantaneous short-circuit trip unit	585 A
Short-circuit protection	
product function short circuit protection	Yes
design of the short-circuit trip	magnetic
Installation/ mounting/ dimensions	
mounting position	any
fastening method	screw and snap-on mounting onto 35 mm DIN rail according to DIN EN 50022
height	140 mm
width	55 mm
depth	149 mm
required spacing for grounded parts	
<ul style="list-style-type: none"> • forwards • backwards • upwards • at the side • downwards 	<ul style="list-style-type: none"> 140 mm 0 mm 50 mm 30 mm 50 mm
Connections/ Terminals	
type of electrical connection	
<ul style="list-style-type: none"> • for main current circuit 	screw-type terminals with box terminals
arrangement of electrical connectors for main current circuit	Top and bottom
type of connectable conductor cross-sections for main contacts	
<ul style="list-style-type: none"> • solid or stranded • finely stranded with core end processing 	<ul style="list-style-type: none"> 2x (0.75 ... 25 mm²), 1x (0.75 ... 35 mm²) 2x (0.75 ... 16 mm²), 1x (0.75 ... 25 mm²)
tightening torque	
<ul style="list-style-type: none"> • for main contacts with screw-type terminals 	3 ... 4.5 N·m
Electrical Safety	
protection class IP on the front according to IEC 60529	IP20
touch protection on the front according to IEC 60529	finger-safe, for vertical contact from the front

Approvals Certificates	Test Certificates
-------------------------------	--------------------------

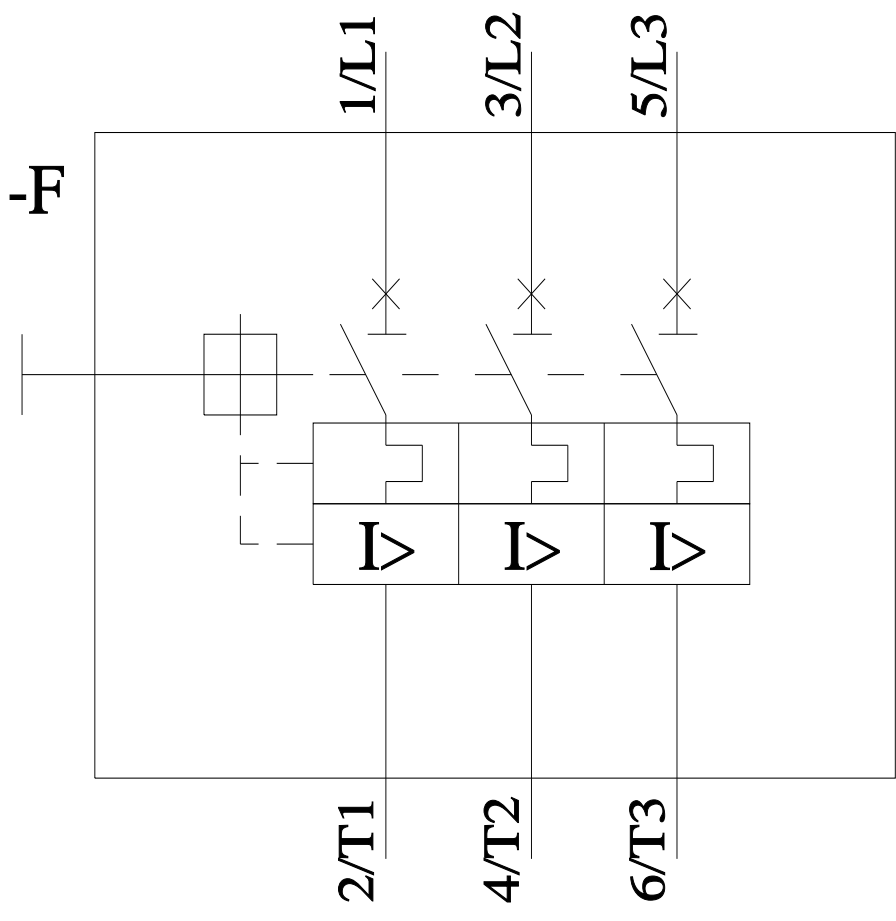
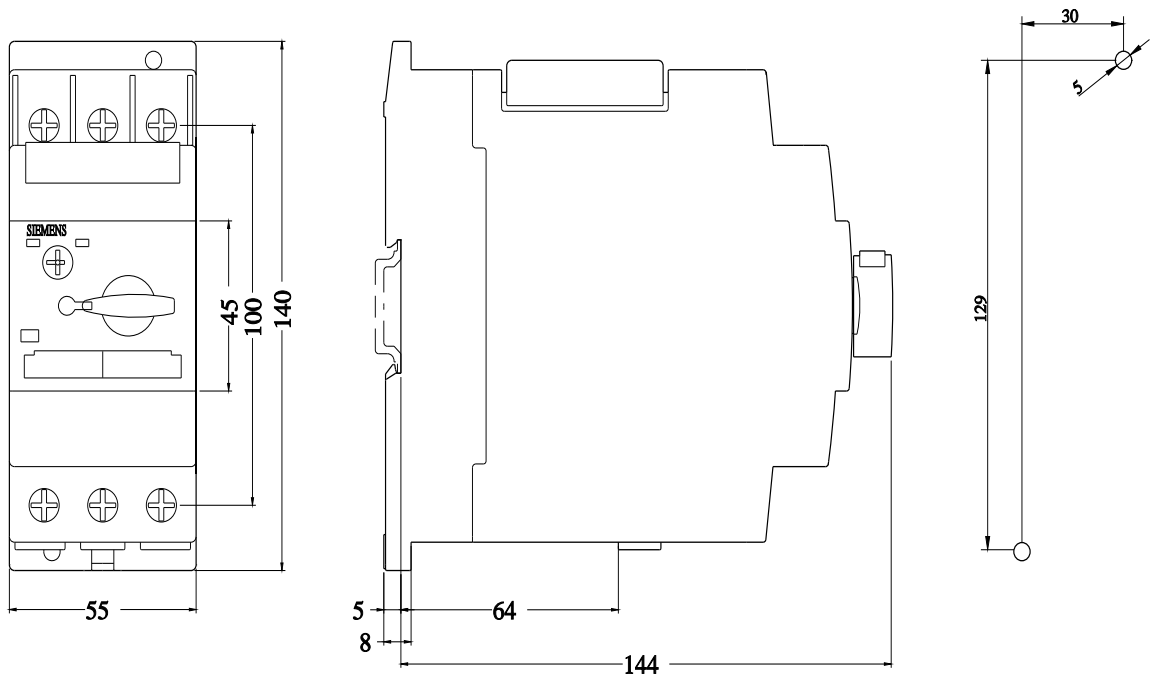
 CCC	Confirmation	 UL		 EG-Konf.	Type Test Certificates/Test Report
--	------------------------------	---	---	---	--

Maritime application	other	Environment
-----------------------------	--------------	--------------------

 LRS	CCS (China Classification Society)	Miscellaneous	Confirmation		Environmental Confirmations
--	--	-------------------------------	------------------------------	---	---

Further information

Service&Support (Manuals, Certificates, Characteristics, FAQs,...)
<https://support.industry.siemens.com/cs/products?pnid=16027&lc=en-CN>



last modified:

5/16/2026

