



Summation current transformer 70 mm



Model	
product brand name	SENTRON
product designation	summation current transformer
design of the product	type A
residual current (I <sub>dn</sub> ) minimum	30 mA
internal diameter of summation current transformer	70 mm
wire length maximum	10 m
protection class IP at connection all terminals	IP20
type of voltage of the operating voltage for actuation	AC
surge voltage resistance rated value	4 kV
operating voltage rated value	
• maximum	720 V
Main circuit	
operating frequency rated value	
• minimum	50 Hz
• maximum	60 Hz
operational current rated value	200 A
Control current	
control supply voltage	
• at AC at 50 Hz rated value maximum	720 V
• at AC at 60 Hz rated value maximum	720 V
Suitability	
suitability for use	for AC power system
Product function	
product function error memory	No
Connections	
type of connectable conductor cross-sections	0.13 mm <sup>2</sup> 2.1 mm <sup>2</sup>
type of electrical connection	screw terminal
Mechanical Design	
height	33 mm
width	130 mm
depth	110 mm
Net Weight	298 g
Environmental conditions	
influence of the surrounding temperature	Max. 95% humidity
ambient temperature during operation	

<ul style="list-style-type: none"> <li>• minimum</li> </ul>	-10 °C
<ul style="list-style-type: none"> <li>• maximum</li> </ul>	50 °C
<b>ambient temperature during storage</b>	
<ul style="list-style-type: none"> <li>• minimum</li> </ul>	-20 °C
<ul style="list-style-type: none"> <li>• maximum</li> </ul>	70 °C

### Certificates

reference code according to IEC 81346-2	T
---	---

### Approvals Certificates

Environment	General Product Approval
-------------	--------------------------

[Environmental Con-  
firmations](#)



[Environmental Con-  
firmations](#)



[Confirmation](#)

General Product Approval	other
--------------------------	-------



[Confirmation](#)

### Further information

Information on the packaging

<https://support.industry.siemens.com/cs/ww/en/view/109813875>

Information for data generation and storage

<https://support.industry.siemens.com/cs/ww/en/view/109995012>

Information- and Downloadcenter (Catalogs, Brochures,...)

<https://www.siemens.com/lowvoltage/catalogs>

Industry Mall (Online ordering system)

<https://mall.industry.siemens.com/mall/en/en/Catalog/product?mlfb=5SV8703-0KK>

Service&Support (Manuals, Certificates, Characteristics, FAQs,...)

<https://support.industry.siemens.com/cs/ww/en/ps/5SV8703-0KK>

Image database (product images, 2D dimension drawings, 3D models, device circuit diagrams, ...)

[https://www.automation.siemens.com/bilddb/cax\\_en.aspx?mlfb=5SV8703-0KK](https://www.automation.siemens.com/bilddb/cax_en.aspx?mlfb=5SV8703-0KK)

CAX-Online-Generator

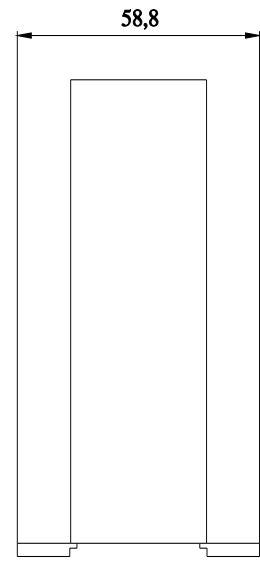
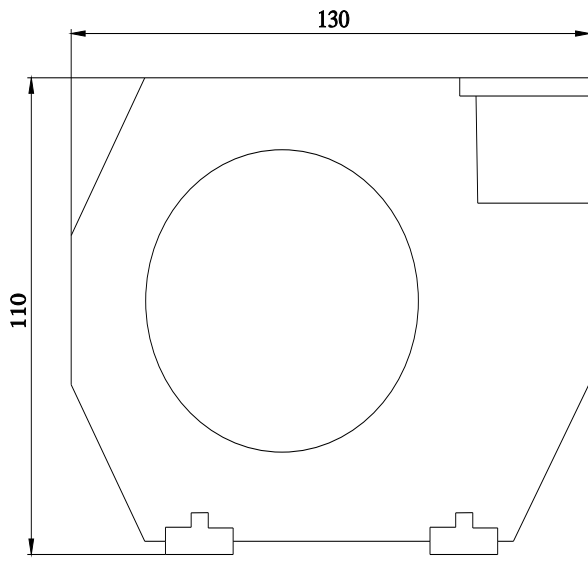
<https://www.siemens.com/cax>

Tender specifications

<https://www.siemens.com/specifications>

Characteristic curves

[https://curves.simaris.siemens.com/curves/<mmp\\_prod\\_noCOMP="HAUPT"></mmp\\_prod\\_no>](https://curves.simaris.siemens.com/curves/<mmp_prod_noCOMP=)



---

last modified:

3/18/2026 

