



capacitor contactor, AC-6b 100 kVAr, / 400 V, 3-pole, 20-33 V AC/DC, 50/60 Hz, with integrated varistor, auxiliary contacts: 2 NC, screw terminal, size: S3

<b>product brand name</b>	SIRIUS
<b>product designation</b>	capacitor contactors
<b>product type designation</b>	3RT26
<b>General technical data</b>	
<b>size of contactor</b>	S3
product extension auxiliary switch	Yes
<b>power loss [W] for rated value of the current</b>	
• at AC in hot operating state per pole	6.5 W
• without load current share typical	3 W
<b>type of calculation of power loss current-dependent</b>	quadratic
<b>insulation voltage</b>	
• of main circuit with degree of pollution 3 rated value	1 000 V
• of auxiliary circuit with degree of pollution 3 rated value	690 V
<b>surge voltage resistance</b>	
• of main circuit rated value	8 kV
• of auxiliary circuit rated value	6 kV
maximum permissible voltage for protective separation between coil and main contacts according to EN 60947-1	400 V
<b>shock resistance at rectangular impulse</b>	
• at AC	10.3 g / 5 ms, 6.7 g / 10 ms
• at DC	6.7 g / 5 ms, 4 g / 10 ms
<b>shock resistance with sine pulse</b>	
• at AC	16.3 g / 5 ms, 10.5 g / 10 ms
• at DC	10.6 g / 5 ms, 6.3 g / 10 ms
<b>mechanical service life (operating cycles)</b>	
• of the contactor with added auxiliary switch block typical	3 000 000
<b>electrical endurance (operating cycles)</b>	120 000
<b>reference code according to IEC 81346-2</b>	Q
<b>Substance Prohibitance (day/month/year)</b>	06/26/2017
<b>SVHC substance name</b>	Lead CAS-No. 7439-92-1 Lead monoxide (lead oxide) CAS-No. 1317-36-8 2-methyl-1-(4-methylthiophenyl)-2-morpholinopropan-1-one CAS-No. 71868-10-5 Melamine CAS-No. 108-78-1
<b>Net Weight</b>	1.895 kg
<b>Ambient conditions</b>	
installation altitude at height above sea level maximum	2 000 m
<b>ambient temperature</b>	
• during operation	-25 ... +60 °C
• during storage	-55 ... +80 °C

<b>relative humidity minimum</b>	10 %
<b>relative humidity at 55 °C according to IEC 60068-2-30 maximum</b>	95 %
<b>Main circuit</b>	
<b>number of poles for main current circuit</b>	3
<b>number of NO contacts for main contacts</b>	3
<b>number of NC contacts for main contacts</b>	0
operational current at AC-6b at 690 V at ambient temperature 60 °C rated value	144 A
<b>operating reactive power at AC-6b</b>	
• at 230 V at 50/60 Hz at ambient temperature 60 °C rated value	19 ... 57 kvar
• at 400 V at 50/60 Hz at ambient temperature 60 °C rated value	33 ... 100 kvar
• at 500 V at 50/60 Hz at ambient temperature 60 °C rated value	41 ... 125 kvar
• at 690 V at 50/60 Hz at ambient temperature 60 °C rated value	57 ... 172 kvar
<b>no-load switching frequency</b>	
• at AC	500 1/h
• at DC	500 1/h
<b>operating frequency at AC-6b</b>	
• at 230 V maximum	150 1/h
• at 240 V maximum	150 1/h
• at 400 V maximum	60 1/h
• at 480 V maximum	40 1/h
• at 500 V maximum	40 1/h
• at 600 V maximum	20 1/h
• at 690 V maximum	20 1/h
<b>Control circuit/ Control</b>	
<b>type of voltage</b>	AC/DC
<b>type of voltage of the control supply voltage</b>	AC/DC
<b>control supply voltage at AC</b>	
• at 50 Hz rated value	20 ... 33 V
• at 60 Hz rated value	20 ... 33 V
<b>control supply voltage frequency</b>	
• 1 rated value	50 Hz
• 2 rated value	60 Hz
<b>control supply voltage at DC rated value</b>	20 ... 33 V
<b>operating range factor control supply voltage rated value of magnet coil at DC</b>	
• initial value	0.8
• full-scale value	1.1
<b>operating range factor control supply voltage rated value of magnet coil at AC</b>	
• at 50 Hz	0.8 ... 1.1
• at 60 Hz	0.8 ... 1.1
<b>inrush current peak</b>	6.5 A
<b>duration of inrush current peak</b>	50 µs
<b>pickup current mean value</b>	3.2 A
<b>pickup current peak</b>	6.5 A
<b>duration of pickup current</b>	150 ms
<b>holding current mean value</b>	75 mA
<b>apparent pick-up power of magnet coil at AC</b>	163 VA
<b>apparent holding power of magnet coil at AC</b>	3.1 VA
<b>closing power of magnet coil at DC</b>	76 W
<b>holding power of magnet coil at DC</b>	1.8 W
<b>closing delay</b>	
• at AC	50 ... 70 ms
• at DC	50 ... 70 ms
<b>opening delay</b>	

<ul style="list-style-type: none"> <li>• at AC</li> </ul>	38 ... 57 ms
<ul style="list-style-type: none"> <li>• at DC</li> </ul>	38 ... 57 ms
<b>arcing time</b>	10 ... 20 ms
<b>control version of the switch operating mechanism</b>	Standard A1 - A2
<b>Auxiliary circuit</b>	
<b>number of NC contacts for auxiliary contacts</b>	2
<ul style="list-style-type: none"> <li>• attachable</li> </ul>	1
<ul style="list-style-type: none"> <li>• instantaneous contact</li> </ul>	2
<b>number of NO contacts for auxiliary contacts</b>	0
<ul style="list-style-type: none"> <li>• attachable</li> </ul>	1
<ul style="list-style-type: none"> <li>• instantaneous contact</li> </ul>	0
<b>operational current of auxiliary contacts at AC-12 maximum</b>	10 A
<b>operational current of auxiliary contacts at AC-15</b>	
<ul style="list-style-type: none"> <li>• at 230 V</li> </ul>	6 A
<ul style="list-style-type: none"> <li>• at 400 V</li> </ul>	3 A
<ul style="list-style-type: none"> <li>• at 690 V</li> </ul>	0 A
<b>operational current of auxiliary contacts at DC-13</b>	
<ul style="list-style-type: none"> <li>• at 24 V</li> </ul>	6 A
<ul style="list-style-type: none"> <li>• at 60 V</li> </ul>	2 A
<ul style="list-style-type: none"> <li>• at 110 V</li> </ul>	1 A
<ul style="list-style-type: none"> <li>• at 125 V</li> </ul>	0.9 A
<ul style="list-style-type: none"> <li>• at 220 V</li> </ul>	0.3 A
<b>contact reliability of auxiliary contacts</b>	0.00000001
<b>UL/CSA ratings</b>	
<b>contact rating of auxiliary contacts according to UL</b>	A600 / Q600
<b>Short-circuit protection</b>	
design of the miniature circuit breaker for short-circuit protection of the auxiliary circuit up to 230 V	C characteristic: 10 A; 0.4 kA
<b>design of the fuse link</b>	
<ul style="list-style-type: none"> <li>• for short-circuit protection of the main circuit with type of coordination 1 required</li> </ul>	gG: 250 A (690 V, 50 kA)
<ul style="list-style-type: none"> <li>• for short-circuit protection of the auxiliary switch required</li> </ul>	gG: 10 A (690 V, 1 kA)
<b>Installation/ mounting/ dimensions</b>	
<b>mounting position</b>	+/-180° rotation possible on vertical mounting surface; can be tilted forward and backward by +/- 22.5° on vertical mounting surface
<b>fastening method</b>	screw and snap-on mounting onto 35 mm DIN rail according to DIN EN 50022
<b>height</b>	140 mm
<b>width</b>	80 mm
<b>depth</b>	152 mm
<b>required spacing</b>	
<ul style="list-style-type: none"> <li>• with side-by-side mounting at the side</li> </ul>	10 mm
<ul style="list-style-type: none"> <li>• for grounded parts at the side</li> </ul>	10 mm
<b>Connections/ Terminals</b>	
<b>type of electrical connection</b>	
<ul style="list-style-type: none"> <li>• for main current circuit</li> </ul>	screw-type terminals
<ul style="list-style-type: none"> <li>• for auxiliary and control circuit</li> </ul>	screw-type terminals
<ul style="list-style-type: none"> <li>• at contactor for auxiliary contacts</li> </ul>	Screw-type terminals
<ul style="list-style-type: none"> <li>• of magnet coil</li> </ul>	Screw-type terminals
type of connectable conductor cross-sections for main contacts	
<ul style="list-style-type: none"> <li>• solid</li> </ul>	2x (10 ... 16 mm <sup>2</sup> )
<ul style="list-style-type: none"> <li>• stranded</li> </ul>	2x (10 ... 70 mm <sup>2</sup> ), 1x (10 ... 70 mm <sup>2</sup> )
<ul style="list-style-type: none"> <li>• solid or stranded</li> </ul>	2x (10 ... 70 mm <sup>2</sup> ), 1x (10 ... 70 mm <sup>2</sup> )
<ul style="list-style-type: none"> <li>• finely stranded with core end processing</li> </ul>	2x (10 ... 50 mm <sup>2</sup> )
<b>type of connectable conductor cross-sections</b>	
<ul style="list-style-type: none"> <li>• for auxiliary contacts <ul style="list-style-type: none"> <li>— solid</li> </ul> </li> </ul>	2x (0.5 ... 1.5 mm <sup>2</sup> ), 2x (0.75 ... 2.5 mm <sup>2</sup> ), 2x 4 mm <sup>2</sup>
<ul style="list-style-type: none"> <li>— solid or stranded</li> </ul>	2x (0.5 ... 1.5 mm <sup>2</sup> ), 2x (0.75 ... 2.5 mm <sup>2</sup> ), 2x 4 mm <sup>2</sup>
<ul style="list-style-type: none"> <li>— finely stranded with core end processing</li> </ul>	2x (0.5 ... 1.5 mm <sup>2</sup> ), 2x (0.75 ... 2.5 mm <sup>2</sup> )
<ul style="list-style-type: none"> <li>• for AWG cables for auxiliary contacts</li> </ul>	2x (20 ... 16), 2x (18 ... 14), 2x 12

<b>type of minimum connectable cross-sections for main contacts at AC-6b</b> <ul style="list-style-type: none"> <li>• at 40 °C</li> <li>• at 60 °C</li> </ul>	1x 70 mm <sup>2</sup> 2x 50 mm <sup>2</sup>
<b>AWG number as coded connectable conductor cross section for main contacts</b>	8

### Safety related data

<b>product function</b> <ul style="list-style-type: none"> <li>• mirror contact according to IEC 60947-4-1</li> <li>• positively driven operation according to IEC 60947-5-1</li> </ul>	No No
---	----------

### Electrical Safety

<b>protection class IP on the front according to IEC 60529</b>	IP20
<b>touch protection on the front according to IEC 60529</b>	finger-safe, for vertical contact from the front

### Approvals Certificates

<b>Environmental Product Declaration</b>	
<ul style="list-style-type: none"> <li>• global warming potential [CO2 eq] / during manufacturing</li> <li>• global warming potential [CO2 eq] / during operation</li> <li>• global warming potential [CO2 eq] / after end of life</li> <li>• global warming potential [CO2 eq] / total</li> </ul>	2.47 kg 104 kg -0.226 kg 106 kg

### Environment General Product Approval

[Environmental Confirmations](#)



### General Product Approval EMV Test Certificates Maritime application



[Type Test Certificates/Test Report](#)



### Maritime application other Dangerous goods



[Confirmation](#)

[Confirmation](#)



[Transport Information](#)

### Further information

#### Information on the packaging

<https://support.industry.siemens.com/cs/ww/en/view/109813875>

#### Information for data generation and storage

<https://support.industry.siemens.com/cs/ww/en/view/109995012>

#### Information- and Downloadcenter (Catalogs, Brochures,...)

<https://www.siemens.com/ic10>

#### Industry Mall (Online ordering system)

<https://mall.industry.siemens.com/mall/en/en/Catalog/product?mlfb=3RT2646-1NB35>

#### Service&Support (Manuals, Certificates, Characteristics, FAQs,...)

<https://support.industry.siemens.com/cs/ww/en/ps/3RT2646-1NB35>

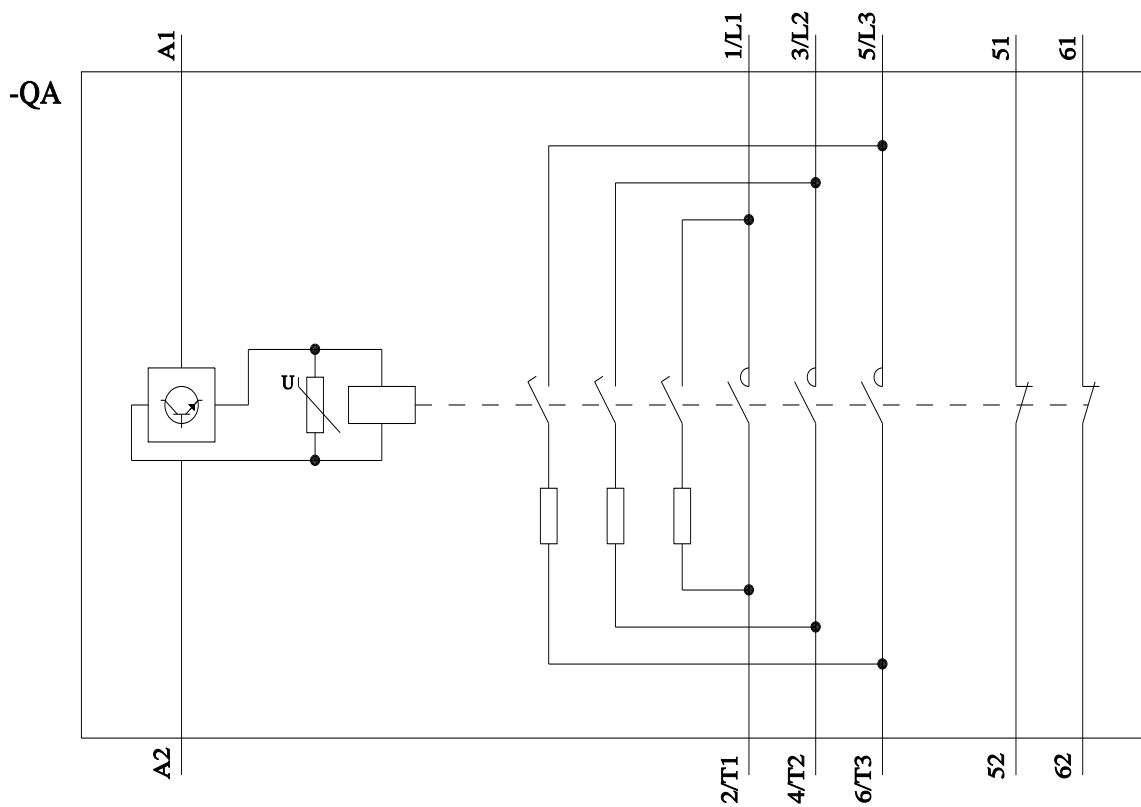
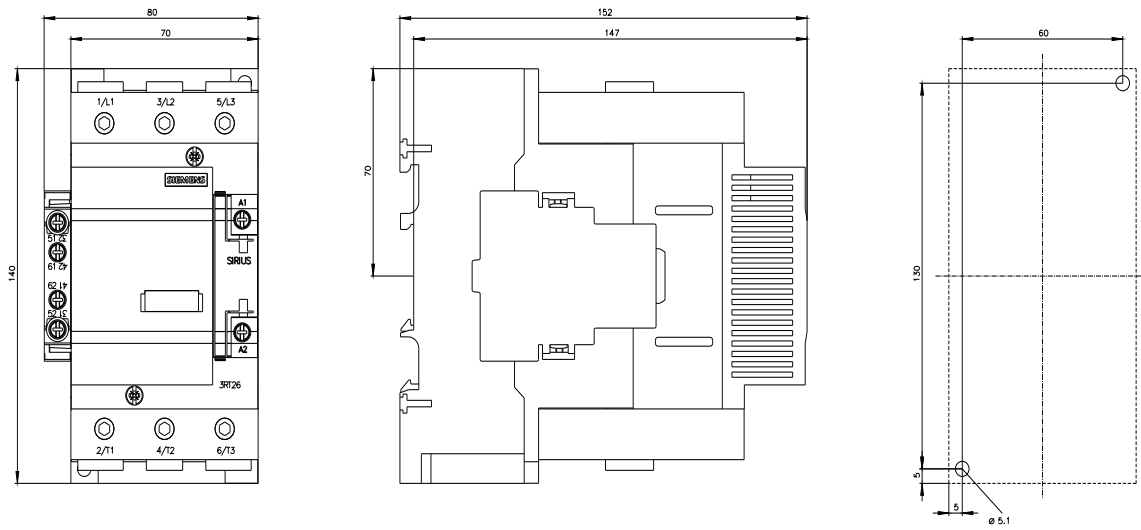
#### Image database (product images, 2D dimension drawings, 3D models, device circuit diagrams, EPLAN macros, ...)

[https://www.automation.siemens.com/bilddb/cax\\_de.aspx?mlfb=3RT2646-1NB35&lang=en](https://www.automation.siemens.com/bilddb/cax_de.aspx?mlfb=3RT2646-1NB35&lang=en)

#### Cax online generator

<https://support.automation.siemens.com/WW/CAXorder/default.aspx?lang=en&mlfb=3RT2646-1NB35>

#### Characteristic curves



last modified:

4/4/2026

