



Surge suppressor RC For plugging onto contactors 3RT7 S00

product brand name	SIRIUS
product category	Surge suppressor
product designation	RC element
product type designation	3RT79
General technical data	
certificate of suitability	CE
size of contactor	S00
Substance Prohibitance (day/month/year)	06/15/2022
Net Weight	7 g
type of voltage of the control supply voltage	AC/DC
control supply voltage at AC	
• at 50 Hz rated value	0 V
• at 50 Hz rated value	48 ... 127 V
• at 60 Hz rated value	48 ... 127 V
control supply voltage frequency	
• 1 rated value	50 Hz
• 2 rated value	60 Hz
control supply voltage at DC rated value	0 V
control supply voltage at DC rated value	70 ... 150 V
design of the surge suppressor	RC element
Ambient conditions	
ambient temperature	
• during operation	-10 ... +55 °C
• during storage	-25 ... +70 °C
Installation/ mounting/ dimensions	
mounting position	any
fastening method	clip-on
height	46 mm
width	28 mm
depth	9 mm

Approvals Certificates			
Environment	General Product Approval	EMV	other

[Environmental Confirmations](#)



[Confirmation](#)



Further information

Information on the packaging

<https://support.industry.siemens.com/cs/ww/en/view/109813875>

Information for data generation and storage

<https://support.industry.siemens.com/cs/ww/en/view/109995012>

Information- and Downloadcenter (Catalogs, Brochures,...)

<https://www.siemens.com/ic10>

Industry Mall (Online ordering system)

<https://mall.industry.siemens.com/mall/en/en/Catalog/product?mlfb=3RT7916-1CC00>

Cax online generator

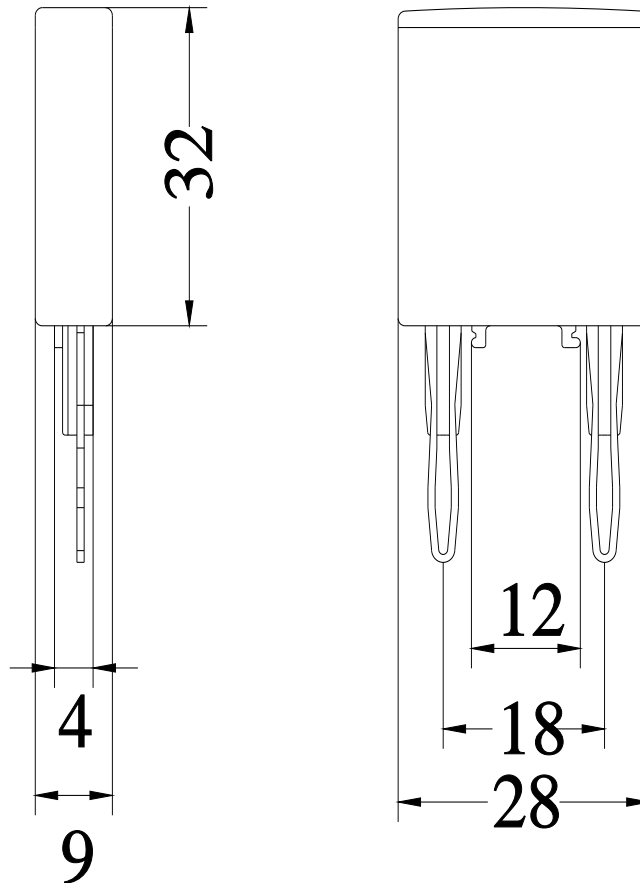
<https://support.automation.siemens.com/WW/CAXorder/default.aspx?lang=en&mlfb=3RT7916-1CC00>

Service&Support (Manuals, Certificates, Characteristics, FAQs,...)

<https://support.industry.siemens.com/cs/ww/en/ps/3RT7916-1CC00>

Image database (product images, 2D dimension drawings, 3D models, device circuit diagrams, EPLAN macros, ...)

https://www.automation.siemens.com/bilddb/cax_de.aspx?mlfb=3RT7916-1CC00&lang=en



last modified:

4/3/2025