

Product datasheet

Specifications



servo motor BCH2, Lexium, 130mm,
1000W, with oil seal, with key, 20 bit
MT encoder, straight connection

BCH2MM1023MA6C

Main

Range compatibility Easy Lexium 26
Lexium 28

Device short name BCH2

Product or component type Servo motor

Complementary

Maximum mechanical speed 3000 rpm

[Us] rated supply voltage 220 V

Network number of phases Single phase
Three phase

Continuous stall current 5.77 A

Continuous stall torque 4.77 N.m for LXM26D at 7 A, 220 V, single phase
4.77 N.m for LXM26D at 7 A, 220 V, three phase
4.77 N.m for LXM28 at 7 A, 220 V, single phase
4.77 N.m for LXM28 at 7 A, 220 V, three phase

Continuous power 1000 W

Peak stall torque 14.3 N.m for LXM26D at 7 A, 220 V, single phase
14.3 N.m for LXM26D at 7 A, 220 V, three phase
14.3 N.m for LXM28... at 7 A, 220 V, single phase
14.3 N.m for LXM28... at 7 A, 220 V, three phase

Nominal output power 1000 W for LXM26D at 7 A, 220 V, single phase
1000 W for LXM26D at 7 A, 220 V, three phase
1000 W for LXM28... at 7 A, 220 V, single phase
1000 W for LXM28... at 7 A, 220 V, three phase

Nominal torque 4.77 N.m for LXM26D at 7 A, 220 V, single phase
4.77 N.m for LXM26D at 7 A, 220 V, three phase
4.77 N.m for LXM28... at 7 A, 220 V, single phase
4.77 N.m for LXM28... at 7 A, 220 V, three phase

Nominal speed 2000 rpm for LXM26D at 7 A, 220 V, single phase
2000 rpm for LXM26D at 7 A, 220 V, three phase
2000 rpm for LXM28... at 7 A, 220 V, single phase
2000 rpm for LXM28... at 7 A, 220 V, three phase

Maximum current Irms 19.64 A for LXM28... at 1 kW, 220 V

Maximum permanent current 6.29 A

Product compatibility LXM26D servo drive motor at 1 kW, 220 V, single phase
LXM26D servo drive motor at 1 kW, 220 V, three phase
LXM28... servo drive motor at 1 kW, 220 V, single phase
LXM28... servo drive motor at 1 kW, 220 V, three phase

Shaft end Keyed

Shaft diameter 22 mm

Shaft length 55 mm

Key width	8 mm
Feedback type	20 bits multi turn absolute encoder
Holding brake	Without
Mounting support	Asian standard flange
Motor flange size	130 mm
Electrical connection	Connector MIL
Torque constant	0.83 N.m/A at 20 °C
Back emf constant	50 V/krpm at 20 °C
Number of motor poles	5.0
Rotor inertia	6.63 kg.cm ²
Stator resistance	0.62 Ohm at 20 °C
Stator inductance	7.14 mH at 20 °C
Stator electrical time constant	11.94 ms at 20 °C
Maximum radial force Fr	670 N at 2000 rpm
Maximum axial force Fa	200 N
Brake pull-in power	19.7 W
Type of cooling	Natural convection
Length	147 mm
Number of motor stacks	1
Centring collar diameter	110 mm
Centring collar depth	8 mm
Number of mounting holes	4
Mounting holes diameter	9.2 mm
Circle diameter of the mounting holes	145 mm
Distance shaft shoulder-flange	8 mm
Net weight	7 kg
Sizing reference	BCH2
Network number of phases	1
Accuracy error [angular]	0.044 °
Temperature copper hot	135 °C
Temperature magnet hot	100 °C
Temperature magnet rt	20 °C
Inertia	0.0 kg.cm ² of brake 6.62 kg.cm ² of motor

Environment

IP degree of protection	IP50 IM V3 IP65 IM B5, IM V1
Ambient air temperature for operation	-20...40 °C

Packing Units

Unit Type of Package 1	PCE
------------------------	-----

Number of Units in Package 1	1
Package 1 Height	18.3 cm
Package 1 Width	22.7 cm
Package 1 Length	35.7 cm
Package 1 Weight	8 kg
Unit Type of Package 2	S06
Number of Units in Package 2	9
Package 2 Height	80 cm
Package 2 Width	60 cm
Package 2 Length	72 cm
Package 2 Weight	83 kg

Contractual warranty

Warranty (in months)	18
-----------------------------	----



Environmental Data

Schneider Electric aims to achieve Net Zero status by 2050 through supply chain partnerships, lower impact materials, and circularity via our ongoing “Use Better, Use Longer, Use Again” campaign to extend product lifetimes and recyclability.

[Environmental Data explained >](#)

[How we assess product sustainability >](#)



Environmental footprint

Total lifecycle Carbon footprint	4 166 kg CO2 eq.
Environmental Disclosure	Product Environmental Profile
Carbon footprint of the manufacturing phase [A1 to A3]	46 kg CO2 eq.
Carbon footprint of the distribution phase [A4]	1 kg CO2 eq.
Carbon footprint of the installation phase [A5]	0.1 kg CO2 eq.
Carbon footprint of the use phase [B2, B3, B4, B6]	4 118 kg CO2 eq.
Carbon footprint of the end-of-life phase [C1 to C4]	0.9 kg CO2 eq.

Use Better



Materials and Substances

Packaging made with recycled cardboard	Yes
Packaging without single use plastic	No
EU RoHS Directive	Pro-active compliance (Product out of EU RoHS legal scope)
REACH Regulation	REACH Declaration
PVC free	Yes

Use Longer



Lifetime extension

Repair	No
--------	----

Use Again



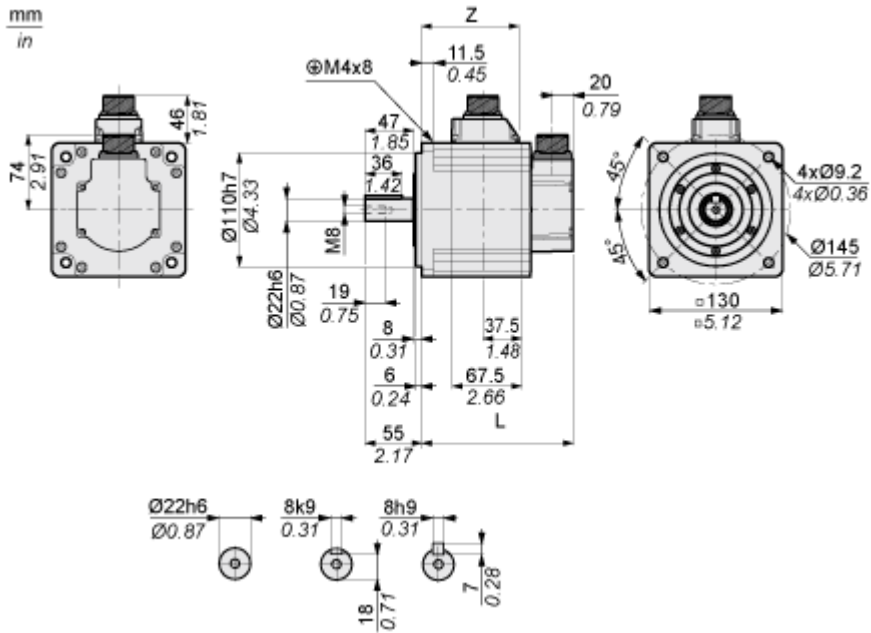
Repack and remanufacture

End of life manual availability	End of Life Information
Take-back	No

Dimensions Drawings

Dimensions

Dimensions of Motor

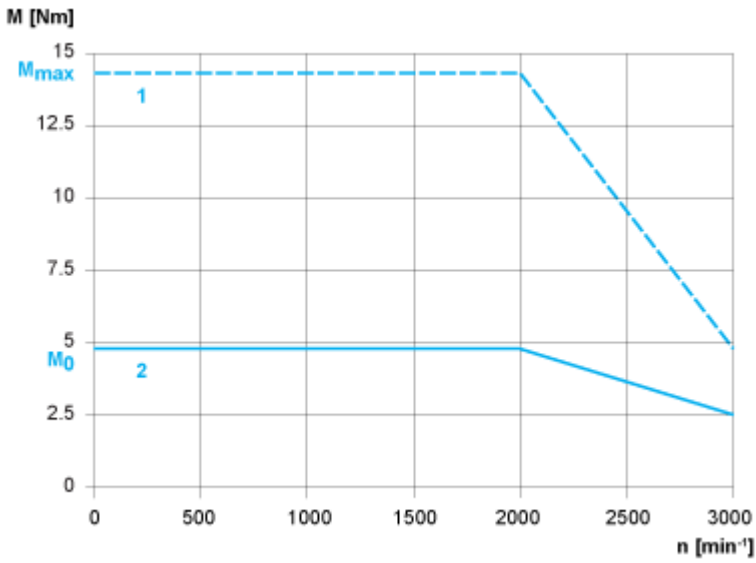


	mm	in.
L (without holding brake)	147	5.79
L (with holding brake)	183	7.2
Z	94.5	3.72

Performance Curves

Torque/Speed Curves with 230 V Single/Three Phase Supply Voltage

Servo Motor with LXM28AU10••• Servo Drive



- 1 : Peak torque
- 2 : Continuous torque