



power contactor, AC-3e/AC-3, 7 A, 3 kW / 400 V, 3-pole, 24 V DC, 0.85-1.85\* U<sub>c</sub>, with integrated suppressor diode, auxiliary contacts: 1 NO, spring-loaded terminal, frame size: S00

product brand name	SIRIUS
product designation	Power contactor
product type designation	3RT2
<b>General technical data</b>	
size of contactor	S00
product extension	
• function module for communication	No
• auxiliary switch	No
power loss [W] for rated value of the current	
• at AC in hot operating state	0.6 W
• at AC in hot operating state per pole	0.2 W
• without load current share typical	1.6 W
type of calculation of power loss current-dependent	quadratic
insulation voltage	
• of main circuit with degree of pollution 3 rated value	690 V
• of auxiliary circuit with degree of pollution 3 rated value	690 V
surge voltage resistance	
• of main circuit rated value	6 kV
• of auxiliary circuit rated value	6 kV
maximum permissible voltage for protective separation between coil and main contacts according to EN 60947-1	400 V
shock resistance at rectangular impulse	
• at DC	6,7 g / 5 ms, 4,2 g / 10 ms
shock resistance with sine pulse	
• at DC	10,5 g / 5 ms, 6,6 g / 10 ms
mechanical service life (operating cycles)	
• of contactor typical	30 000 000
reference code according to IEC 81346-2	Q
Substance Prohibitance (day/month/year)	10/01/2009
SVHC substance name	Lead CAS-No. 7439-92-1
Net Weight	0.32 kg
<b>Ambient conditions</b>	
installation altitude at height above sea level maximum	2 000 m
ambient temperature	
• during operation	-25 ... +60 °C
• during storage	-55 ... +80 °C
relative humidity minimum	10 %
relative humidity at 55 °C according to IEC 60068-2-30 maximum	95 %

Main circuit	
number of poles for main current circuit	3
number of NO contacts for main contacts	3
number of NC contacts for main contacts	0
<b>operating voltage</b>	
<ul style="list-style-type: none"> <li>● at AC-3 rated value maximum</li> <li>● at AC-3e rated value maximum</li> </ul>	690 V 690 V
<b>operational current</b>	
<ul style="list-style-type: none"> <li>● at AC-1 at 400 V at ambient temperature 40 °C rated value</li> <li>● at AC-1               <ul style="list-style-type: none"> <li>— up to 690 V at ambient temperature 40 °C rated value</li> <li>— up to 690 V at ambient temperature 60 °C rated value</li> </ul> </li> <li>● at AC-3               <ul style="list-style-type: none"> <li>— at 400 V rated value</li> <li>— at 500 V rated value</li> <li>— at 690 V rated value</li> </ul> </li> <li>● at AC-3e               <ul style="list-style-type: none"> <li>— at 400 V rated value</li> <li>— at 500 V rated value</li> <li>— at 690 V rated value</li> </ul> </li> <li>● at AC-4 at 400 V rated value</li> <li>● at AC-5a up to 690 V rated value</li> <li>● at AC-5b up to 400 V rated value</li> <li>● at AC-6a               <ul style="list-style-type: none"> <li>— up to 230 V for current peak value n=20 rated value</li> <li>— up to 400 V for current peak value n=20 rated value</li> <li>— up to 500 V for current peak value n=20 rated value</li> <li>— up to 690 V for current peak value n=20 rated value</li> </ul> </li> <li>● at AC-6a               <ul style="list-style-type: none"> <li>— up to 230 V for current peak value n=30 rated value</li> <li>— up to 400 V for current peak value n=30 rated value</li> <li>— up to 500 V for current peak value n=30 rated value</li> <li>— up to 690 V for current peak value n=30 rated value</li> </ul> </li> </ul>	18 A 18 A 16 A 7 A 6 A 4.9 A 7 A 6 A 4.9 A 6.5 A 15.8 A 5.8 A 4 A 4 A 3.8 A 3.6 A 2.7 A 2.7 A 2.5 A 2.4 A
minimum cross-section in main circuit at maximum AC-1 rated value	2.5 mm <sup>2</sup>
<b>operational current for approx. 200000 operating cycles at AC-4</b>	
<ul style="list-style-type: none"> <li>● at 400 V rated value</li> <li>● at 690 V rated value</li> </ul>	2.6 A 1.8 A
<b>operational current</b>	
<ul style="list-style-type: none"> <li>● at 1 current path at DC-1               <ul style="list-style-type: none"> <li>— at 24 V rated value</li> <li>— at 60 V rated value</li> <li>— at 110 V rated value</li> <li>— at 220 V rated value</li> <li>— at 440 V rated value</li> <li>— at 600 V rated value</li> </ul> </li> <li>● with 2 current paths in series at DC-1               <ul style="list-style-type: none"> <li>— at 24 V rated value</li> <li>— at 60 V rated value</li> <li>— at 110 V rated value</li> <li>— at 220 V rated value</li> <li>— at 440 V rated value</li> <li>— at 600 V rated value</li> </ul> </li> <li>● with 3 current paths in series at DC-1               <ul style="list-style-type: none"> <li>— at 24 V rated value</li> <li>— at 60 V rated value</li> </ul> </li> </ul>	15 A 15 A 1.5 A 0.6 A 0.42 A 0.42 A 15 A 15 A 8.4 A 1.2 A 0.6 A 0.5 A 15 A 15 A

<ul style="list-style-type: none"> <li>— at 110 V rated value</li> <li>— at 220 V rated value</li> <li>— at 440 V rated value</li> <li>— at 600 V rated value</li> </ul>	15 A 15 A 0.9 A 0.7 A
<ul style="list-style-type: none"> <li>● <b>at 1 current path at DC-3 at DC-5</b> <ul style="list-style-type: none"> <li>— at 24 V rated value</li> <li>— at 60 V rated value</li> </ul> </li> </ul>	15 A 0.35 A
<ul style="list-style-type: none"> <li>● <b>with 2 current paths in series at DC-3 at DC-5</b> <ul style="list-style-type: none"> <li>— at 24 V rated value</li> <li>— at 60 V rated value</li> <li>— at 110 V rated value</li> </ul> </li> </ul>	15 A 3.5 A 0.25 A
<ul style="list-style-type: none"> <li>● <b>with 3 current paths in series at DC-3 at DC-5</b> <ul style="list-style-type: none"> <li>— at 24 V rated value</li> <li>— at 60 V rated value</li> <li>— at 110 V rated value</li> <li>— at 220 V rated value</li> <li>— at 440 V rated value</li> <li>— at 600 V rated value</li> </ul> </li> </ul>	15 A 15 A 15 A 1.2 A 0.14 A 0.14 A
<b>operating power</b> <ul style="list-style-type: none"> <li>● at AC-3               <ul style="list-style-type: none"> <li>— at 230 V rated value</li> <li>— at 400 V rated value</li> <li>— at 500 V rated value</li> <li>— at 690 V rated value</li> </ul> </li> <li>● at AC-3e               <ul style="list-style-type: none"> <li>— at 230 V rated value</li> <li>— at 400 V rated value</li> <li>— at 500 V rated value</li> <li>— at 690 V rated value</li> </ul> </li> </ul>	1.5 kW 3 kW 3 kW 4 kW  1.5 kW 3 kW 3 kW 4 kW
<b>operating power for approx. 200000 operating cycles at AC-4</b> <ul style="list-style-type: none"> <li>● at 400 V rated value</li> <li>● at 690 V rated value</li> </ul>	1.15 kW 1.15 kW
<b>operating apparent power at AC-6a</b> <ul style="list-style-type: none"> <li>● up to 230 V for current peak value n=20 rated value</li> <li>● up to 400 V for current peak value n=20 rated value</li> <li>● up to 500 V for current peak value n=20 rated value</li> <li>● up to 690 V for current peak value n=20 rated value</li> </ul>	1.5 kVA 2.7 kVA 3.3 kVA 4.3 kVA
<b>operating apparent power at AC-6a</b> <ul style="list-style-type: none"> <li>● up to 230 V for current peak value n=30 rated value</li> <li>● up to 400 V for current peak value n=30 rated value</li> <li>● up to 500 V for current peak value n=30 rated value</li> <li>● up to 690 V for current peak value n=30 rated value</li> </ul>	1 kVA 1.8 kVA 2.2 kVA 2.9 kVA
<b>short-time withstand current in cold operating state up to 40 °C</b> <ul style="list-style-type: none"> <li>● limited to 1 s switching at zero current maximum</li> <li>● limited to 5 s switching at zero current maximum</li> <li>● limited to 10 s switching at zero current maximum</li> <li>● limited to 30 s switching at zero current maximum</li> <li>● limited to 60 s switching at zero current maximum</li> </ul>	120 A; Use minimum cross-section acc. to AC-1 rated value 86 A; Use minimum cross-section acc. to AC-1 rated value 67 A; Use minimum cross-section acc. to AC-1 rated value 52 A; Use minimum cross-section acc. to AC-1 rated value 43 A; Use minimum cross-section acc. to AC-1 rated value
<b>no-load switching frequency</b> <ul style="list-style-type: none"> <li>● at DC</li> </ul>	10 000 1/h
<b>operating frequency</b> <ul style="list-style-type: none"> <li>● at AC-1 maximum</li> <li>● at AC-2 maximum</li> <li>● at AC-3 maximum</li> <li>● at AC-3e               <ul style="list-style-type: none"> <li>— maximum</li> </ul> </li> <li>● at AC-4 maximum</li> </ul>	1 000 1/h 750 1/h 750 1/h 750 1/h 250 1/h

Control circuit/ Control	
type of voltage of the control supply voltage	DC
control supply voltage at DC rated value	24 V
operating range factor control supply voltage rated value of magnet coil at DC	
• initial value	0.85
• full-scale value	1.85
design of the surge suppressor	suppressor diode
closing power of magnet coil at DC	1.6 W
holding power of magnet coil at DC	1.6 W
closing delay	
• at DC	25 ... 120 ms
opening delay	
• at DC	5 ... 20 ms
arcing time	10 ... 15 ms
control version of the switch operating mechanism	Standard A1 - A2
Auxiliary circuit	
number of NC contacts for auxiliary contacts instantaneous contact	0
number of NO contacts for auxiliary contacts instantaneous contact	1
operational current at AC-12 maximum	10 A
operational current at AC-15	
• at 230 V rated value	10 A
• at 400 V rated value	3 A
• at 500 V rated value	2 A
• at 690 V rated value	1 A
operational current at DC-12	
• at 24 V rated value	10 A
• at 48 V rated value	6 A
• at 60 V rated value	6 A
• at 110 V rated value	3 A
• at 125 V rated value	2 A
• at 220 V rated value	1 A
• at 600 V rated value	0.15 A
operational current at DC-13	
• at 24 V rated value	10 A
• at 48 V rated value	2 A
• at 60 V rated value	2 A
• at 110 V rated value	1 A
• at 125 V rated value	0.9 A
• at 220 V rated value	0.3 A
• at 600 V rated value	0.1 A
contact reliability of auxiliary contacts	1 faulty switching per 100 million (17 V, 1 mA)
UL/CSA ratings	
full-load current (FLA) for 3-phase AC motor	
• at 480 V rated value	4.8 A
• at 600 V rated value	6.1 A
yielded mechanical performance [hp]	
• for single-phase AC motor	
— at 110/120 V rated value	0.25 hp
— at 230 V rated value	0.75 hp
• for 3-phase AC motor	
— at 200/208 V rated value	1.5 hp
— at 220/230 V rated value	2 hp
— at 460/480 V rated value	3 hp
— at 575/600 V rated value	5 hp
contact rating of auxiliary contacts according to UL	A600 / Q600
Short-circuit protection	
design of the miniature circuit breaker for short-circuit protection	C characteristic: 10 A; 0.4 kA

of the auxiliary circuit up to 230 V	
<b>design of the fuse link</b>	
<ul style="list-style-type: none"> <li>● for short-circuit protection of the main circuit <ul style="list-style-type: none"> <li>— with type of coordination 1 required</li> <li>— with type of coordination 2 required</li> </ul> </li> <li>● for short-circuit protection of the auxiliary switch required</li> </ul>	gG: 35 A (690 V, 100 kA), aM: 20 A (690 V, 100 kA), BS88: 35 A (415 V, 80 kA) gG: 20 A (690 V, 100 kA), aM: 16 A (690 V, 100 kA), BS88: 20 A (415 V, 80 kA) gG: 10 A (500 V, 1 kA)
<b>Installation/ mounting/ dimensions</b>	
<b>mounting position</b>	+/-180° rotation possible on vertical mounting surface; can be tilted forward and backward by +/- 22.5° on vertical mounting surface
fastening method side-by-side mounting	Yes
<b>fastening method</b>	screw and snap-on mounting onto 35 mm DIN rail according to DIN EN 60715
<b>height</b>	70 mm
<b>width</b>	45 mm
<b>depth</b>	73 mm
<b>required spacing</b>	
<ul style="list-style-type: none"> <li>● with side-by-side mounting <ul style="list-style-type: none"> <li>— forwards</li> <li>— upwards</li> <li>— downwards</li> <li>— at the side</li> </ul> </li> <li>● for grounded parts <ul style="list-style-type: none"> <li>— forwards</li> <li>— upwards</li> <li>— at the side</li> <li>— downwards</li> </ul> </li> <li>● for live parts <ul style="list-style-type: none"> <li>— forwards</li> <li>— upwards</li> <li>— downwards</li> <li>— at the side</li> </ul> </li> </ul>	10 mm 10 mm 10 mm 0 mm  10 mm 10 mm 6 mm 10 mm  10 mm 10 mm 10 mm 6 mm
<b>Connections/ Terminals</b>	
<b>type of electrical connection</b>	
<ul style="list-style-type: none"> <li>● for main current circuit</li> <li>● for auxiliary and control circuit</li> <li>● at contactor for auxiliary contacts</li> <li>● of magnet coil</li> </ul>	spring-loaded terminals spring-loaded terminals Spring-type terminals Spring-type terminals
<b>type of connectable conductor cross-sections</b>	
<ul style="list-style-type: none"> <li>● for main contacts <ul style="list-style-type: none"> <li>— solid</li> <li>— solid or stranded</li> <li>— finely stranded with core end processing</li> <li>— finely stranded without core end processing</li> </ul> </li> <li>● for AWG cables for main contacts</li> </ul>	2x (0.5 ... 4 mm <sup>2</sup> ) 2x (0,5 ... 4 mm <sup>2</sup> ) 2x (0.5 ... 2.5 mm <sup>2</sup> ) 2x (0.5 ... 2.5 mm <sup>2</sup> ) 2x (20 ... 12)
<b>connectable conductor cross-section for main contacts</b>	
<ul style="list-style-type: none"> <li>● solid</li> <li>● stranded</li> <li>● finely stranded with core end processing</li> <li>● finely stranded without core end processing</li> </ul>	0.5 ... 4 mm <sup>2</sup> 0.5 ... 4 mm <sup>2</sup> 0.5 ... 2.5 mm <sup>2</sup> 0.5 ... 2.5 mm <sup>2</sup>
<b>connectable conductor cross-section for auxiliary contacts</b>	
<ul style="list-style-type: none"> <li>● solid or stranded</li> <li>● finely stranded with core end processing</li> <li>● finely stranded without core end processing</li> </ul>	0.5 ... 4 mm <sup>2</sup> 0.5 ... 2.5 mm <sup>2</sup> 0.5 ... 2.5 mm <sup>2</sup>
<b>type of connectable conductor cross-sections</b>	
<ul style="list-style-type: none"> <li>● for auxiliary contacts <ul style="list-style-type: none"> <li>— solid or stranded</li> <li>— finely stranded with core end processing</li> <li>— finely stranded without core end processing</li> </ul> </li> <li>● for AWG cables for auxiliary contacts</li> </ul>	2x (0,5 ... 4 mm <sup>2</sup> ) 2x (0.5 ... 2.5 mm <sup>2</sup> ) 2x (0.5 ... 2.5 mm <sup>2</sup> ) 2x (20 ... 12)
<b>AWG number as coded connectable conductor cross</b>	20 ... 12

section for main contacts	
AWG number as coded connectable conductor cross section for auxiliary contacts	20 ... 12

**Safety related data**

<b>product function</b>	
• mirror contact according to IEC 60947-4-1	No
• positively driven operation according to IEC 60947-5-1	No
• suitable for safety function	Yes
suitability for use safety-related switching OFF	Yes
<b>service life maximum</b>	20 a
<b>test wear-related service life necessary</b>	Yes
<b>proportion of dangerous failures</b>	
• with low demand rate according to SN 31920	40 %
• with high demand rate according to SN 31920	73 %
<b>B10 value with high demand rate according to SN 31920</b>	1 000 000
<b>failure rate [FIT] with low demand rate according to SN 31920</b>	100 FIT
<b>ISO 13849</b>	
<b>device type according to ISO 13849-1</b>	3
<b>overdimensioning according to ISO 13849-2 necessary</b>	Yes
<b>IEC 61508</b>	
<b>safety device type according to IEC 61508-2</b>	Type A
<b>Electrical Safety</b>	
<b>protection class IP on the front according to IEC 60529</b>	IP20
<b>touch protection on the front according to IEC 60529</b>	finger-safe, for vertical contact from the front

**Approvals Certificates**

<b>Environmental Product Declaration</b>	
• global warming potential [CO2 eq] / during manufacturing	1.42 kg
• global warming potential [CO2 eq] / during operation	152 kg
• global warming potential [CO2 eq] / after end of life	-0.305 kg
• global warming potential [CO2 eq] / total	153 kg
<b>Environment</b>	<b>General Product Approval</b>

[Environmental Confirmations](#)



<b>General Product Approval</b>	<b>EMV</b>	<b>Test Certificates</b>
---------------------------------	------------	--------------------------



EG-Konf.



RCM

[Special Test Certificate](#)

[Type Test Certificates/Test Report](#)

**Maritime application**



ABS



BUREAU VERITAS



DNV



LRS



PRS



RINA

<b>Maritime application</b>	<b>other</b>	<b>Railway</b>	<b>Dangerous goods</b>
-----------------------------	--------------	----------------	------------------------



RMRS

[Confirmation](#)



[Miscellaneous](#)

[Special Test Certificate](#)

[Transport Information](#)

**Further information**

Information on the packaging

<https://support.industry.siemens.com/cs/ww/en/view/109813875>

Information for data generation and storage

<https://support.industry.siemens.com/cs/ww/en/view/109995012>

Information- and Downloadcenter (Catalogs, Brochures,...)

<https://www.siemens.com/ic10>

Industry Mall (Online ordering system)

<https://mall.industry.siemens.com/mall/en/en/Catalog/product?mlfb=3RT2015-2SB41>

Service&Support (Manuals, Certificates, Characteristics, FAQs,...)

<https://support.industry.siemens.com/cs/ww/en/ps/3RT2015-2SB41>

Image database (product images, 2D dimension drawings, 3D models, device circuit diagrams, EPLAN macros, ...)

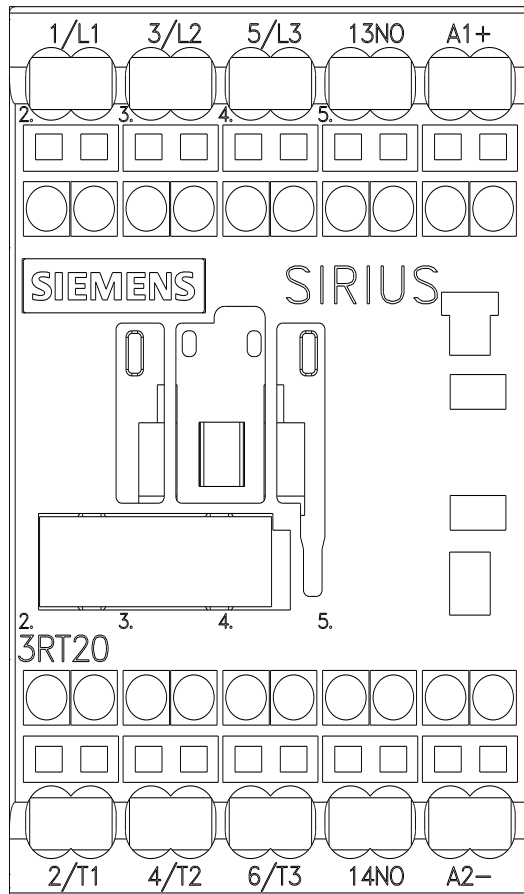
[https://www.automation.siemens.com/bilddb/cax\\_de.aspx?mlfb=3RT2015-2SB41&lang=en](https://www.automation.siemens.com/bilddb/cax_de.aspx?mlfb=3RT2015-2SB41&lang=en)

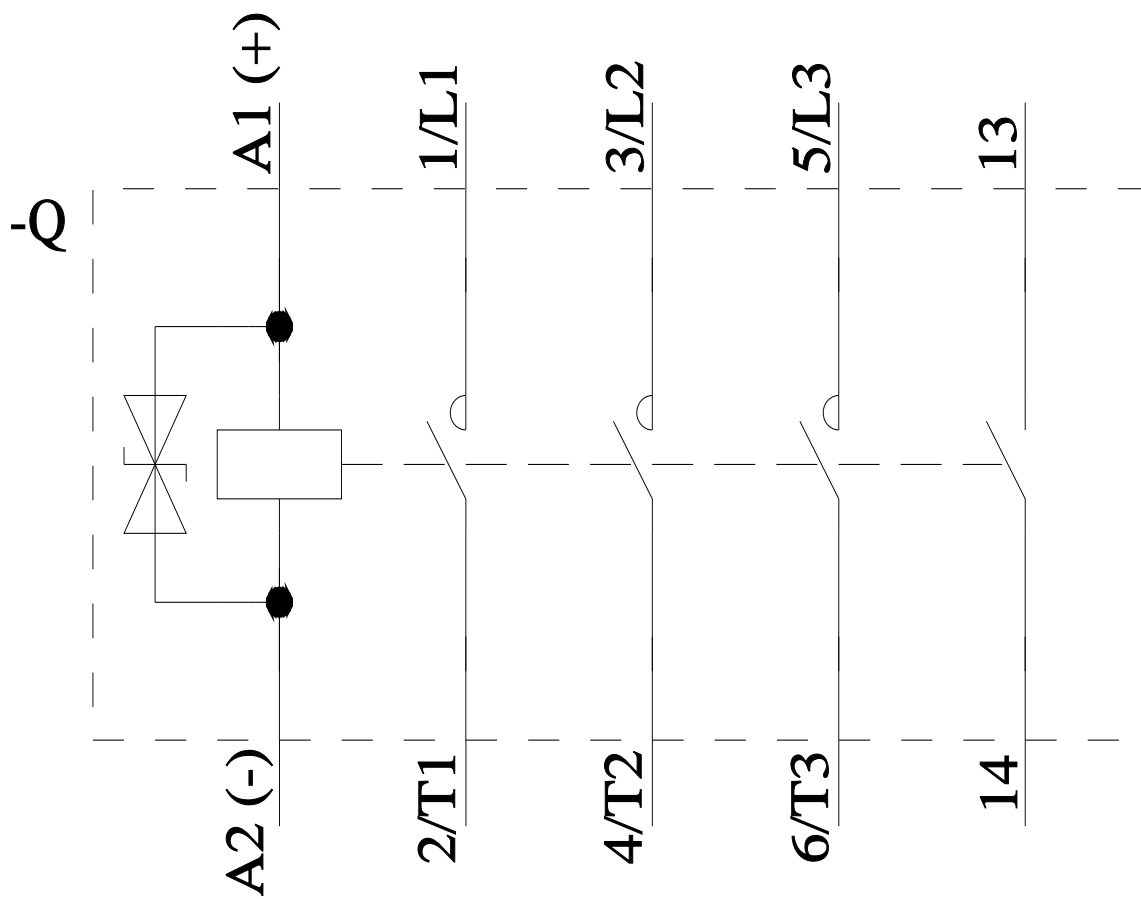
Cax online generator

<https://support.automation.siemens.com/WW/CAXorder/default.aspx?lang=en&mlfb=3RT2015-2SB41>

Characteristic curves

[https://curves.simaris.siemens.com/curves/<mmp\\_prod\\_noCOMP="HAUPT"></mmp\\_prod\\_no>](https://curves.simaris.siemens.com/curves/<mmp_prod_noCOMP=)





last modified:

4/4/2026 