

momentary-contact foot switch, 2-pedal with cover, without latching, metal enclosure IP65, cable entry M25 x 1.5 slow-action contacts 1 NO+1 NC per pedal



<b>product brand name</b>	SIRIUS
<b>product designation</b>	momentary-contact foot switch
<b>product type designation</b>	3SE29
suitability for use safety switch	No
<b>General technical data</b>	
<b>protection class IP</b>	IP65
<b>mechanical service life (operating cycles) typical</b>	1 000 000
<b>reference code according to IEC 81346-2</b>	S
<b>Substance Prohibitance (day/month/year)</b>	07/01/2006
<b>SVHC substance name</b>	Lead CAS-No. 7439-92-1
<b>Net Weight</b>	2.984 kg
<b>number of switching steps</b>	1
<b>number of the actuation pedals</b>	2
<b>minimum actuating force in directions of actuation</b>	15 N
<b>Ambient conditions</b>	
ambient temperature during operation	-25 ... +80 °C
<b>number of NC contacts for auxiliary contacts</b>	1
<b>number of NO contacts for auxiliary contacts</b>	1
<b>operational current at AC-15</b>	
• at 230 V rated value	16 A
• at 400 V rated value	16 A
<b>operational current at DC-13</b>	
• at 24 V rated value	3 A
• at 250 V rated value	0.25 A
<b>Enclosure</b>	
<b>material of the enclosure</b>	metal
<b>color</b>	
• of the enclosure	black
• of the enclosure top part	grey
<b>Actuator</b>	
<b>product feature</b>	
• interlock	No
• latching	No
<b>cable entry type</b>	M25 x 1.5
<b>Installation/ mounting/ dimensions</b>	
<b>height</b>	140 mm
<b>width</b>	284 mm
<b>depth</b>	267 mm
<b>Safety related data</b>	

<b>proportion of dangerous failures</b>	
• with low demand rate according to SN 31920	50 %
• with high demand rate according to SN 31920	50 %
<b>B10 value with high demand rate according to SN 31920</b>	1 000 000
<b>failure rate [FIT] with low demand rate according to SN 31920</b>	100 FIT
<b>IEC 61508</b>	
T1 value for proof test interval or service life according to IEC 61508	20 a

#### Approvals Certificates

<b>General Product Approval</b>	<b>Test Certificates</b>
---------------------------------	--------------------------



[Miscellaneous](#)

<b>Maritime application</b>	<b>other</b>	<b>Environment</b>
-----------------------------	--------------	--------------------



[Confirmation](#)

[Confirmation](#)



[Environmental Confirmations](#)

#### Further information

##### Information on the packaging

<https://support.industry.siemens.com/cs/ww/en/view/109813875>

##### Information for data generation and storage

<https://support.industry.siemens.com/cs/ww/en/view/109995012>

##### Information- and Downloadcenter (Catalogs, Brochures,...)

<https://www.siemens.com/ic10>

##### Industry Mall (Online ordering system)

<https://mall.industry.siemens.com/mall/en/en/Catalog/product?mlfb=3SE2932-0AA20>

##### Cax online generator

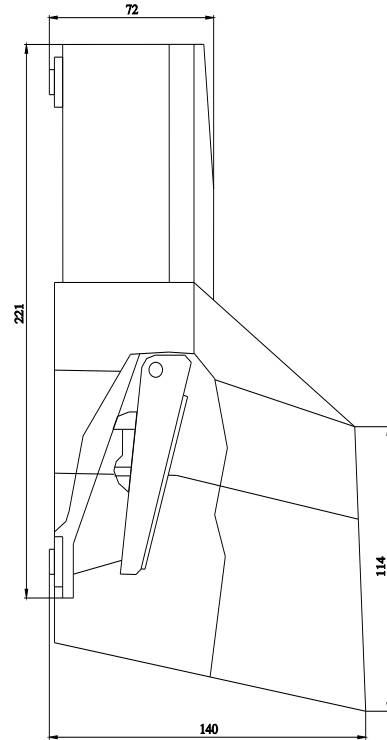
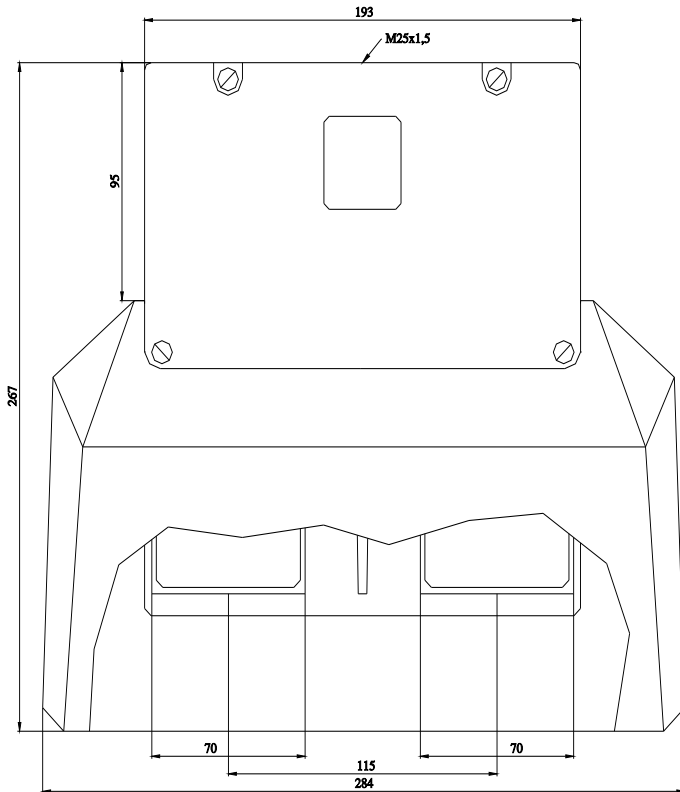
<https://support.automation.siemens.com/WW/CAXorder/default.aspx?lang=en&mlfb=3SE2932-0AA20>

##### Service&Support (Manuals, Certificates, Characteristics, FAQs,...)

<https://support.industry.siemens.com/cs/ww/en/ps/3SE2932-0AA20>

##### Image database (product images, 2D dimension drawings, 3D models, device circuit diagrams, EPLAN macros, ...)

[https://www.automation.siemens.com/bilddb/cax\\_de.aspx?mlfb=3SE2932-0AA20&lang=en](https://www.automation.siemens.com/bilddb/cax_de.aspx?mlfb=3SE2932-0AA20&lang=en)



**Pedal 1**

**Pedal 2**

