

# Product data sheet

Specifications



Limit switch, XC Standard, XCKJ, steel roller lever, 1C/O, snap action, 1/2NPT

XCKJ110513H7

## Main

Range of product	Telemecanique Limit switches XC Standard
Series name	Standard format
Product or component type	Limit switch
Device short name	XCKJ
Sensor design	-
Body type	Plug-in body
Head type	Rotary head
Material	Metal
Body material	Zamak
Head material	Zamak
Fixing mode	By the body
Movement of operating head	Rotary
Type of operator	Spring return roller lever metal
Type of approach	Lateral approach, 1 or 2 programmable direction
Cable entry	1 entry tapped for 1/2" NPT cable gland
Number of poles	1
Contacts type and composition	1 C/O
Contact operation	Snap action

## Complementary

Switch actuation	By 30° cam
Electrical connection	Screw-clamp terminals 1 x 0.75...2 x 1.5 mm <sup>2</sup>
Contacts insulation form	Zb
Number of steps	1
Positive opening	Without
Minimum torque for tripping	2.21 lbf.in (0.25 N.m)
Maximum actuation speed	4.92 ft/s (1.5 m/s)
[Ie] rated operational current	3 A 240 V, AC-15, A300 EN/IEC 60947-5-1 appendix A 0.27 A 250 V, DC-13, Q300 EN/IEC 60947-5-1 appendix A

<b>[Ithe] conventional enclosed thermal current</b>	10 A
<b>[Ui] rated insulation voltage</b>	300 VUL 508 500 V 3)IEC 60947-1 300 VCSA C22.2 No 14
<b>Maximum resistance across terminals</b>	25 MOhm IEC 60255-7 category 3
<b>[Uimp] rated impulse withstand voltage</b>	6 kV IEC 60664 6 kV IEC 60947-1
<b>Short-circuit protection</b>	10 A cartridge fuse gG
<b>Electrical durability</b>	5000000 cycles, DC-13, inductive, 120 V, 4 W 60 cyc/mn 0.5 IEC 60947-5-1 appendix C 5000000 cycles, DC-13, inductive, 24 V, 10 W 60 cyc/mn 0.5 IEC 60947-5-1 appendix C 5000000 cycles, DC-13, inductive, 48 V, 7 W 60 cyc/mn 0.5 IEC 60947-5-1 appendix C
<b>Mechanical durability</b>	30000000 cycles
<b>Width</b>	1.69 in (43 mm)
<b>Height</b>	3.31 in (84 mm)
<b>Depth</b>	1.42 in (36 mm)
<b>Net weight</b>	1.08 lb(US) (0.49 kg)
<b>Terminals description ISO n°1</b>	(11-12)NC (13-14)NO

## Environment

<b>Shock resistance</b>	50 gn 11 ms IEC 60068-2-27
<b>Vibration resistance</b>	25 gn 10...500 Hz)IEC 60068-2-6
<b>IP degree of protection</b>	IP66 IEC 60529
<b>IK degree of protection</b>	IK07 EN 50102
<b>Overvoltage category</b>	Class I IEC 61140 Class I NF C 20-030
<b>Ambient air temperature for operation</b>	-13...158 °F (-25...70 °C)
<b>Ambient air temperature for storage</b>	-40...158 °F (-40...70 °C)
<b>Protective treatment</b>	TH
<b>Product certifications</b>	UL CSA CCC
<b>Standards</b>	CSA C22.2 No 14 EN 60947-5-1 CENELEC EN 50041 EN 60204-1 IEC 60947-5-1 UL 508 IEC 60204-1

## Packing Units

<b>Unit Type of Package 1</b>	PCE
<b>Number of Units in Package 1</b>	1
<b>Package 1 Height</b>	1.69 in (4.3 cm)
<b>Package 1 Width</b>	2.64 in (6.7 cm)
<b>Package 1 Length</b>	5.00 in (12.7 cm)
<b>Package 1 Weight</b>	18.45 oz (523.0 g)

## Offer Sustainability

<b>REACH Regulation</b>	<a href="#">REACH Declaration</a>
-------------------------	-----------------------------------

---

<b>EU RoHS Directive</b>	Not applicable, out of EU RoHS legal scope
--------------------------	--

---

<b>Environmental Disclosure</b>	<a href="#">Product Environmental Profile</a>
---------------------------------	---

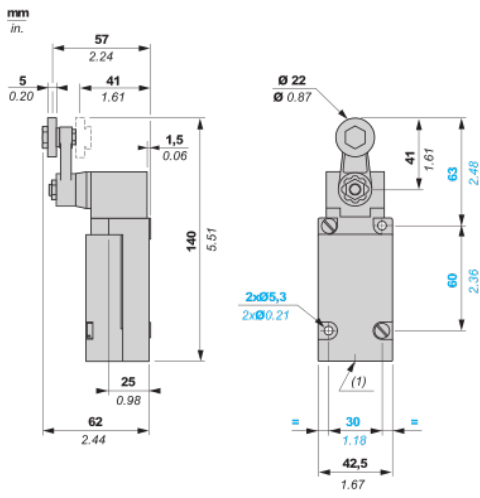
---

## **Contractual warranty**

---

<b>Warranty</b>	18 months
-----------------	-----------

Dimensions

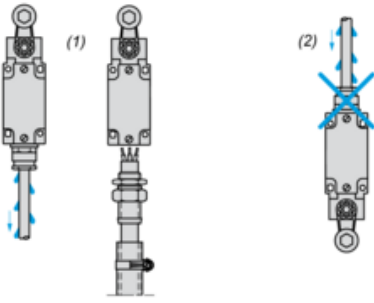


(1) 1 tapped entry 1/2" NPT

**Mounting with Cable Entry**

---

**Position of Cable Gland**

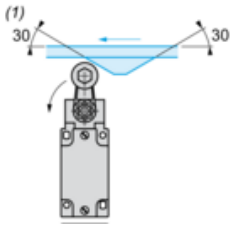


- (1) Recommended
- (2) To be avoided

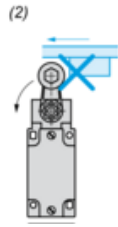
**Mounting with Rotary Heads and Levers**

---

**Type of Cam**



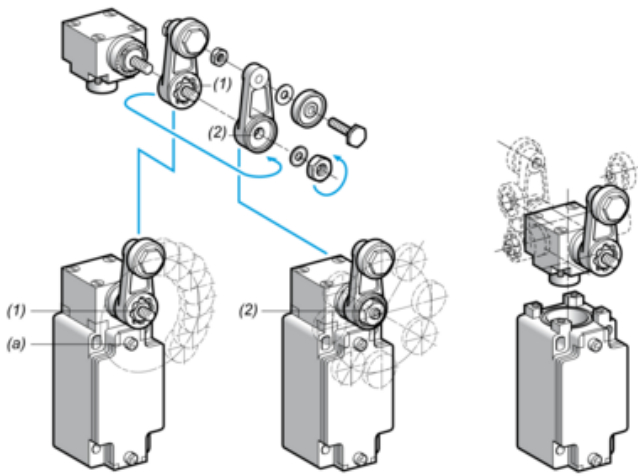
(1) Recommended



(2) To be avoided

**Setting-up with Lever Head**

---



- (1) 5° steps throughout 360° / Tightening torque (Min : 1) (Max : 1.5)
- (2) 45° steps throughout 360° / Tightening torque (Min : 1) (Max : 1.5)
- (a) Tightening torque (Min : 1) (Max : 1.5)

**Setting-up with Head ZCKE05**

---

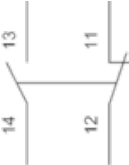
**Direction of Actuation Programming**



**Wiring Diagram**

---

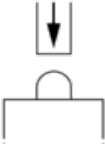
**Single-pole CO Snap Action**



**Characteristics of Actuation**

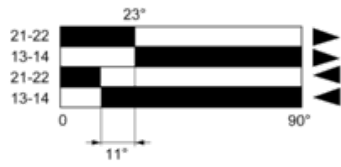
---

**Switch Actuation on End**



**Functionnal Diagram**

---



- (1) Closed
- (2) Open
- (3) Tripping
- (4) Resetting

- (1) Closed
- (2) Open
- (3) Tripping
- (4) Resetting

**Recommended replacement(s)**