

# Product data sheet

Specifications



## switch disconnecter EasyPact CVS400NA, 3 poles, 400 A, AC22A, AC23A

LV540400

⚠ Discontinued

### Main

|   |  |
|---|--|
| Range of product                            | EasyPact CVS400...630  |
| Range                                       | EasyPact   |
| Product name                                | EasyPact CVS   |
| Device short name                           | CVS400NA   |
| Product or component type                   | Switch disconnecter  |
| Device application                          | Distribution   |
| Poles description                           | 3P   |
| Network type                                | AC   |
| [Ie] rated operational current              | AC-22A: 400 A AC 50/60 Hz 220/240 V<br>AC-22A: 400 A AC 50/60 Hz 380/415 V<br>AC-22A: 400 A AC 50/60 Hz 440 V<br>AC-23A: 400 A AC 50/60 Hz 220/240 V<br>AC-23A: 400 A AC 50/60 Hz 380/415 V<br>AC-23A: 400 A AC 50/60 Hz 440 V |
| [Ith] conventional free air thermal current | 400 A at 50 °C   |
| [Icm] rated short-circuit making capacity   | 105 kA with upstream protection circuit breaker<br>7.1 kA switch-disconnector alone  |
| Breaking capacity code                      | NA   |
| Suitability for isolation                   | Yes conforming to EN 60947-3<br>Yes conforming to IEC 60947-3  |
| Utilisation category                        | AC-23A<br>AC-22A   |
| Earth-leakage protection                    | Without  |

### Complementary

|  |   |
|--|---|
| Network frequency                        | 50/60 Hz  |
| Control type                             | Toggle  |
| Mounting mode                            | Fixed   |
| Mounting support                         | Backplate   |
| Upside connection                        | Front   |
| Downside connection                      | Front   |
| [Icw] rated short-time withstand current | 5 kA during 1 s conforming to IEC 60947-3<br>5 kA during 3 s conforming to IEC 60947-3<br>1.93 kA during 20 s conforming to IEC 60947-3 |
| Contact position indicator               | Yes   |

List Price displayed is VAT EXCLUSIVE.

|                       |  |
|-----------------------|--|
| Visible break         | No   |
| Mechanical durability | 15000 cycles conforming to IEC 60947-3   |
| Electrical durability | AC-22A: 4000 cycles 415 V AC 50/60 Hz In conforming to IEC 60947-3<br>AC-23A: 4000 cycles 415 V AC 50/60 Hz In conforming to IEC 60947-3 |
| Connection pitch      | 45 mm  |
| Height                | 255 mm   |
| Width                 | 140 mm   |
| Depth                 | 110 mm   |
| Net weight            | 6.05 kg  |

## Environment

|                                       |                             |
|---------------------------------------|-----------------------------|
| Standards                             | IEC 60947-3<br>EN 60947-3   |
| Product certifications                | IEC<br>GOST                 |
| Electrical shock protection class     | Class II                    |
| Pollution degree                      | 3 conforming to IEC 60664-1 |
| Ambient air temperature for operation | -25...70 °C                 |
| Ambient air temperature for storage   | -50...85 °C                 |

## Packing Units

|                              |           |
|------------------------------|-----------|
| Unit Type of Package 1       | PCE       |
| Number of Units in Package 1 | 1         |
| Package 1 Height             | 15.300 cm |
| Package 1 Width              | 15.500 cm |
| Package 1 Length             | 29.000 cm |
| Package 1 Weight             | 4.895 kg  |
| Unit Type of Package 2       | S04       |
| Number of Units in Package 2 | 3         |
| Package 2 Height             | 30.000 cm |
| Package 2 Width              | 40.000 cm |
| Package 2 Length             | 60.000 cm |
| Package 2 Weight             | 15.385 kg |

## Contractual warranty

|                      |    |
|----------------------|----|
| Warranty (in months) | 18 |
|----------------------|----|



## Environmental Data

Schneider Electric aims to achieve Net Zero status by 2050 through supply chain partnerships, lower impact materials, and circularity via our ongoing “Use Better, Use Longer, Use Again” campaign to extend product lifetimes and recyclability.

[Environmental Data explained >](#)

[How we assess product sustainability >](#)



### Environmental footprint

|  |   |
|--|---|
| Total lifecycle Carbon footprint                       | 849 kg CO2 eq.                                |
| Carbon footprint of the manufacturing phase [A1 to A3] | 17 kg CO2 eq.                                 |
| Carbon footprint of the distribution phase [A4]        | 0.3 kg CO2 eq.                                |
| Carbon footprint of the installation phase [A5]        | 0.4 kg CO2 eq.                                |
| Carbon footprint of the use phase [B2, B3, B4, B6]     | 826 kg CO2 eq.                                |
| Carbon footprint of the end-of-life phase [C1 to C4]   | 5 kg CO2 eq.                                  |
| Environmental Disclosure                               | <a href="#">Product Environmental Profile</a> |

## Use Better



### Materials and Substances

|  |   |
|--|---|
| Packaging made with recycled cardboard | Yes   |
| Packaging without single use plastic   | No, we have minimized the use of plastic in the packaging in compliance with regulations and considering quality and safety standards |
| SCIP Number                            | C622fd85-96e4-4086-85a0-8be61a4b5d6b  |
| PVC free                               | Yes   |

## Use Longer



### Lifetime extension

|        |    |
|--------|----|
| Repair | No |
|--------|----|

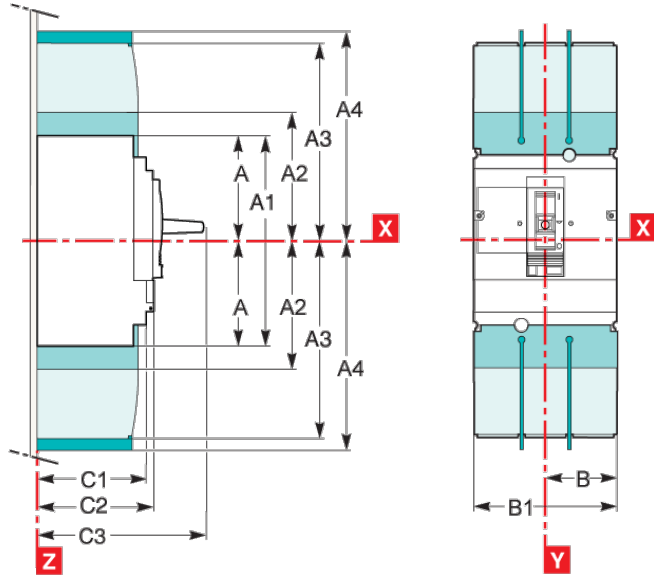
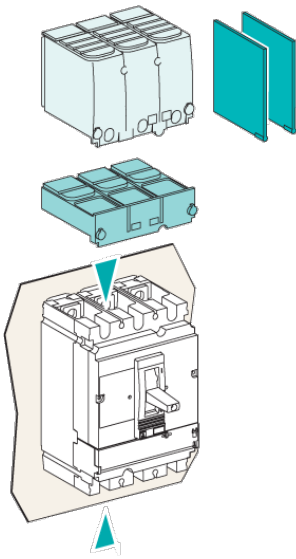
## Use Again



### Repack and remanufacture

|                                 |   |
|---------------------------------|---|
| Recyclability potential, in %   | 53  |
| End of life manual availability | <a href="#">End of Life Information</a>   |
| Take-back                       | No  |
| WEEE Label                      |  The product must be disposed on European Union markets following specific waste collection and never end up in rubbish bins |

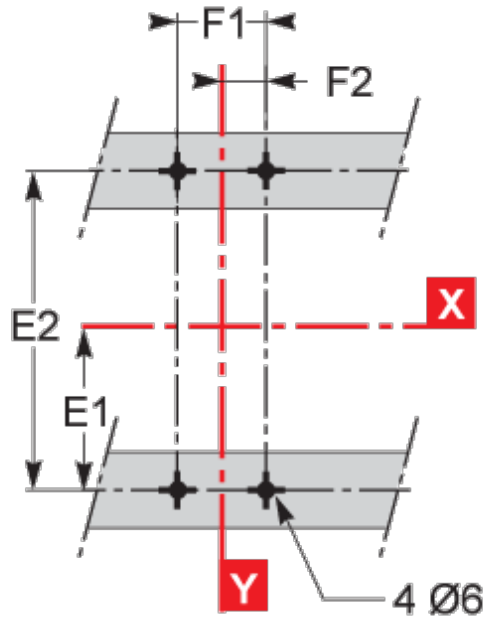
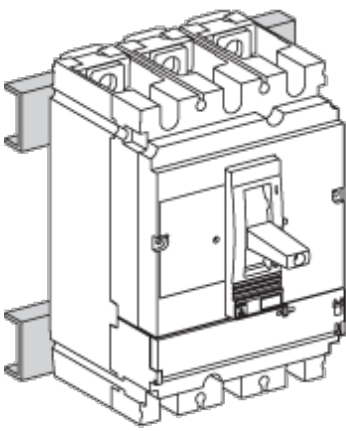
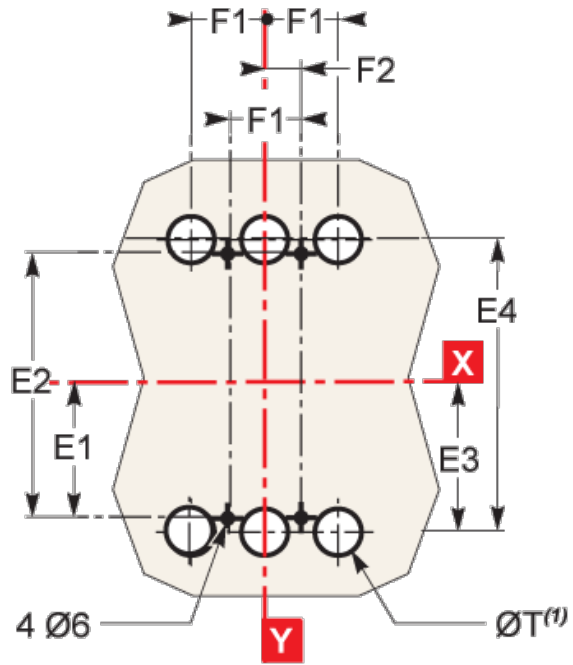
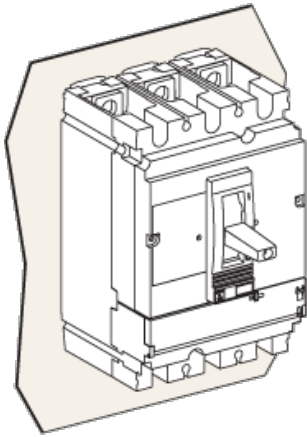
Dimensions Drawings



| Type           | A     | A1    | A2    | A3    | A4    | A5    | A6  | A7    | A8   | A9    | B    | B1  | B2   | C1   | C2   | C3                 | E1   |
|----------------|-------|-------|-------|-------|-------|-------|-----|-------|------|-------|------|-----|------|------|------|--------------------|------|
| CVS100/160/250 | 80.5  | 161   | 94    | 145   | 178.5 | 155.5 | 236 | 169   | 220  | 253.5 | 52.5 | 105 | 140  | 81   | 86   | 111 <sup>(2)</sup> | 62.5 |
| CVS400/630     | 127.5 | 255   | 142.5 | 200   | 237   | 227.5 | 355 | 242.5 | 300  | 337   | 70   | 140 | 185  | 95.5 | 110  | 168                | 100  |
| Type           | E2    | E3    | E4    | E5    | E6    | E7    | E8  | F1    | F2   | F3    | G1   | G2  | G3   | G4   | G5   | ØT                 | U    |
| CVS100/160/250 | 125   | 70    | 140   | 137.5 | 200   | 145   | 215 | 35    | 17.5 | 70    | 95   | 75  | 13.5 | 23   | 17.5 | 24                 | y 32 |
| CVS400/630     | 200   | 113.5 | 227   | 200   | 300   | 213.5 | 327 | 45    | 22.5 | 90    | -    | -   | -    | -    | -    | 32                 | y 35 |

(2) C3=126mm for EasyPact CVS250B/F.

Assembly



| Type           | A     | A1    | A2    | A3    | A4    | A5    | A6  | A7    | A8   | A9    | B    | B1  | B2   | C1   | C2   | C3                 | E1   |
|----------------|-------|-------|-------|-------|-------|-------|-----|-------|------|-------|------|-----|------|------|------|--------------------|------|
| CVS100/160/250 | 80.5  | 161   | 94    | 145   | 178.5 | 155.5 | 236 | 169   | 220  | 253.5 | 52.5 | 105 | 140  | 81   | 86   | 111 <sup>(2)</sup> | 62.5 |
| CVS400/630     | 127.5 | 255   | 142.5 | 200   | 237   | 227.5 | 355 | 242.5 | 300  | 337   | 70   | 140 | 185  | 95.5 | 110  | 168                | 100  |
| Type           | E2    | E3    | E4    | E5    | E6    | E7    | E8  | F1    | F2   | F3    | G1   | G2  | G3   | G4   | G5   | ØT                 | U    |
| CVS100/160/250 | 125   | 70    | 140   | 137.5 | 200   | 145   | 215 | 35    | 17.5 | 70    | 95   | 75  | 13.5 | 23   | 17.5 | 24                 | y 32 |
| CVS400/630     | 200   | 113.5 | 227   | 200   | 300   | 213.5 | 327 | 45    | 22.5 | 90    | -    | -   | -    | -    | -    | 32                 | y 35 |

(2) C3=126mm for EasyPact CVS250B/F.

Offer Marketing Illustration

Product benefits / Features

---

## EasyPact CVS Moulded Case Circuit Breaker



**Safe**

Unlock unparalleled safety and control with our wire's unique ability to safely isolate and replace auxiliaries, even with an energized circuit breaker.



**Reliable**

It meets IEC 60947-2 standards for quality, high endurance, and fault current limitation technology, providing superior safety and protection.



**Simple**

Effortless retrofitting and seamless upgrades for enhanced flexibility and performance.



Offer Marketing Illustration

Product benefits / Features

---

## EasyPact CVS Technical Benefits



- MCCB with adjustable setting, rated from 16 to 630A in 3 standard sizes
- Breaking capacity from 25 to 50kA at 400/415V, 3 and 4 pole versions
- Vast range of protection options, thermal-magnetic, electronic and earth leakage
- Deliver a high level of performance and cost-saving functionality
- Coordinated with selectivity and cascading for ACBs, MCCBs, MCBs

Offer Marketing Illustration

Product benefits / Features

---



## EasyPact CVS Range Accessories



Cable connectors



Terminal extension - Spreader



Terminal extension



Auxiliary contact



Terminal shield



Interphase barriers



Direct rotary handle



Extended rotary handle



Earth leakage protection

Technical Illustration

Assembly's dimensions

---

