

Product datasheet

Specifications



passive filter - 450 A - 460 V - 60 Hz - for variable speed drive

VW3A46157

⚠ Discontinued on: 15 Aug 2024

⚠ Discontinued

Main

Product or component type	Passive filter
Product specific application	Reduction of current harmonics

Complementary

Range compatibility	Altivar 71 Altivar 61 Altivar Process ATV600 Altivar Process ATV900
[Us] rated supply voltage	480 V +/- 10 %
power supply frequency	60 Hz +/- 2 %
Quantity per drive	2 filters per drive for variable speed drive ATV61H motor: 280 kW/450 hp 2 filters per drive for variable speed drive ATV71H motor: 280 kW/450 hp 2 filters per drive for variable speed drive ATV61Q motor: 280 kW/450 hp 3 filters per drive for variable speed drive ATV61H motor: 560 kW/800 hp 3 filters per drive for variable speed drive ATV61Q motor: 560 kW/800 hp 2 filters per drive for variable speed drive ATV71H motor: 250 kW/400 hp 1 filter per drive for variable speed drive ATV61Q motor: 220 kW/350 hp 1 filter per drive for variable speed drive ATV71Q motor: 220 kW/350 hp 2 filters per drive for variable speed drive ATV61H motor: 250 kW/400 hp 1 filter per drive for variable speed drive ATV630 wall mount, motor: 250 kW/400 hp 2 filters per drive for variable speed drive ATV930 wall mount, motor: 250 kW/400 hp
[In] rated current	450 A for output 436 A for input
Network number of phases	3 phases
THDI	10 % for variable speed drive ATV61H motor: 280 kW/450 hp 10 % for variable speed drive ATV71H motor: 280 kW/450 hp 10 % for variable speed drive ATV61Q motor: 280 kW/450 hp 10 % for variable speed drive ATV61H motor: 560 kW/800 hp 10 % for variable speed drive ATV61Q motor: 560 kW/800 hp 10 % for variable speed drive ATV71H motor: 250 kW/400 hp 10 % for variable speed drive ATV61Q motor: 220 kW/350 hp 10 % for variable speed drive ATV71Q motor: 220 kW/350 hp 10 % for variable speed drive ATV61H motor: 250 kW/400 hp 10 % for variable speed drive ATV630 motor: 250 kW/400 hp 10 % for variable speed drive ATV930 motor: 250 kW/400 hp
Max current	1.5 x nominal current (duration = 60 s)
Efficiency	98 %
Thermal losses	1524 W
Cos phi	1 (150 % of line current) 0.85 (75 % of line current) 0.99 (100 % of line current)
Electrical connection	A, B terminal, connection capacity: 2.5 mm ² X1-1...X2-3 terminal, connection capacity: 25...300 mm ²
Electrical insulation class	Class F

Excluding VAT, FCA Jabal Ali & amp; are subject to change – check with your local distributor.

Net weight	205 kg
------------	--------

Environment

IP degree of protection	IP20 IP55 (enclosure mounting)
-------------------------	-----------------------------------

Vibration resistance	2 mm peak to peak (f= 5...13.2 Hz) conforming to IEC 60068-2-6 0.7 gn (f= 13.2...150 Hz) conforming to IEC 60068-2-6
----------------------	---

Relative humidity	5...85 % without condensation
-------------------	-------------------------------

Ambient air temperature for operation	45...60 °C (with current derating 3 % per °C) 5...45 °C (without current derating)
---------------------------------------	---

Ambient air temperature for storage	-25...55 °C storage in original packaging -25...65 °C during transport
-------------------------------------	---

Operating altitude	<= 1000 m without current derating > 1000...4000 m with current derating 5 % per 1000 m
--------------------	--

Standards	G5/4 engineering recommendation IEC 61000-2-2 IEC 61000-3-2 IEC 61000-3-12 IEC 61000-2-4 IEC 61000-3-4
-----------	---

Packing Units

Unit Type of Package 1	PCE
------------------------	-----

Number of Units in Package 1	1
------------------------------	---

Package 1 Height	71.000 cm
------------------	-----------

Package 1 Width	80.000 cm
-----------------	-----------

Package 1 Length	120.000 cm
------------------	------------

Package 1 Weight	229.6 kg
------------------	----------

Contractual warranty

Warranty (in months)	18
----------------------	----



Environmental Data

Schneider Electric aims to achieve Net Zero status by 2050 through supply chain partnerships, lower impact materials, and circularity via our ongoing “Use Better, Use Longer, Use Again” campaign to extend product lifetimes and recyclability.

[Environmental Data explained >](#)

[How we assess product sustainability >](#)

Use Better



Materials and Substances

EU RoHS Directive

[Compliant](#)

Use Longer



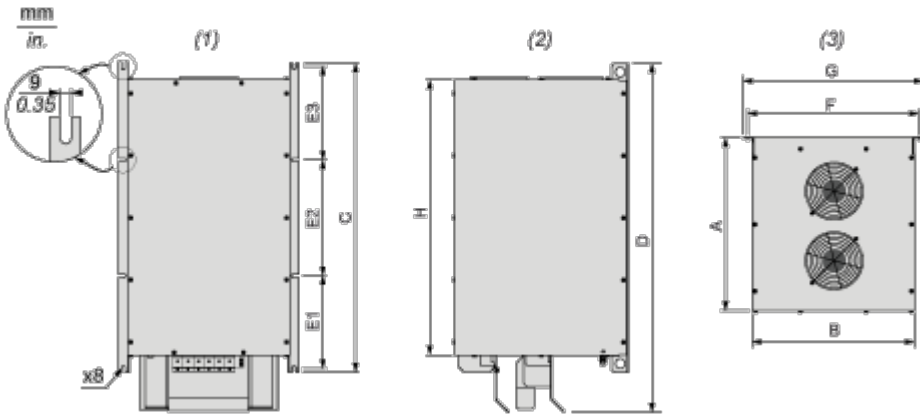
Lifetime extension

Repair

No

Dimensions Drawings

Dimensions



- (1) Front view
- (2) Right side view
- (3) Top view

Dimensions in mm

A	B	C	D	E1	E2	E3	F	G	H
510	420	800	900.06	240	300	240	443	468	713

Dimensions in in.

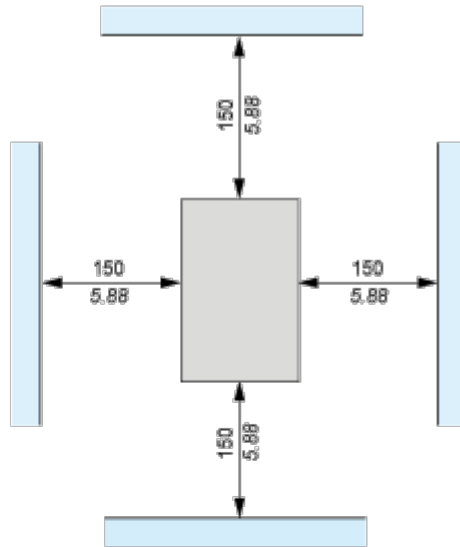
A	B	C	D	E1	E2	E3	F	G	H
20.00	16.54	31.50	35.43	9.45	11.81	9.45	17.44	18.43	28.07

Mounting and Clearance

Mounting Recommendations

Vertical Mounting Only

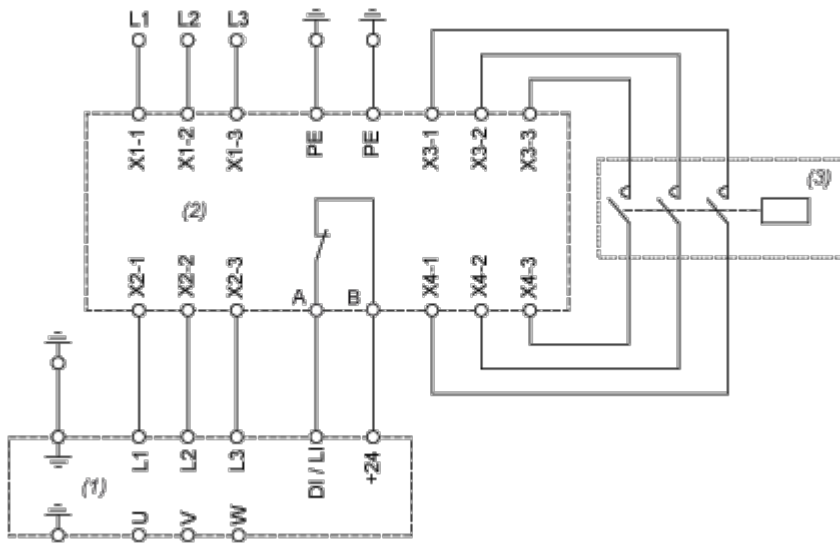
mm
in.



(1) Filter

Connections and Schema

Recommended Schema



- (1) Drive
- (2) Filter
- (3) Optional