



Surge suppressor VARISTOR For plugging onto contactors 3RT7 S00

product brand name	SIRIUS		
product category	Surge suppressor		
product designation	Varistor		
product type designation	3RT79		
<b>General technical data</b>			
certificate of suitability	CE		
size of contactor	S00		
Substance Prohibitance (day/month/year)	06/15/2022		
Net Weight	6.2 g		
type of voltage of the control supply voltage	AC/DC		
control supply voltage at AC			
• at 50 Hz rated value	0 V		
• at 50 Hz rated value	48 ... 127 V		
• at 60 Hz rated value	48 ... 127 V		
control supply voltage frequency			
• 1 rated value	50 Hz		
• 2 rated value	60 Hz		
control supply voltage at DC rated value	0 V		
control supply voltage at DC rated value	70 ... 150 V		
design of the surge suppressor	Varistor		
<b>Ambient conditions</b>			
ambient temperature			
• during operation	-10 ... +55 °C		
• during storage	-25 ... +70 °C		
<b>Installation/ mounting/ dimensions</b>			
mounting position	any		
fastening method	clip-on		
height	46 mm		
width	28 mm		
depth	9 mm		
<b>Approvals Certificates</b>			
Environment	General Product Approval	EMV	other

[Environmental Confirmations](#)



[Confirmation](#)



Information on the packaging

<https://support.industry.siemens.com/cs/ww/en/view/109813875>

Information for data generation and storage

<https://support.industry.siemens.com/cs/ww/en/view/109995012>

Information- and Downloadcenter (Catalogs, Brochures,...)

<https://www.siemens.com/ic10>

Industry Mall (Online ordering system)

<https://mall.industry.siemens.com/mall/en/en/Catalog/product?mlfb=3RT7916-1BC00>

Cax online generator

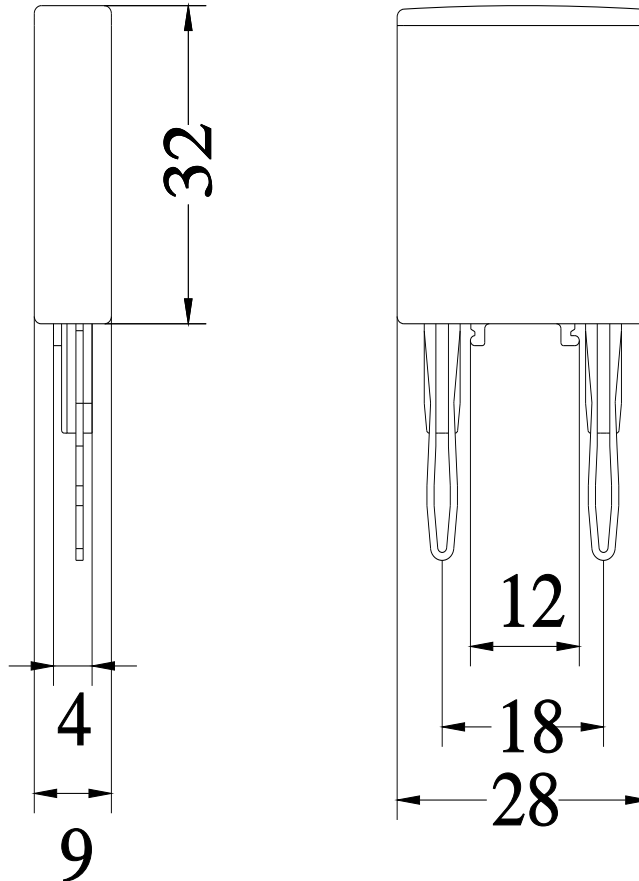
<https://support.automation.siemens.com/WW/CAXorder/default.aspx?lang=en&mlfb=3RT7916-1BC00>

Service&Support (Manuals, Certificates, Characteristics, FAQs,...)

<https://support.industry.siemens.com/cs/ww/en/ps/3RT7916-1BC00>

Image database (product images, 2D dimension drawings, 3D models, device circuit diagrams, EPLAN macros, ...)

[https://www.automation.siemens.com/bilddb/cax\\_de.aspx?mlfb=3RT7916-1BC00&lang=en](https://www.automation.siemens.com/bilddb/cax_de.aspx?mlfb=3RT7916-1BC00&lang=en)



last modified:

4/3/2025